



MODEL JS007

- /// WELS 6 Star Pre-Rinse gun for efficient water usage
- /// Swing Faucet Pot Filler for all kitchen requirements
- /// Wall support bracket adds stability
- /// 2 flexible hose connections for fast installation
- /// Fast 1/4 turn ceramic spindles are easier to use
- /// Designed in Australia - quality you can trust
- /// Australia-wide backup and service for peace of mind
- /// 13 months on-site parts and labour warranty



Designed and tested by professionals, JETSpray Pre-Rinse units provide the perfect answer for your kitchen.

Supplied with a 6 Star Rated Pre-Rinse Gun, JETSpray comes standard with a 200mm swing faucet pot filler to provide the perfect answer for your kitchen pre-rinse and pot-filler needs.

WELS & Watermark approved, the JETSpray JS007 Pre Rinse offers unparalleled performance, quality and reliability at a competitive price, designed by the people who use them.

FSM (FOOD SERVICE MACHINERY PTY. LTD.)
HEAD OFFICE: UNIT E6, 63-85 TURNER STREET,
PORT MELBOURNE, VIC. 3207 AUSTRALIA
T: +61 3 8645 2555 F: +61 3 8645 2565
E: sales@fsm-pl.com.au W: www.fsm-pl.com.au

SYDNEY OFFICE:
UNIT 15, 7-9 PROGRESS CIRCUIT,
PRESTONS, NSW 2170 AUSTRALIA
T: +61 2 9608 8620 F: +61 2 9607 9370
E: sales@fsm-pl.com.au W: www.fsm-pl.com.au

QUEENSLAND:
T: 0400 099 992
E: sales@fsm-pl.com.au
W: www.fsm-pl.com.au



Specifications JS007

Conforms with AS/NZS3718, AS4020 AND AS/NZS6400

Minimum Pressure: 10 Kpa

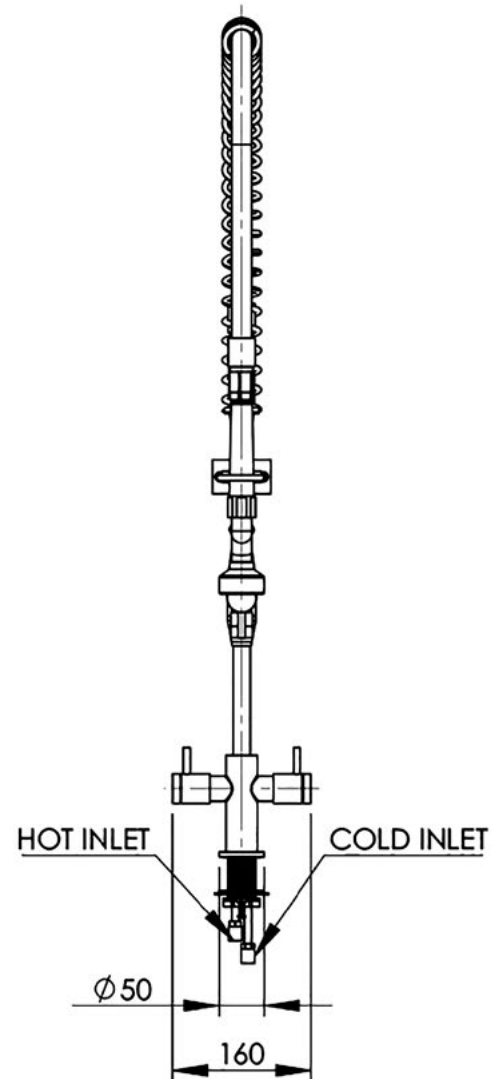
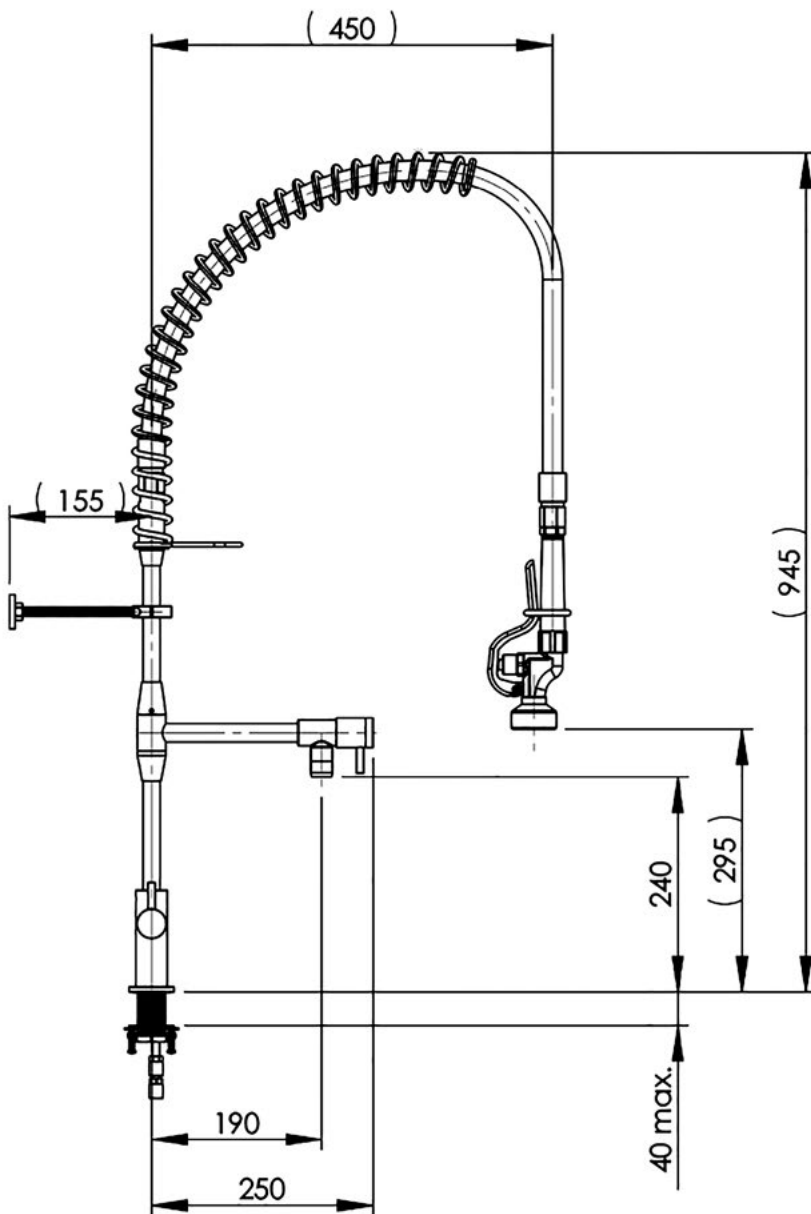
Maximum Pressure: 500Kpa

All units should be installed with isolating stop valves.

Overall product dimensions: 1097H x 360D x 152mmW

Packed weight: 6.5Kgs

Package Dimensions: 293W x 590L x 80mmH



FSM (FOOD SERVICE MACHINERY PTY. LTD.)
HEAD OFFICE: UNIT E6, 63-85 TURNER STREET,
PORT MELBOURNE, VIC. 3207 AUSTRALIA
T: +61 3 8645 2555 F: +61 3 8645 2565
E: sales@fsm-pl.com.au W: www.fsm-pl.com.au

SYDNEY OFFICE:
UNIT 15, 7-9 PROGRESS CIRCUIT,
PRESTONS, NSW 2170 AUSTRALIA
T: +61 2 9608 8620 F: +61 2 9607 9370
E: sales@fsm-pl.com.au W: www.fsm-pl.com.au

QUEENSLAND:
T: 0400 099 992
E: sales@fsm-pl.com.au
W: www.fsm-pl.com.au