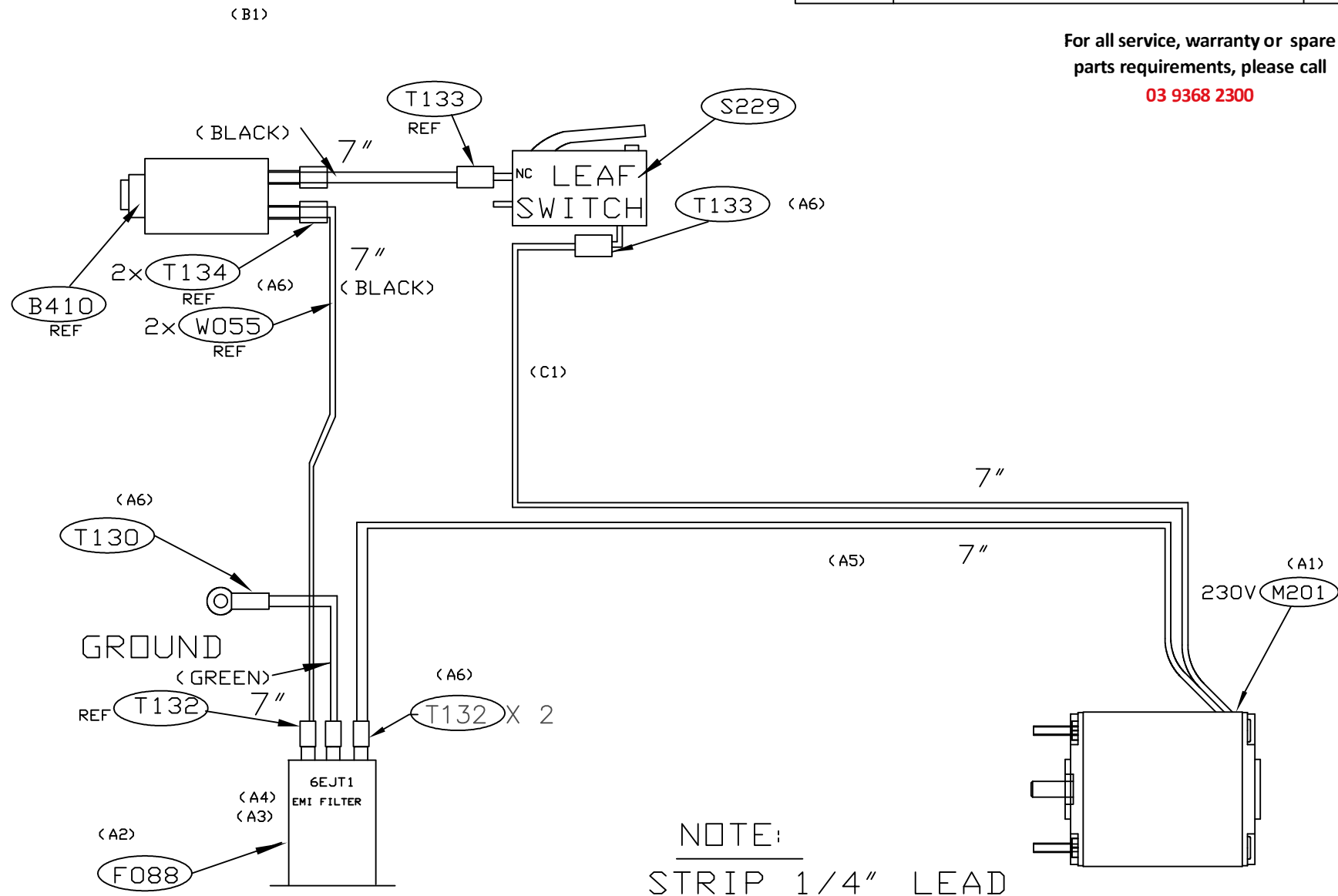



REV/ECN	DESCRIPTION	BY	DATE
2600	A1) WAS M164, A2) WAS F066, A3) REMOVE C099, A4) REMOVE R023, A5) REMOVE C091, A6) ADD T130, T131, T132, T133, T134	TW	11/01/10
2897	B1) REMOVED	MIG	12/20/12
3438	C1) REMOVED 6" JUMPER CABLE	BW	12/18/15

For all service, warranty or spare parts requirements, please call
03 9368 2300



UNLESS OTHERWISE SPECIFIED		3RD ANGLE PROJECTION	 Excellence since 1976	Drawn By: TW	Date: 07/21/10	Model: 266	Drawing #: ES262
.000 = ± .005	Angular Dims ± 1°			Size: A	Scale: NTS	Ref: 2031WIREDC	
.00 = ± .010	Units In: Inches	Description: ELECTRICAL SCHEMATIC, 266 230V DC		Revision: C		1 of 1	
.0 = ± .020	Angles In: Degrees						
© 2004 EDLUND CO. LLC. ALL RIGHTS RESERVED							