



Decorative Lamps/ Luminaires

Models: DLL-, DL- or DLH-400, -500, -600, -700, -725, -750, -760, -775, -800, -1100, -1400, -1500, -1600, -1700, -1800, -2100, -2200, -2300, -2400

Hatco Decorative Lamps provide radiant heat to briefly hold food warm at kitchen work areas, wait staff pickup stations or customer serving points, while enhancing your décor. Versatile enough for almost any location, the range of lights are available with a selection of unlimited personalized choices. In addition to food warming, configurations for display lighting are offered as well.

Standard features

- Luminaire (Low Watt), Standard and High Watt bulbs available (bulb not included in unit price)
- Models available in nineteen lamp shade styles
- Eight different mounting arrangements to choose from
- Up to four switch options (Lower switch not available on DL-2100, -2200, -2300 or -2400)
- Available for food holding and display or lighting only applications
- Track Adapter available in 120 volt only

NOTE:
Decorative Lamps (DLL, DL or DLH Series) are non-returnable.

Build Your Decorative/Luminaire Lamp in Six Easy Steps

(not for retrofit-bulb not included) –

- Step 1** Electrical
- Step 2** Mounting Style
- Step 3** Switch Location
- Step 4** Shade Style
- Step 5** Shade and Canopy Colors
- Step 6** Overall Length



You can develop your own Hatco Decorative Lamp solutions with our online lamp configurator.

Visit "www.hatcocorp.com" and click on "Build a Lamp"

• IFS anti-microbial coatings use naturally-occurring, environmentally sustainable, silver ions to help inhibit the growth of microbes on the powder coated surface. See www.hatcocorp.com/antimicrobial-paint for more information.

For operation, location and safety information, please refer to the Installation and Operating Manual.

Project _____

Item # _____

Quantity _____



(From left to right-top photo) DL-800-CTR, -750-CL, -400-ASU, -725-SU, -775-RCL, -600-SL, -500-SU, -760-ASL, -700-SU, -1100-CR, -1500-CTR and -1400-CU
(From left to right-inset photo) DL-2300-ASN, -2200-SU, -2100-SR, -1800-RCL, -2400-SU, -1600-RCL and -1700-ASU

Options (available at time of purchase only)

Designer Colors (Exception: DL-1500) [■]

- Warm Red Black Gray Granite White Granite
- Navy Blue Hunter Green Antique Copper

Gloss Finishes (Exception: DL-1500) [■]

- Smooth White Gleaming Gold Glossy Gray Bold Black

Gloss Finishes* for Shade Only (Exception: DL-1500)

- Radiant Red Brilliant Blue Clear Brushed Metal

Plated Finishes* (Exception: DL-1500) [■]

- Bright Brass Bright Nickel Bright Copper
- Antique Nickel Antique Brass Antique Bronze

DLX-1500 Color Combinations only [■]

- Designer Finishes Black/Antique Copper/Black
- Gloss Finishes Bold Black/Radiant Red/Bold Black*
- Gloss Bold Black/Plated Bright Nickel/Gloss Bold Black*
- Gloss Bold Black/Plated Antique Nickel/Gloss Bold Black*
- Gloss Bold Black/Plated Bright Copper/Gloss Bold Black*

*Special process required and extended lead times

Cord Color (C=Cord & RC=Retractable Cord Mounts only)

- Black (Standard) White

Luminaire Lighting (100W bulb maximum, not included)

Extended Electrical Leads – For any ASU, SU, ASL, SL, ASR or SR mount unit, must specify lead length

- 1'-5" (305-1524 mm) 6'-10" (1829-3048 mm)
- 11'-15" (3353-4572 mm) 16'-20" (4877-6096 mm)

Accessories

Track Mount Bar - (120V only, maximum 16 amps per any length of track)[§]

- 4' (1219 mm) Black White
- 8' (2438 mm), two 4' (1219 mm) with Coupler Black White
- 12' (3657 mm), three 4' (1219 mm) with Couplers Black White
- 16' (4876 mm), four 4' (1219 mm) with Couplers Black White

Additional Track Installation and Modification Kit[§]: Black White

[§] Only sold in the United States and Canada

Overall length may not add up to the exact desired size for 8', 12' or 16' options due to cumulative deductions for each 4' section used

16 Amp Lamp Toggle Switch

Coated Bulbs, Luminaire models only: 120V, 40W Clear 240V, 40W Clear

Coated Bulbs: 120V, 250W Clear 240V, 250W Clear 120V, 250W Red 120V, 375W Coated Bulbs for DLH models only

Uncoated Bulbs: 120V, 250W Clear 240V, 250W Clear 120V, 250W Red 120V, 375W Clear for DLH models only





Decorative Lamps/Luminaires

Models: DLL-, DL- or DLH-400, -500, -600, -700, -725, -750, -760, -775, -800, -1100, -1400, -1500, -1600, -1700, -1800, -2100, -2200, -2300, -2400

ORDERING INSTRUCTIONS

Please refer to the six steps in the Hatco Foodservice Equipment Price List or go online at www.hatcocorp.com and click on "Build A Lamp". This will help you in choosing the correct configuration for your specific needs.

Step 1-Electrical

Model	Maximum Watt Bulb (Not included)	Voltage Single Phase	Approx. Ship Weight [▲]
DLL- (Luminaire)	100	120, 240	6-10 lbs. (3-5 kg)
DL- (Standard)	250	120, 240	6-10 lbs. (3-5 kg)
DLH- (High Watt)	375	120, 240	6-10 lbs. (3-5 kg)

◀ Not field convertible ▲ Depending on components

Step 2-Mounting Style

MOUNTING STYLES	SPECIFY the:	Shade Height		
		8.5" H (216 mm)	10.5" H (267 mm)	
CORD	C Mount [Ⓞ] Cord Mount to canopy. 	Overall Length	17" (432 mm) to any length	19" (483 mm) to any length
	CT Mount ^{Ⓞ§} Cord Mount to track adapter. 			
RETRACTABLE CORD	RC Mount [Ⓞ] Retractable Cord Mount. 	Adjusts to a maximum and minimum according to shade height	24" to 72" (610 to 1829 mm)	27" to 75" (686 to 1905 mm)
	RCT Mount ^{*Ⓞ§} Retractable Cord Mount to track adapter. 		27" to 75" (686 to 1905 mm)	29" to 77" (737 to 1956 mm)
STEM	S Mount [Ⓞ] Rigid Stem Mount to canopy. 	Overall Length	14" to 71" (356 to 1803 mm)	16" to 73" (483 to 1854 mm)
	ST Mount ^{*Ⓞ§} Rigid Stem Mount to track adapter. 		17" to 71" (432 to 1803 mm)	19" to 73" (483 to 1854 mm)

MOUNTING STYLES	SPECIFY the:	Shade Height	
		8.5" H (216 mm)	10.5" H (267 mm)
ADJUSTABLE	AS Mount [Ⓞ] At install only, limited height adjustments with Rigid Stem Mount to canopy. 	ASU, ASR, ASN	
		14" to 16" 16" to 19½" 20" to 27" 27" to 42" 42" to 72"	16" to 18" 18" to 21½" 22" to 29" 29" to 44" 44" to 74"
	AST Mount ^{*Ⓞ§} At install only, limited height adjustments with Rigid Stem Mount to track adapter. 	ASL	
		16" to 17" 18" to 22" 22" to 28" 29" to 43" 44" to 73"	18" to 19" 20" to 24" 24" to 30" 31" to 45" 46" to 75"
		ASTR, ASTN	
		16" to 18" 18" to 21" 22" to 29" 30" to 44" 45" to 74"	18" to 20" 20" to 23" 24" to 31" 32" to 46" 47" to 76"
		ASTL	
		18" to 19" 20" to 23" 24" to 31" 31" to 45" 46" to 75"	20" to 21" 22" to 25" 26" to 33" 33" to 47" 47" to 77"

Ⓞ Mounting style not available with a lower switch for DL-2100, -2200, -2300, or -2400.
 Ⓞ Not available for DL-2100, -2200, -2300 or -2400.
 § Only available in the United States and Canada

* NOTE: Lamp shade diameter and wattage may limit number of lamps per track
 Maximum 1920 watts or 16 amps per any length of track. To assure warranty coverage, do not install track systems in damp or wet locations (including above steam tables).
 Track adapter available for 120V only.

Step 3-Switch Location

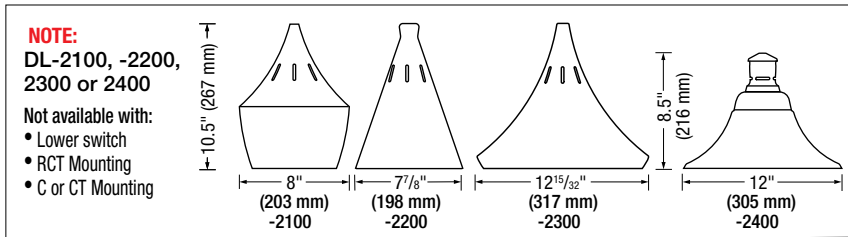
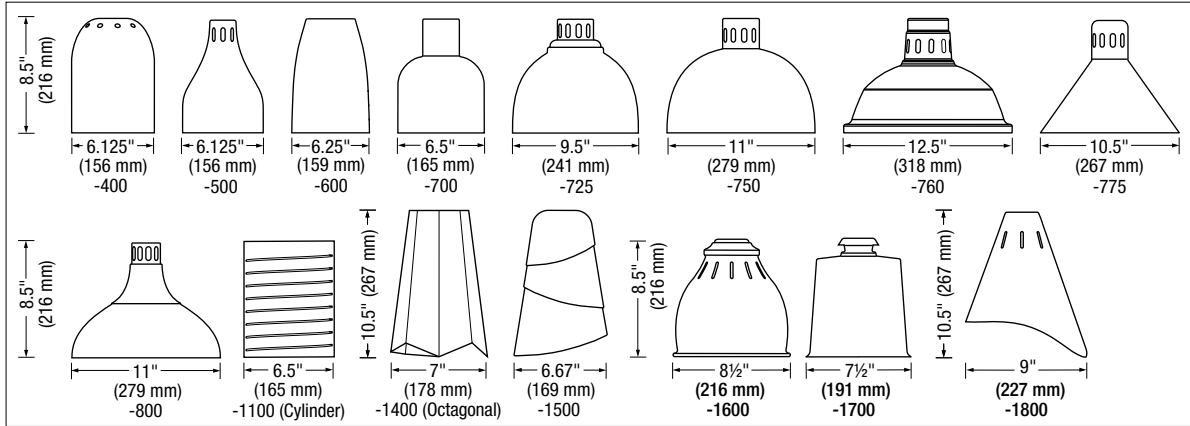
(N)-None Supplied by installer	(L)-Lower Switch (Horizontal toggle) 	Not available on: • DLH (High Watt models) • 2X00 shade styles	(R)-Remote Switch • Accommodates 16 amps • Up to seven 250W lamps, or five 375W lamps maximum per remote switch 	(U)-Upper Switch Not available on: • DLH (High Watt models) • RC Mounts • Track Mounts (CT, RCT, ST, AST)
--	--	--	--	--



Decorative Lamps/Luminaires

Models: DLL-, DL- or DLH-400, -500, -600, -700, -725, -750, -760, -775, -800, -1100, -1400, -1500, -1600, -1700, -1800, -2100, -2200, -2300, -2400


Step 4-Shade Style (height and width shown)



Step 5-Shade and Canopy Colors - Click on www.hatcocorp.com (Order Literature/Brochures/Sales Literature/Color Chip Chart) or see the [Hatco Price List](#) for color representations.

Shade and Canopy Colors	
Designer Colors	Warm Red, Black, Gray Granite, White Granite, Navy Blue, Hunter Green, Antique Copper
Gloss Finishes	Smooth White, Gleaming Gold, Glossy Gray, Bold Black Shade Only* : Radiant Red, Brilliant Blue, Clear Brushed Metal
Plated Finishes*	Bright Brass, Bright Nickel, Bright Copper, Antique Nickel, Antique Brass, Antique Bronze

*Special Process Required and Extended Lead Times

DLX-1500 Shade and Canopy Colors		
Designer Black/ Antique Copper/ Black	Gloss Bold Black*/ Plated Bright Nickel/ Gloss Bold Black	
Gloss Bold Black*/ Plated Antique Nickel/ Gloss Bold Black	Gloss Bold Black*/ Plated Bright Copper/ Gloss Bold Black	Gloss Bold Black*/ Radiant Red/ Bold Black

DLX-2400
Top Cap color available in standard Black



Step 6-Overall Unit Length

- For C, CT, S, ST, AS or AST Mounts: From ceiling to bottom of warmer lamp shade (#6 in drawing).
- For Clearance: See "Clearance Requirements" in the Hatco Price List Ordering Instructions.

