



Decorative Carving Stations

Models: DCS400-1, -1CM

DCSB2-R24-1, -2420-1, -3624-2

An eye-catching solution for carving and serving, the Hatco Decorative Carving Station features a stylish Decorative Lamp and is available in multiple configurations, including post mount, counter mount, and freestanding models with an integrated heated simulated stone base. Designed to deliver both visual appeal and reliable performance, these stations are ideal for chef-served presentations in restaurants, hotels, country clubs, casinos, and catered events.

Standard features

- Available as freestanding (DCSB2 models) with a round or rectangular heated simulated stone base, post mount (DCS400-1 models), or counter mount (DCS400-1CM models)
- Patented telescoping heated lamp(s) with a 30° shade pivot adjust to accommodate food products, putting the heat and light where it is needed most
- The height of the heat lamp(s) is adjustable, measured from the bottom of the lampshade to the countertop (DCS400 models) or cutting board (DCSB2 models):
 - DCSB2 models: 14" to 26" (356 to 600 mm)
 - DCS400 models: 16" to 28" (406 to 711 mm)
- Clear coated, 250 watt bulb(s) included
- Models with simulated stone finishes are Swanstone®

DCSB2-R24-1, -2420-1, -3624-2:

- Include a thermostatically controlled heated base
- Sneeze guard is 5" (127 mm) above the heated base for easy accessibility and is removable for easy cleaning
- Heated bases and cutting boards are made of foodsafe materials
- Cutting board matches colors of heated base

DCS400-1:

- Includes a black base for stability and to minimize the risk of tipping

DCS400-1CM:

- Designed to be mounted to a countertop with a simulated stone trim ring

Project _____

Item # _____

Quantity _____



DCS400-1CM with optional Plated finish Antique Bronze post & shade and optional Ice simulated stone trim ring

DCS400-1 with standard Plated finish Bright Nickel post & shade and optional Birch simulated stone post base.

DCSB2-R24-1 with standard Plated finish Bright Nickel post & shade and standard Ash Gray simulated stone heated base

DCSB2-2420-1 with optional Plated finish Antique Brass post & shade and standard Ash Gray simulated stone heated base

DCSB2-3624-2 with optional Plated finish Bright Copper post & shade and optional Birch simulated stone heated base



Options (available at time of purchase only)

Plated Finishes – For Post and Decorative Lamp Shade – Non-standard colors are non-returnable:

- Bright Brass Bright Nickel (standard) Bright Copper
- Antique Brass Antique Bronze

Simulated Stone Finishes – Swanstone – For Post Base (DCS400-1 model only), Trim Ring (DCS400-1CM model only), and Heated Base & Cutting Board (DCSB2 models only) – Non-standard colors are non-returnable:

- Ash Gray (standard) Birch Ice

Accessories

- Coated Red Bulb, 250 Watt

For colors and finishes, please refer to the Color Chip Chart.

For operation, location and safety information, please refer to the Installation and Operating Manual.

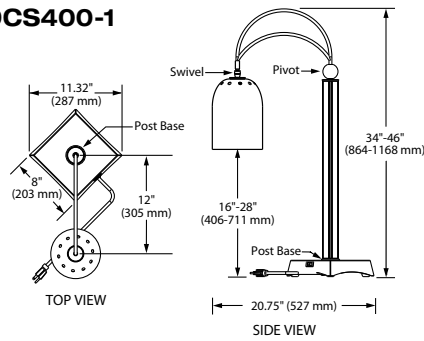




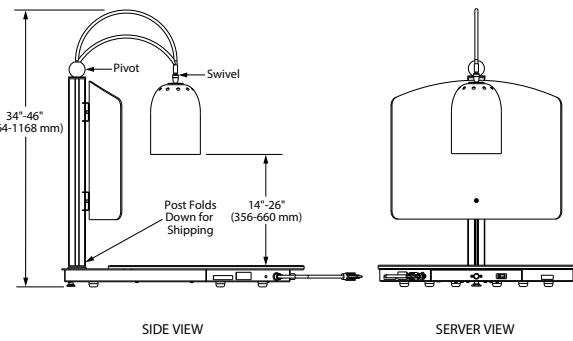
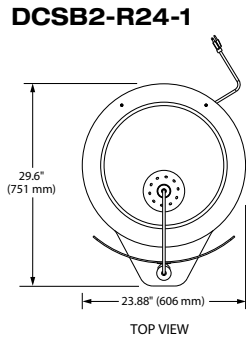
Decorative Carving Stations

Models: DCS400-1, DCS400-1CM, DCSB2-R24-1, DCSB2-2420-1, DCSB2-3624-2

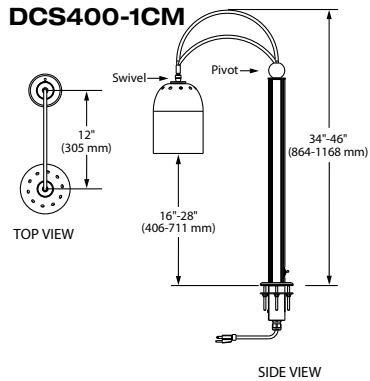
DCS400-1



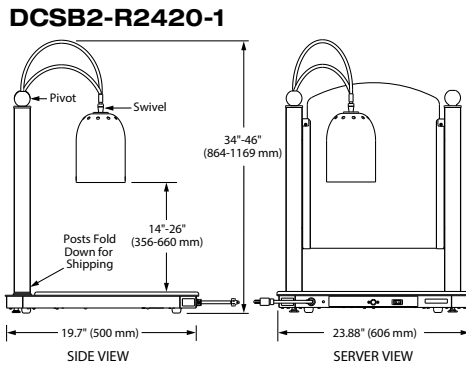
DCSB2-R24-1



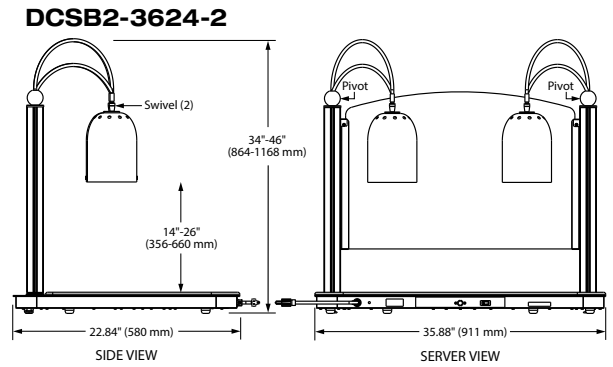
DCS400-1CM



DCSB2-R2420-1



DCSB2-3624-2



SPECIFICATIONS Decorative Carving Stations - All Single Phase

■ The shaded areas contain electrical information for International models only

| Model | Dimensions (W x D x H) | Heated Base Surface (W x D) | Voltage | Watts | Amps | Plug | Cord Location | Approx. Ship Weight |
|--------------|--|-----------------------------|----------|-------|------|---------------------------------|-----------------------------------|---------------------|
| DCS400-1 | 8" x 20.75" x 34"-46" (203 x 527 x 864-1168 mm) | — | 120 | 250 | 2.1 | NEMA 5-15P | Server side center, base of unit | 32 lbs. (15 kg) |
| | | | 220 (CE) | 210 | 1.0 | CEE 7/7 Schuko, AS3112, BS-1363 | | |
| | | | 230 (CE) | 230 | 1.1 | | | |
| | | | 240 (CE) | 250 | 1.1 | | | |
| DCS400-1CM | 6.125" x 20.75" x 34"-46" (156 x 527 x 864-1168 mm) | — | 120 | 250 | 2.1 | NEMA 5-15P | Bottom of unit | 18 lbs. (9 kg) |
| | | | 220 (CE) | 210 | 1.0 | CEE 7/7 Schuko, AS3112, BS-1363 | | |
| | | | 230 (CE) | 230 | 1.1 | | | |
| | | | 240 (CE) | 250 | 1.1 | | | |
| DCSB2-R24-1 | 26"W x 27.06"D x 34"-46"H (660 x 687 x 864-1168 mm) | Diameter: 24" (609 mm) | 120 | 600 | 5.0 | NEMA 5-15P | Server side on left, base of unit | 75 lbs. (34 kg) |
| | | | 220 (CE) | 530 | 2.4 | CEE 7/7 Schuko, AS3112, BS-1363 | | |
| | | | 230 (CE) | 580 | 2.5 | | | |
| | | | 240 (CE) | 631 | 2.6 | | | |
| DCSB2-2420-1 | 23.88" x 23.95" x 34"-46" (606 x 608 x 864-1168 mm) | 24" x 20" (609 x 508 mm) | 120 | 750 | 6.3 | NEMA 5-15P | Server side on left, base of unit | 82 lbs. (38 kg) |
| | | | 220 (CE) | 667 | 3.0 | CEE 7/7 Schuko, AS3112, BS-1363 | | |
| | | | 230 (CE) | 730 | 3.2 | | | |
| | | | 240 (CE) | 794 | 3.3 | | | |
| DCSB2-3624-2 | 35.88" x 24" x 34"-46" (911 x 610 x 864-1168 mm) | 36" x 24" (914 x 609 mm) | 120 | 1300 | 10.8 | NEMA 5-15P | Server side on left, base of unit | 128 lbs. (60 kg) |
| | | | 220 (CE) | 1152 | 5.2 | CEE 7/7 Schuko, AS3112, BS-1363 | | |
| | | | 230 (CE) | 1259 | 5.5 | | | |
| | | | 240 (CE) | 1371 | 5.7 | | | |

PLUG CONFIGURATIONS

