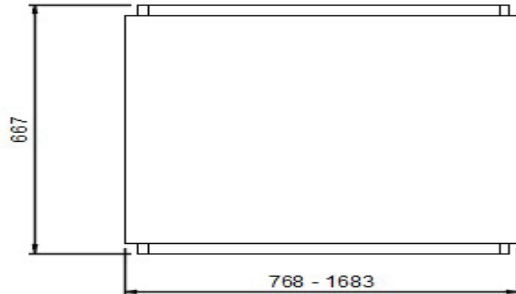
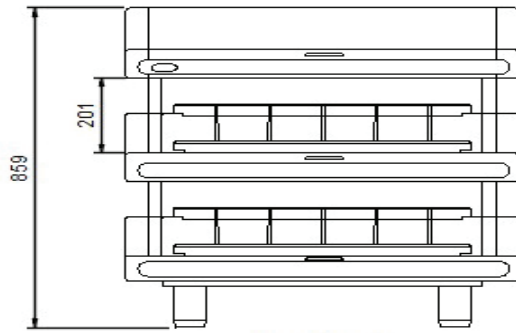


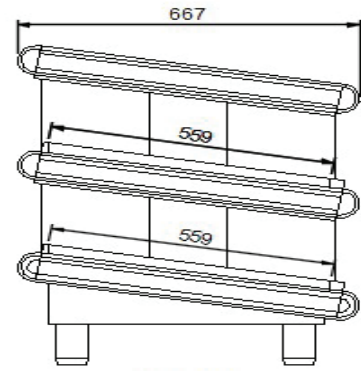
# SPECIFICATION SHEET MODEL: GR2SDS-24D, GR2SDS-30D GR2SDS-36D, GR2SDS-41D GR2SDS-52D, GR2SDS-60D



TOP VIEW



FRONT VIEW



SIDE VIEW

## STANDARD FEATURES

- Shelves are slanted for the convenience of self-service
- Models have pre-focused infrared top heat directing heat to the outer edges of the holding surface where heat loss is the greatest
- Thermostatically-controlled, hardcoated heated base has a temperature range of 85°- 93°C
- Coated shatter-resistant incandescent lights enhance product display while safeguarding food products from bulb breakage
- NSF require units over 914 mm in width or weighing more than 36 kg to be either sealed, or raised on the installation surface with the 102 mm legs included
- Standard units shipped with: tempered glass side panels, hardcoated shelves, coated shatter-resistant incandescent lights, adjustable dividers, 102 mm legs, and a 1829 mm cord with plug

Hatco's Glo-Ray Designer Slant Merchandising Display Warmers are designed specifically to hold hot wrapped or boxed product safely, and at proper serving temperatures while enhancing your setting with style and color. With pre-focused infrared top heat and a thermostatically controlled hardcoated heated base, they excel at extending the holding times of most food, offering the convenience of self-serve and the efficiency of kitchen-to-server holding.

## SPECIFICATIONS

Model	Dimension (WxDxH)	Ship Weight	Voltage	Watts	Amps	Plug
GR2SDS-24D	768 x 677 x 859mm	73kg	120	1640	13.7	NEMA 5-15P
GR2SDS-30D	921 x 677 x 859mm	84kg	120/208/240	2040	8.5	NEMA- L14-20P
GR2SDS-36D	1073 x 677 x 859mm	91kg	120/208/240	2440	10.2	NEMA L14-20P
GR2SDS-42D	1226 x 677 x 859mm	99kg	120/208/240	2980	125.4	NEMA L14-20P
GR2SDS-48D	1378 x 677 x 859mm	116kg	120/208/240	3380	14.1	NEMA L14-20P
GR2SDS-54D	1530 x 677 x 859mm	120kg	120/208/240	3780	15.8	NEMA L14-20P
GR2SDS-60D	1683 x 677 x 859mm	135kg	120/208/240	4420	18.4	NEMA L14-20P