



Project _____

Item # _____

Quantity _____

Glo-Ray® Slant Merchandising Display Warmers

Models: GRSDS-24, -30, -36, -41, -52, -60
GRSDS-24D, -30D, -36D, -41D, -52D, -60D
GRSDS-24T, -36T

Hatco's Glo-Ray® Slant Merchandising Display Warmers are designed specifically to hold hot wrapped or boxed product safely, and at proper serving temperatures. With pre-focused infrared top heat and a thermostatically-controlled hardcoated heated base, providing optimal holding times. They offer the convenience of self-serve and the efficiency of kitchen-to-server holding.

Standard features

- Shelves are slanted for the convenience of self-service
- Models have pre-focused infrared top heat directing heat to the outer edges of the holding surface where heat loss is the greatest
- Thermostatically-controlled, hardcoated heated base has a temperature range of 185°- 200°F (85°- 93°C)
- Coated shatter-resistant incandescent lights enhance product display while safeguarding food products from bulb breakage
- NSF require units over 36" (914 mm) in width or weighing more than 80 lbs. (36 kg) to be either sealed, or raised on the installation surface with the 4" (102 mm) legs included
- Standard units shipped with: tempered glass side panels, hardcoated shelves, coated shatter-resistant incandescent lights, adjustable dividers, 4" (102 mm) legs, and a 6' (1829 mm) cord with plug



GRSDS-30
Slant single shelf in
optional Designer Black



GRSDS-24D
Slant dual shelf

Options (available at time of purchase only)

Designer Colors

- Non-standard colors are non-returnable – Glossy Gray standard
- Warm Red
 - Black
 - Gray Granite
 - White Granite
 - Navy Blue
 - Hunter Green
 - Antique Copper

LED Indicating Temperature Control

5" (127 mm) Sneeze Guard (customer side or both sides) (not compatible with accessory flip-up doors in same opening)

- 24" (609 mm) model
- 30" (762 mm) model
- 36" (914 mm) model
- 41" (1041 mm) model
- 52" (1321 mm) model
- 60" (1524 mm) model

60 Watt Halogen Bulb in lieu of Standard Display Light (not available on export voltages)

Flip-up Door Locking Plate

Display Sign Holder (signs not included) Color Matches Unit Color
- Top or Intermediate Shelf

- 24" (609 mm) model
- 30" (762 mm) model
- 36" (914 mm) model
- 41" (1041 mm) model
- 52" (1321 mm) model
- 60" (1524 mm) model

Plexi-Glass Flip-Up doors on one side - Not compatible with optional sneeze guards in same opening (one side only)

- 24" (609 mm) model
- 30" (762 mm) model
- 36" (914 mm) model
- 41" (1041 mm) model

Accessories

4" (102 mm) Adjustable Legs
(Standard on models GRSDS-41 and larger, and all dual models)

Chef LED Bulbs

- Similar to warm Halogen light
- Similar to warm Fluorescent light

Additional Stainless Steel Divider Rods



IFS anti-microbial coatings use naturally-occurring, environmentally sustainable, silver ions to help inhibit the growth of microbes on the powder coated surface. See www.hatcocorp.com/antimicrobial-paint for more information.



For operation, location and safety information, please refer to the Installation and Operating Manual.

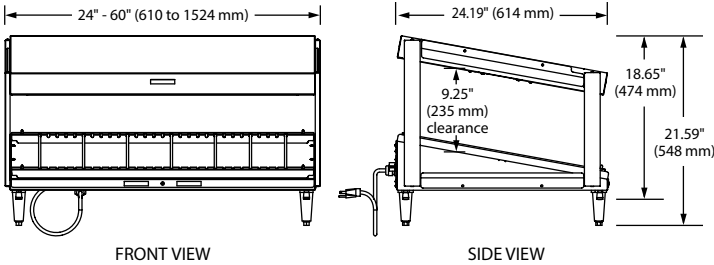




Glo-Ray® Slant Merchandising Display Warmers

Models: GRSDS-24, -30, -36, -41, -52, -60 GRSDS-24D, -30D, -36D, -41D, -52D, -60D
GRSDS-24T, -36T

SLANT SINGLE SHELF



SPECIFICATIONS

Single Shelf – SLANT MERCHANDISING DISPLAY WARMERS

The shaded areas contain electrical information for International models

Model	No. of Bulbs, Divider Rods	Dimensions (W x D x H) Height includes legs	Usable Heated Shelf Space (W x D)	Average Chute Width	Volts	Watts	Amps	Plug	Approx. Ship Weight
GRSDS-24	2, 5	24" x 24.19" x 18.65" (610 x 614 x 474 mm) on 1" (25 mm) legs	22.5" x 21" (571 x 533 mm)	3.75" (95 mm)	120	695	5.8	NEMA 5-15P	80 lbs. (36 kg)
					220	629	2.9	CEE 7/7 Schuko, BS-1363	
					240	749	3.1	BS-1363, AS 3112	
					220-230 (CE)	629-688	2.9-3.0	CEE 7/7 Schuko, BS-1363	
					230-240 (CE)	688-749	3.0-3.1	BS-1363	
GRSDS-30*	2, 6	30" x 24.19" x 18.65" (762 x 614 x 474 mm) on 1" (25 mm) legs	28.5" x 21" (723 x 533 mm)	4.22" (108 mm)	120	790	6.6	NEMA 5-15P	80 lbs. (36 kg)
					220	730	3.3	CEE 7/7 Schuko, BS-1363	
					240	870	3.6	BS-1363, AS 3112	
					220-230 (CE)	730-799	3.3-3.5	CEE 7/7 Schuko, BS-1363	
					230-240 (CE)	799-870	3.5-3.6	BS-1363	
GRSDS-36	2, 7	36" x 24.19" x 18.65" (914 x 614 x 474 mm) on 1" (25 mm) legs	34.5" x 21" (876 x 533 mm)	4.5" (114 mm)	120	935	7.8	NEMA 5-15P	92 lbs. (42 kg)
					220	864	3.9	CEE 7/7 Schuko, BS-1363	
					240	1030	4.3	BS-1363, AS 3112	
					220-230 (CE)	864-946	3.9-4.1	CEE 7/7 Schuko, BS-1363	
					230-240 (CE)	946-1030	4.1-4.3	BS-1363	
GRSDS-41 [✓]	3, 8	41" x 24.19" x 21.59" (1041 x 614 x 548 mm) on 4" (1025 mm) legs	39.5" x 21" (1003 x 533 mm)	4.5" (114 mm)	120	1090	9.1	NEMA 5-15P	96 lbs. (44 kg)
					220	1003	4.6	CEE 7/7 Schuko, BS-1363	
					240	1195	5.0	BS-1363, AS 3112	
					220-230 (CE)	1003-1097	4.6-4.8	CEE 7/7 Schuko, BS-1363	
					230-240 (CE)	1097-1195	4.8-5.0	BS-1363	
GRSDS-52 [✓]	4, 10	52" x 24.19" x 21.59" (1321 x 614 x 548 mm) on 4" (1025 mm) legs	50.5" x 21" (1282 x 533 mm)	4.63" (117 mm)	120	1400	11.7	NEMA 5-15P	110 lbs. (50 kg)
					220	1275	5.8	CEE 7/7 Schuko, BS-1363	
					240	1520	6.3	BS-1363, AS 3112	
					220-230 (CE)	1275-1396	5.8-6.1	CEE 7/7 Schuko, BS-1363	
					230-240 (CE)	1396-1520	6.1-6.3	BS-1363	
GRSDS-60	5, 12	60" x 24.19" x 21.59" (1524 x 614 x 548 mm) on 4" (1025 mm) legs	58.5" x 21" (1485 x 533 mm)	4.5" (114 mm)	120	1715	14.3	NEMA 5-15P [†]	167 lbs. (76 kg)
					220	1665	7.6	CEE 7/7 Schuko, BS-1363	
					240	1715	7.2	BS-1363, AS 3112	
					220-230 (CE)	1665-1820	7.6-7.9	CEE 7/7 Schuko, BS-1363	
					230-240 (CE)	1575-1715	6.8-7.2	BS-1363	

[✓] Requires 2, 120V cord power supplies.

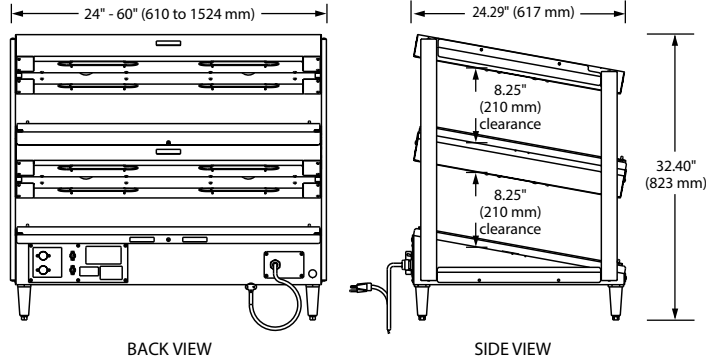
[†] Canadian models use NEMA 5-20P.



Glo-Ray® Slant Merchandising Display Warmers

Models: GRSDS-24, -30, -36, -41, -52, -60 GRSDS-24D, -30D, -36D, -41D, -52D, -60D
GRSDS-24T, -36T

SLANT DUAL SHELF



SPECIFICATIONS Dual Shelf — SLANT MERCHANDISING DISPLAY WARMERS

The shaded areas contain electrical information for International models

Model	No. of Bulbs, Divider Rods	Dimensions (W x D x H) Height includes legs 4" (102 mm) legs	Usable Heated Shelf Space (W x D)	Average Chute Width	Volts	Watts	Amps	Plug	Approx. Ship Weight
GRSDS-24D	4, 10	24" x 24.29" x 32.40" (610 x 617 x 823 mm)	22.59" x 21" (573 x 533 mm)	3.75" (95 mm)	120	1355	11.3	NEMA 5-15P	115 lbs. (52 kg)
					220	1260	5.7	CEE 7/7 Schuko, BS-1363	
					240	1502	6.3	BS-1363, AS 3112	
					220-230 (CE)	1260-1378	5.7-6.0	CEE 7/7 Schuko, BS-1363	
					230-240 (CE)	1378-1502	6.0-6.3	BS-1363	
GRSDS-30D	4, 12	30" x 24.29" x 32.40" (762 x 617 x 823 mm)	28.59" x 21" (726 x 533 mm)	4.25" (108 mm)	120	1530	12.8	NEMA 5-15P*	140 lbs. (64 kg)
					220	1419	6.5	CEE 7/7 Schuko, BS-1363	
					240	1690	7.0	BS-1363, AS 3112	
					220-230 (CE)	1419-1552	6.5-6.8	CEE 7/7 Schuko, BS-1363	
					230-240 (CE)	1552-1690	6.8-7.0	BS-1363	
GRSDS-36D	4, 14	36" x 24.29" x 32.40" (914 x 617 x 823 mm)	34.59" x 21" (878 x 533 mm)	4.5" (114 mm)	120	1810	15.1	NEMA 5-20P	160 lbs. (73 kg)
					220	1669	7.6	CEE 7/7 Schuko, BS-1363	
					240	1990	8.3	BS-1363, AS 3112	
					220-230 (CE)	1669-1827	7.6-7.9	CEE 7/7 Schuko, BS-1363	
					230-240 (CE)	1827-1990	7.9-8.3	BS-1363	
GRSDS-41D ✓	6, 16	41" x 24.29" x 32.40" (1041 x 617 x 823 mm)	39.59" x 21" (1005 x 533 mm)	4.5" (114 mm)	120	1090/1030	9.1/8.6	NEMA 5-15P*	180 lbs. (82 kg)
					120/208-240	2120	9.1	NEMA L14-20P	
					220	1951	8.9	CEE 7/7 Schuko, BS-1363	
					240	2325	9.7	BS-1363, AS 3112	
					220-230 (CE)	1951-2135	8.9-9.3	CEE 7/7 Schuko, BS-1363	
230-240 (CE)	2135-2325	9.3-9.7	BS-1363						
GRSDS-52D ✓	8, 20	52" x 24.29" x 32.40" (1321 x 617 x 823 mm)	50.59" x 21" (1284 x 533 mm)	4.63" (117 mm)	120	1400/1325	11.7/11.0	NEMA 5-15P*	215 lbs. (98 kg)
					120/208-240	2725	11.7	NEMA L14-20P	
					220	2483	11.3	CEE 7/7 Schuko, BS-1363	
					240	2960	12.3	BS-1363, AS 3112	
					220-230 (CE)	2483-2718	11.3-11.8	CEE 7/7 Schuko, BS-1363	
230-240 (CE)	2718-2960	11.8-12.3	BS-1363						
GRSDS-60D	10, 24	60" x 24.29" x 32.40" (1524 x 617 x 823 mm)	58.59" x 21" (1488 x 533 mm)	4.5" (114 mm)	120/208-240	3340	14.3	NEMA L14-20P	238 lbs. (108 kg)
					220	3240	14.7	CEE 7/7 Schuko, No Plug	
					240	3340	13.9	AS 3112, No Plug	
					220-230 (CE)	3240-3541	14.7-15.4	CEE 7/7 Schuko, No Plug	
					230-240 (CE)	3067-3340	13.3-13.9	No Plug	

✓ Requires 2, 120V cord power supplies.

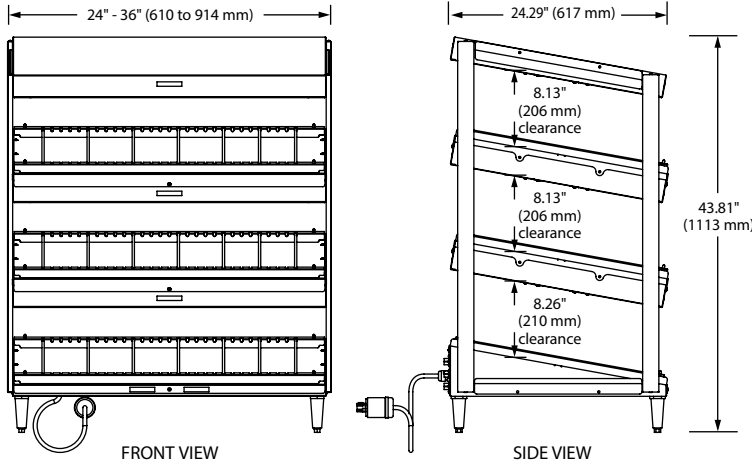
* Canadian models use NEMA 5-20P.



Glo-Ray® Slant Merchandising Display Warmers

Models: GRSDS-24, -30, -36, -41, -52, -60 GRSDS-24D, -30D, -36D, -41D, -52D, -60D
GRSDS-24T, -36T

SLANT TRIPLE SHELF



SPECIFICATIONS Triple Shelf – Slant Merchandising Display Warmers

Model	No. of Bulbs, Divider Rods	Dimensions (W x D x H) Height includes 4" (102 mm) legs	Usable Heated Shelf Space (W x D)	Average Chute Width	Volts	Watts	Amps	Plug	Approx. Ship Weight
GRSDS-24T*	6, 15	24" x 24.29" x 43.81" (610 x 617 x 1113 mm)	22.59" x 21" (573 x 533 mm)	3.75" (95 mm)	120	2015	16.8	NEMA 5-20P	164 lbs. (74 kg)
GRSDS-36T	6, 21	36" x 24.29" x 43.81" (914 x 617 x 1113 mm)	34.59" x 21" (878 x 533 mm)	4.5" (114 mm)	120/208-240	2685	14.6	NEMA L14-20P	219 lbs. (99 kg)

* Not available for Canada.

CORD LOCATION

Back of unit, top right side.

PLUG CONFIGURATIONS

