



Decorative Carving Stations



DCS400-1 with Bright Brass post and shade



DCSB400-R24-1 with Antique Bronze post and shade, and Night Sky base



DCSB400-2420-1 with Bright Nickel post and shade, and Night Sky base



DCSB400-3624-2 with Bright Brass posts and shades, and Night Sky base

The Quality you Expect with the Style you Deserve

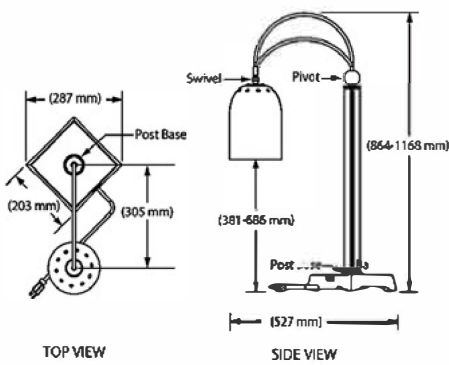
The Hatco Decorative Carving Station combines the Hatco Decorative Heat Lamp with the Swanstone® Heated Base to create an attractive carving display. Patent-pending telescoping stem and a 30° pivoting post gives you flexibility, style, and quality for your chef station in restaurants, hotels, country clubs, casinos, or custom catered events. The choice is Yours.

- Freestanding or with a rounded or rectangular heated stone base
- Decorative posts and lamps are available in three Plated colors: Bright Brass, Bright Nickel (standard), or Antique Bronze
- Heated stone bases, post bases, and cutting boards are made of foodsafe materials and come in four Decorative Stone colors: Gray Granite, Bermuda Sand, Night Sky (standard), and Sawgrass. Carving Station units come with matching cutting board (except DCS400-1) keeping juices contained and tablecloths clean

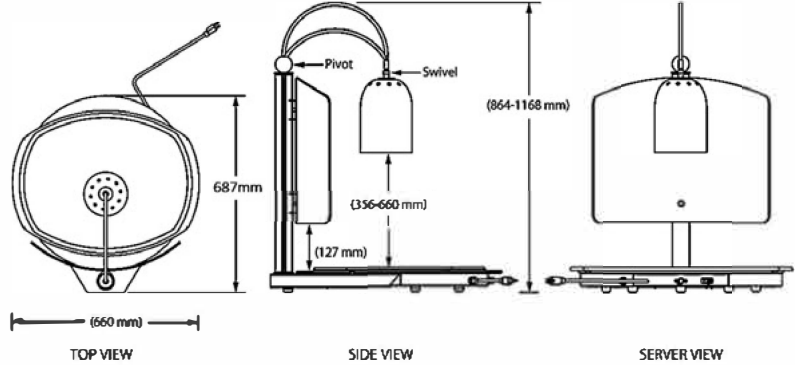


DECORATIVE CARVING STATION

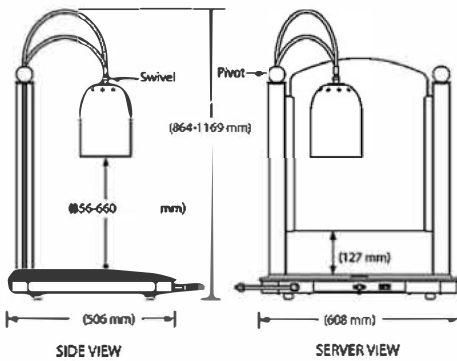
Models DCS400-1, DCSB400-R24-1, DCSB400-2420-1, DCSB400-3624-2



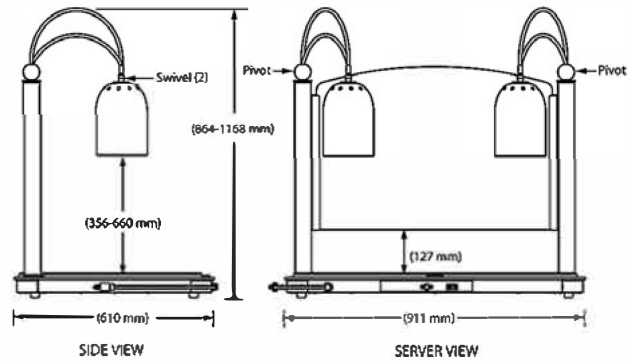
Model DCS400-1



Model DCSB400-R24-1



Model DCSB400-2420-1



Model DCSB400-3624-2

SPECIFICATIONS

Model	Volts	Watts	Amps	Shipping Weight
DCS400-1	240	250	1.1	(11 kg)
DCSB400-R24-1	240	600	2.5	(32 kg)
DCSB400-2420-1	240	750	3.2	(36 kg)
DCSB400-3624-2	240	1300	5.2	(54 kg)

DIMENSIONS

DCS400-1: (203 x 527 x 864-1168 mm).
 DCSB400-R24-1: (660 x 687 x 864-1168 mm).
 DCSB400-2420-1: (608 x 506 x 864-1168 mm).
 DCSB400-3624-2: (911 x 610 x 864-1168 mm).

HEATED BASE SURFACE AREA WxD

DCSB400-R24-1: (609 mm) diameter.
 DCSB400-2420-1: (609 x 508 mm).
 DCSB400-3624-2: (914 x 609 mm).

VOLTAGE

240 volt, single phase.

CORD LOCATION

DCS400-1: Base of unit, server side center.
 DCSB400-R24-1: Base of unit, server side on left.
 DCSB400-2420-1: Base of unit, server side on left.
 DCSB400-3624-2: Base of unit, server side on left.

OPTIONS

- Post and Lamp Shades Plated colors: Bright Brass, Bright Nickel (standard), Antique Bronze
- Heated Stone Base, post base, and Cutting Board Swanstone® color: Gray Granite, Bermuda Sand, Night Sky (standard), Sawgrass

ACCESSORIES

- Coated Red Bulb, 250 Watt (clear coat is standard)
- Swanstone® Cutting Boards with Juice Groove (Heated Base units include one Cutting Board)