



TOAST-QWIK®

## MODELS TQ-405 & TQ-805 HIGH PRODUCTION CONVEYOR TOASTERS

GO TO WEB SITE



TQ-405



TQ-805

**Hatco TQ Series High Wattage Toasters are the answer for busy high volume venues where rapid consistent toast output is required.**

**Hatco's patented Colourgard Sensing System automatically adjusts conveyor speed to maintain consistent toast colour regardless of how many slices are being produced. No more wastage trying to guess the correct setting.**

With electronic controls for top and bottom sheathed heating elements, quality is assured. TQ Series Toasters also offer front or rear chute delivery for real versatility. These models suit high-load requirements and come with insulated, fan assisted interiors for cooler surface temperatures making them safe in any environment.

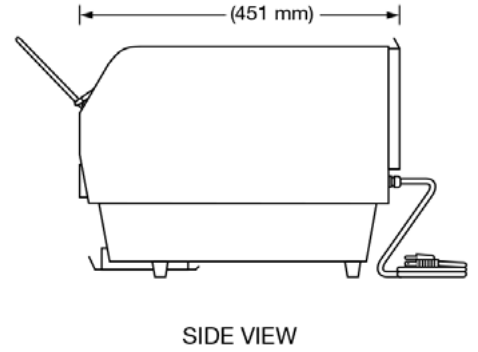
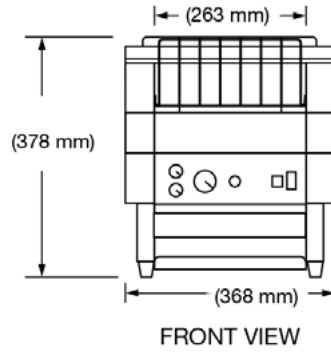
The TQ-405 model is suitable for up to 300 toasted slices per hour, whilst the powerhouse TQ-805 model handles up to 600 toasted slices per hour.

Both models come with power-save mode to conserve energy and these units easily cope with high moisture content bread products.

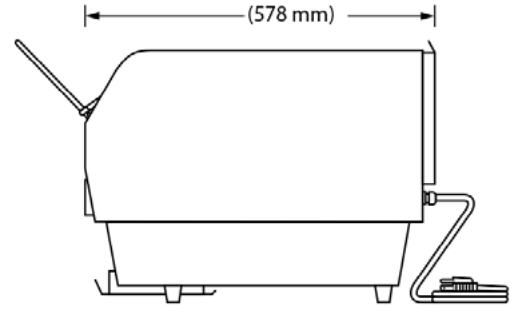
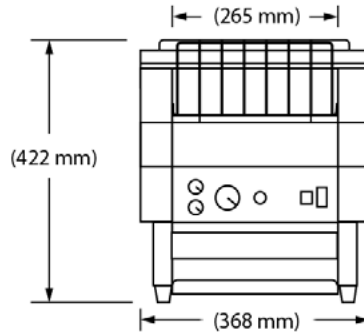
All Hatco Toast Qwick models are the result of years of experience manufacturing high output, quality products for the food industry, and come with our exclusive 13 month on-site parts and labour warranty.



**TQ-405**



**TQ-805**



**Dimensions (WxD^Xh):**

TQ-405 - 368 x 451 x 378 mm

TQ-805\* - 368 x 578 x 422 mm

^Includes tray extensions. Rear tray extends 64 mm for TQ-405 and 165 mm for TQ-805.

**Maximum Product Size:**

244 W x 44H mm

**Cord Location:** Bottom right corner on back of unit.

**SPECIFICATIONS**

Model	Capacity/Min**	Volts	Amps	Watts	Hz	Plug Configuration	Shipping Weight
TQ-405	6 Slices	230-240	9.2	2210	50/60	Standard 10 amp	21 Kg
TQ-805	12 slices	230-240	15	3600	50/60	Standard 15 amp	24 Kg

\*\*Toasting capacity may vary by product. Toasting of coated products not recommended.

**OPTIONAL SECURITY COVER TQ-2:**

Hinged control cover to suit above models prevents unauthorised alteration to settings.



Optional TQ2-Security Cover for TQ405 & TQ805 Model Toasters