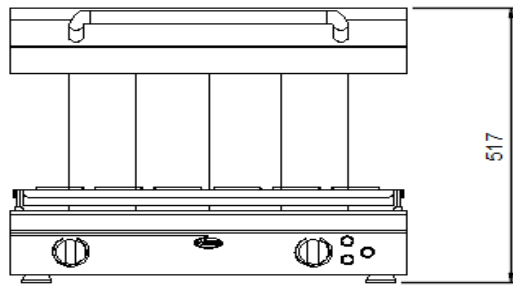
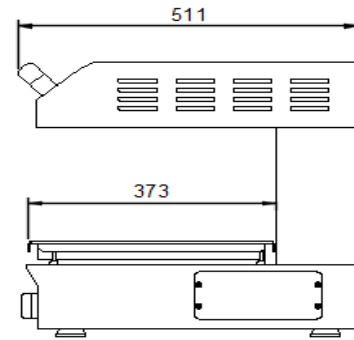


TOP VIEW



FRONT VIEW  
NTS



SIDE VIEW

Hatco's Therm-Max TMS-1H Salamander is specially designed for versatility in the kitchen with the capabilities to cook, grill and reheat food. The unparalleled start up speed is a result of "Instant-On" heating elements located in the upper housing of the salamander. Therm-Max Salamander is energy efficient and easy to operate.

**SPECIFICATION**

Dimensions	600W x 511D x 517Hmm
Cooking Area	540W x 373D x 90-261Hmm
Weight	70Kgs
Voltage	230
Phase	Single
Watts	4Kw
Amps	17.4amp

**STANDARD FEATURES**

- The high-powered heating elements are ready for use within eight seconds
- Two independently-controlled heating element sections give the benefits of flexibility and energy conservation
- Cook mode selection switch controls left, right or both locations
- Made of stainless steel for easy cleaning and durability
- The Salamander can be placed on a countertop or mounted to a brick or cement wall
- The TMS-1H includes a hold mode switch that reduces power to 25% and keeps food at proper serving temperatures
- Units come standard with grill, drip pan and wallmounting bracket