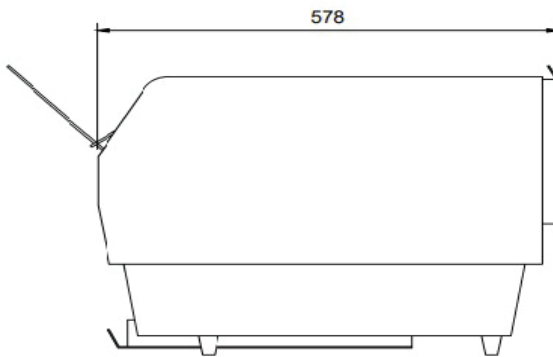
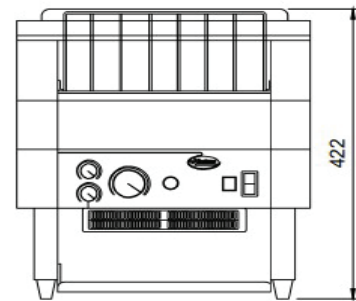




**TOP VIEW**



**SIDE VIEW**  
NTS



**FRONT VIEW**

The Hatco Toast-Qwik® is an economical conveyor toaster with fast, dependable and versatile toasting, offering 800 to 1800 slices per hour. Hatco toasters utilize conveyor speed, not temperature to determine toasting color. This method allows for instant adjustment of toasting time to match the bread product being toasted.

**STANDARD FEATURES**

- Hatco’s ColorGuard sensing system assures toast uniformity
- Optional power save mode with indicator light saves energy and money during slow periods
- Efficient design of front or rear discharge allows Toast-Qwik to be placed where it is most convenient – for sending product to operator side or customer/server
- BA models toast one side only and are for bagels and buns only, cut side up
- Opening height is(51 mm) and for H models is 76 mm
- Insulation and an interior fan provide cool surface temperatures
- Toast storage area keeps bread warm and dry

**SPECIFICATION**

Dimensions	368W x 578D x 422H mm
Weight	28Kgs
Output Power	3.6 Kw
Power Source	15A. Supplied corded with 15 amp plug.