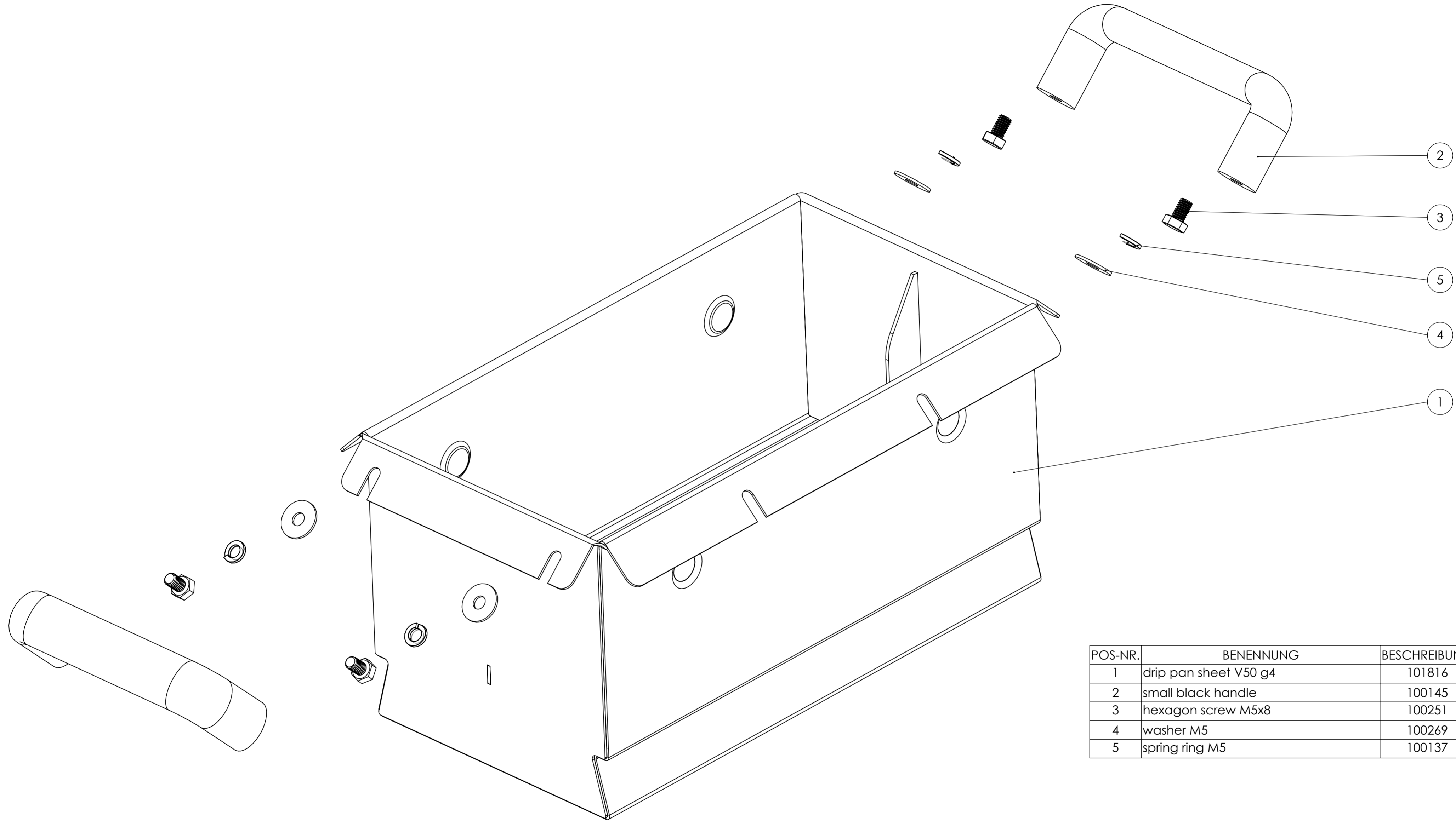


PROPRIETARY AND CONFIDENTIAL  
 THE INFORMATION CONTAINED IN THIS DRAWING IS THE SOLE PROPERTY OF SYS Systemfiltration GmbH. ANY REPRODUCTION IN PART OR AS A WHOLE WITHOUT THE WRITTEN PERMISSION OF SYS Systemfiltration GmbH IS PROHIBITED.

		Oberfläche / FINISH	SCALE: 1:10	Art.Nr. / ITEM NO.
Allgemeintoleranzen / GENERAL TOLERANCES		Werkstoff / MATERIAL		Gewicht / WEIGHT
DIN ISO 2768-m				kg
Datum / DATE		Benennung / DESCRIPTION		
24.09.14		VITO 50		
Name / NAME		Zeichnungsnummer / DRAWING NO.		Status / STATUS
DB				release
bearb. DRAWN		Ers.f./REPL.		Format / SIZE
Gepr. CHECKED		Ers.d./REPL. BY		A3
DO NOT SCALE DRAWING				Blatt / PAGE
				2
				von / OF
				2
				SolidWorks

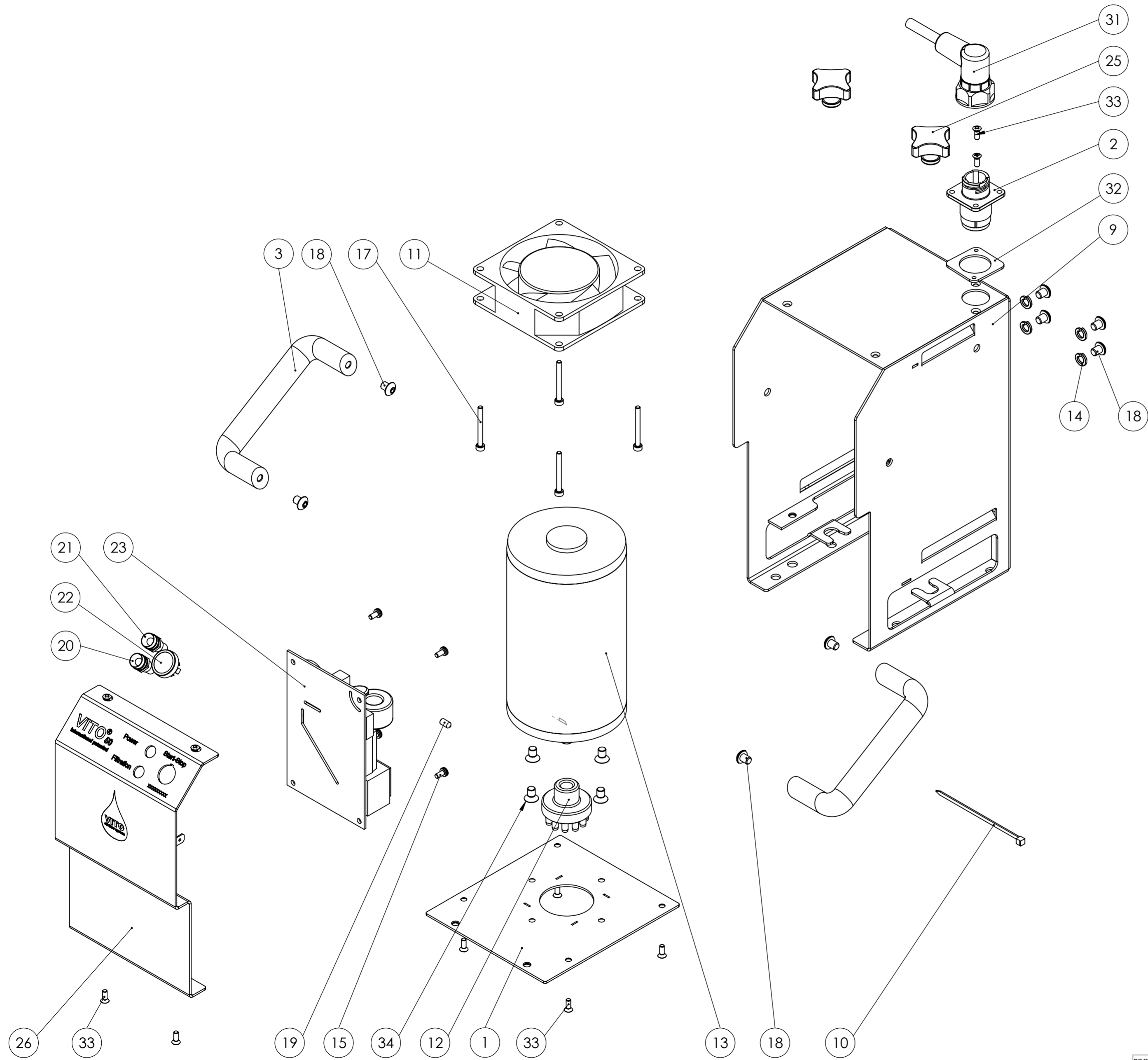


POS-NR.	BENENNUNG	BESCHREIBUNG	MENGE
1	drip pan sheet V50 g4	101816	1
2	small black handle	100145	2
3	hexagon screw M5x8	100251	4
4	washer M5	100269	4
5	spring ring M5	100137	4

PROPRIETARY AND CONFIDENTIAL  
 THE INFORMATION CONTAINED IN THIS  
 DRAWING IS THE SOLE PROPERTY OF  
 SYS Systemfiltration GmbH. ANY RE-  
 PRODUCTION IN PART OR AS A WHOLE  
 WITHOUT THE WRITTEN PERMISSION OF  
 SYS Systemfiltration GmbH IS PROHIBITED

	Oberfläche / FINISH DIN ISO 2768-m	Scale: 1:1 Werkstoff / MATERIAL VITO 50	Art.Nr. / ITEM NO. VITO 50	Gewicht/WEIGHT kg
Datum / DATE 31.03.15 DB	Name / NAME DB	Benennung / DESCRIPTION drip pan V50 g4 cpl.		
Zeichnungsnummer / DRAWING NO. Status / STATUS	Format/SIZE A2	Blatt / PAGE 1	von / OF 2	Ers.f./REPL. Ers.d./REPL.BY SolidWorks

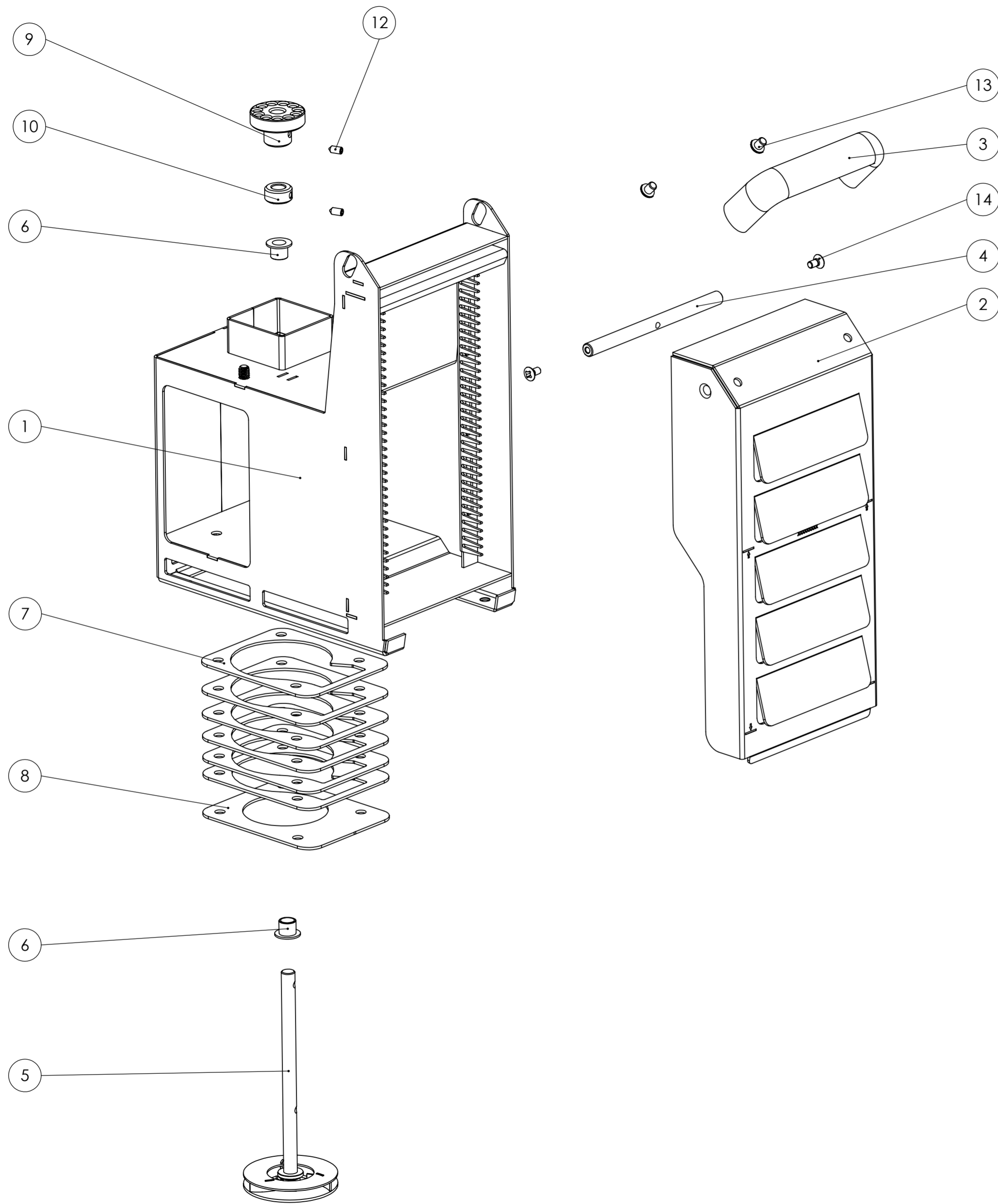
DO NOT SCALE DRAWING



POS-NR.	BENENNUNG	BESCHREIBUNG	MENGE
1	flange plate V50g4	101809	1
2	metall power socket with wires	100859	1
3	small black handle	100145	2
9	electrical housing V50g4	101807	1
10	cable tie 80mm	100784	1
11	fan 100-120V / 220-240V	100247/100214	1
12	clutch pin side	100615	1
13	motor V30/50 100V-120V 50/60Hz motor V30/50 220V-240V 50/60Hz	100035 100725	1
14	spring ring M5	100137	4
15	lens-head screw PH M3x6	100129	4
17	allen screw with hex socket M3x30	100213	4
18	lens-head screw with hex socket M5x6	100128	8
19	hex socket set screw w. dog point M4x8	100631	1
20	LED green incl. housing	100050	1
21	LED red incl. housing	100049	1
22	pushbutton with fixing kit	100380	1
23	circuit board V30/V50 100-120V 50/60Hz circuit board V30/V50 220-240V 50/60Hz	100476 100477	1
25	star handle	100147	2
26	base plate V50g4	101808	1
31	power cord country-specific		1
32	flange plate metal power socket V30/50	101717	1
33	countersink screw PH M3x8	101720	10
34	countersink screw PH M5x8	101718	4
.	insulating tube	100775	1

PROPRIETARY AND CONFIDENTIAL  
 THE INFORMATION CONTAINED IN THIS  
 DRAWING IS THE SOLE PROPERTY OF  
 SYS Systemfiltration GmbH. ANY RE-  
 PRODUCTION IN PART OR AS A WHOLE  
 WITHOUT THE WRITTEN PERMISSION OF  
 SYS Systemfiltration GmbH IS PROHIBITED.

		Oberfläche / FINISH		Scale: 1:2		Art.Nr. / ITEM NO.	
Allgemeine Toleranzen / GENERAL TOLERANCES <b>DIN ISO 2768-m</b>		Werkstoff / MATERIAL		VITO 50		Gewicht / WEIGHT	
Datum / DATE 31.03.15		Name / NAME		DB		Benennung / DESCRIPTION	
bearb. DRAWN gepr. CHECKED		Zeichnungsnummer / DRAWING NO.		Status / STATUS		Format / SIZE A2	
Nr. NO.		Änderung MODIFICATION		Datum DATE		Name NAME	
DO NOT SCALE DRAWING		Ers.f./REPL.		Ers.d./REPL.BY		Blatt / PAGE 1 von / OF 1 SolidWorks	



POS-NR.	BENENNUNG	BESCHREIBUNG	MENGE
1	pump-filter housing V50g4	101811	1
2	filter box lid V50 g4	101812	1
3	small red handle	100146	1
4	joining rod V30g3 / V50g4	101673	1
5	Rotor V30g3 / V50g4	101675	1
6	slide bearing	100531	2
7	RT sheet 1 V50g4	101814	6
8	RT sheet 2 V50g4	101815	1
9	clutch drill side	100616	1
10	collar with hex socket set screw w. dog point M4x8	100131	1
11	hex. nut M6 flat	100132	4
12	hex socket set screw w. dog point M4x8	100631	2
13	lens-head screw with hex socket M5x6	100128	2
14	countersink screw PH M4x8	101719	2



**For all service, warranty or spare parts requirements, please call**  
**03 9368 2300**

PROPRIETARY AND CONFIDENTIAL THE INFORMATION CONTAINED IN THIS DRAWING IS THE SOLE PROPERTY OF SYS Systemfiltration GmbH. ANY REPRODUCTION IN PART OR AS A WHOLE WITHOUT THE WRITTEN PERMISSION OF SYS Systemfiltration GmbH IS PROHIBITED.		Oberfläche / FINISH -0,3 / +0,3	Scale: 1:2 Art.Nr. / ITEM NO.	Werkstoff / MATERIAL VITO 50	Gewicht / WEIGHT kg
Allgemeine Toleranzen / GENERAL TOLERANCES DIN ISO 2768-m		Datum / DATE 31.03.15	Name / NAME DB	Benennung / DESCRIPTION pump-filter unit V50 g4 cpl.	
Zeichnungsnummer / DRAWING NO.		Status / STATUS	Format / SIZE A2	Blatt / PAGE 1	von / OF 3
Nr. / NO.	Änderung / MODIFICATION	Datum / DATE	Name / NAME	Ers.f./REPL.	Ers.d./REPL.BY
DO NOT SCALE DRAWING			SolidWorks		