



TQ-405 & TQ-805 TOAST QWICK HIGH PRODUCTION CONVEYOR TOASTERS



TQ-405



TQ-805

Hatco TQ Series High Wattage Toasters are the answer for busy high volume venues where rapid consistent toast output is required.

Hatco's patented Colourgard Sensing System automatically adjusts conveyor speed to maintain consistent toast colour regardless of how many slices are being produced. No more wastage trying to guess the correct setting.

With electronic controls for top and bottom sheathed heating elements, quality is assured. TQ Series Toasters also offer front or rear chute delivery for real versatility. These models suit high-load requirements and come with insulated, fan assisted interiors for cool surface temperatures making them safe in any environment.

The TQ-405 model is suitable for up to 300 toasted slices per hour, whilst the powerhouse TQ-805 model handles up to 600 toasted slices per hour.

Both models come with power-save mode to conserve energy and these units easily cope with high moisture content bread products.

All Hatco Toast Qwick models are the result of years of experience manufacturing high output, quality products for the food industry, and come with our exclusive 13 month on-site parts and labour warranty.

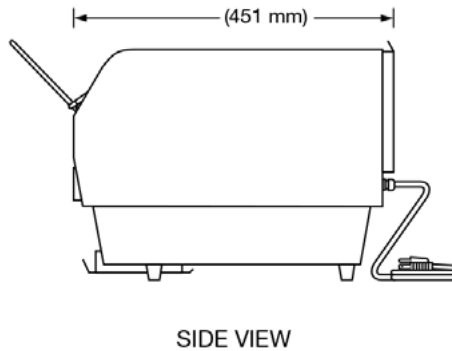
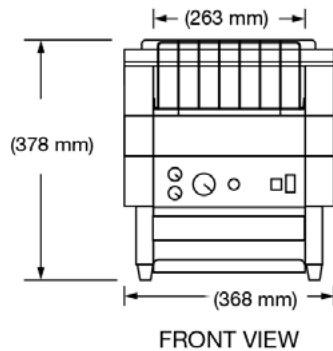
FSM (FOOD SERVICE MACHINERY PTY. LTD.)
HEAD OFFICE: UNIT E6, 63-85 TURNER STREET,
PORT MELBOURNE, VIC. 3207 AUSTRALIA
T: +61 3 8645 2555 F: +61 3 8645 2565
E: sales@fsm-pl.com.au W: www.fsm-pl.com.au

SYDNEY OFFICE:
UNIT 26, 7-9 PERCY STREET,
AUBURN, NSW 2144 AUSTRALIA
T: +61 2 8737 4666 F: +61 2 8737 4646
E: sales@fsm-pl.com.au W: www.fsm-pl.com.au

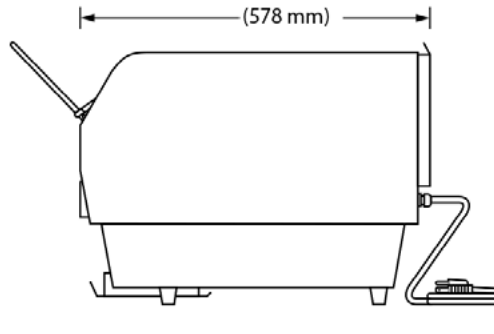
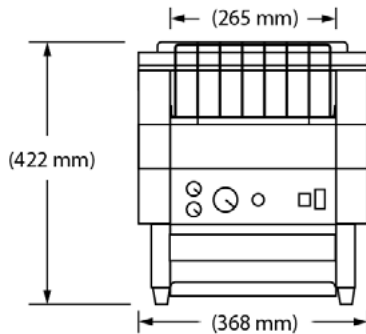
QUEENSLAND:
T: 0400 099 992
E: sales@fsm-pl.com.au
W: www.fsm-pl.com.au



TQ-405



TQ-805



Dimensions (WxD^xH):

TQ-405 - 368 x 451 x 378 mm

TQ-805* - 368 x 578 x 422 mm

^Includes tray extensions. Rear tray extends 64 mm for TQ-405 and 165 mm for TQ-805.

Maximum Product Size:

244 W x 44H mm

Cord Location: Bottom right corner on back of unit.

SPECIFICATIONS

Model	Capacity/Min**	Volts	Amps	Watts	Hz	Plug Configuration	Shipping Weight
TQ-405	6 Slices	230-240	9.2	2210	50/60	Standard 10 amp	21 Kg
TQ-805	12 slices	230-240	15	3600	50/60	Standard 15 amp	24 Kg

**Toasting capacity may vary by product. Toasting of coated products not recommended.