

Commercial Tapware



“

*when performance under pressure matters,
when you depend on reliable water-efficient tapware,
when 13 month on-site parts and labour warranty is important,
when nationwide service is on call,
when all tapware is Australian Watermark approved
and WELS rated,
when most products are designed and made right here
in Australia,*

Yellow quality tapware is the product you should insist on ”



Pre Rinse Units

All Yellow tapware is Australian Watermark approved, and is WELS rated to deliver the required performance against all regulatory requirements in Australia.

Offering peak performance and quality you can rely on, every Yellow tapware product comes with our exclusive 13 month on-site warranty on parts and labour, PLUS a **peace-of-mind THREE YEAR warranty on the pre-rinse hose**. Yellow Pre Rinse units all offer **6 Star WELS rated guns** - the most water efficient available, and are the brand of choice for the most demanding of installations. Instal with confidence and enjoy the high performance and productivity whilst saving on water usage.



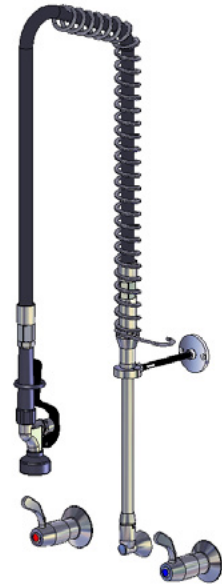
YH041 - DECK MOUNT

Premium deck mounted pre rinse with wall bracket, 1/4 turn levers and Wels 6 Star rated gun.



YW031 - WALL MOUNT

Premium wall mount pre rinse with exposed breach, 1/4 turn levers and Wels 6 Star rated gun.



YWS021 - WALL MOUNT

Premium wall mount pre rinse with concealed breach, 1/4 turn levers and Wels 6 Star rated gun.



YHS021 - DECK MOUNT

Premium deck mount pre rinse with concealed breach, 1/4 turn levers and Wels 6 Star rated gun.



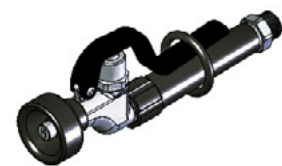
Y2615 - SHORT DECK MOUNT

Special 480mm height deck mount pre rinse with 1/4 turn levers and Wels 6 Star rated gun.



Y063-Y182 ADD-ON FAUCET

Add-On 300mm swing faucet to fit all Yellow Pre Rinse models.



Y729 PRE RINSE GUN

Wels 6 Star rated gun supplied with all pre rinse units.

Kitchen Tapware

Choose from this extensive range of performance tapware, all Watermark approved and guaranteed for 13 months (on-site warranty parts and labour) for absolute peace of mind.

World-class manufacturing with quality components and deep, highly polished chrome finishes with various spout sizes, styles and mounting options.

Yellow tapware is WELS rated and has your every kitchen need covered.



Y022-Y180

Wall mount faucet, 180mm Swing spout, with 150mm centres and 1/4 turn levers.



Y022-Y182

Wall mount faucet, 300mm Swing spout, with 150mm centres and 1/4 turn levers.



YZ315

Wall mount sink set, 220mm Swing Aerated spout, jumper valve, concealed mixer and Four Arm Handles.



Y015-Y180

Deck mount faucet, 180mm Swing spout, with 1/4 turn levers. Includes 2 connection tails.



Y015-Y182

Deck mount faucet, 300mm Swing spout, with 1/4 turn levers. Includes 2 connection tails.



YZ370

Deck mount faucet, 150mm Goose neck swivel spout, Four Arm Handles. Includes 2 connection tails.



YX307

Deck mount sink set, 180mm Aerated Swing spout, with 1/4 turn levers, Ceramic disc. Includes breech assembly.



YX307XYP012

Deck mount sink set, 300mm Aerated Swing spout, with 1/4 turn levers, Ceramic disc. Includes breech assembly.



YZ307XYP012

Deck mount faucet, 300mm Aerated Swing spout, jumper valve, concealed mixer/breec assembly, Four Arm Handles.



YX315

Wall mount sink set, 180mm Swing Aerated spout, with 1/4 turn levers, ceramic disc.



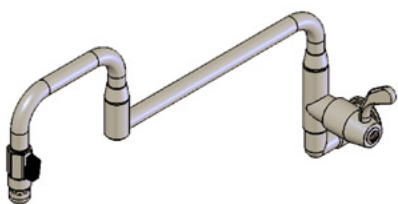
YX315XYP112

Wall mount sink set, 300mm Swing Aerated spout, with 1/4 turn levers, ceramic disc.

Call your FSM Dealer if you need assistance in specifying tapware for your next project. CAD/installation drawings available for all models.

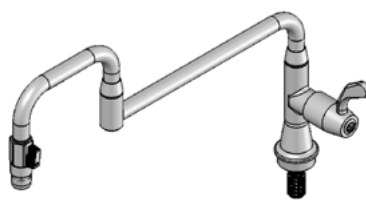
Specialty Tapware

Specialty Pot Filler units have been designed by people who understand what is really required in a busy commercial kitchen. With features like the special on-off control on the nozzle, to save time and effort. The Cleaners Sink model comes complete with bucket hook and sturdy wall support bracket. Bar Sets come in two models to suit your requirements. With easy to use thumb operated nozzle and flexible hose assembly, these deck mount units are ideal for pre-washing blender jugs, rinsing ice wells, speed rails etc. All Watermark approved and guaranteed for 13 months (parts and labour on-site warranty).



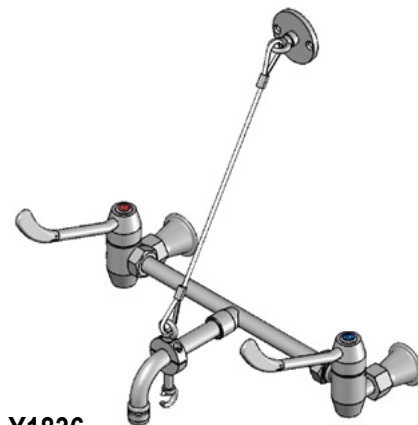
Y2047

Double jointed Pot & Kettle Filling Faucet, 457 mm long, Wall Mount, Hot or Cold



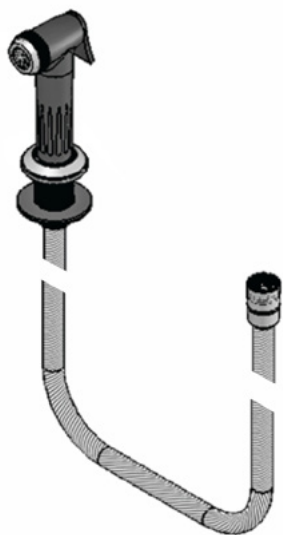
Y1835

Double jointed Pot & Kettle Filling Faucet, 457 mm long, Deck Mount, Hot or Cold



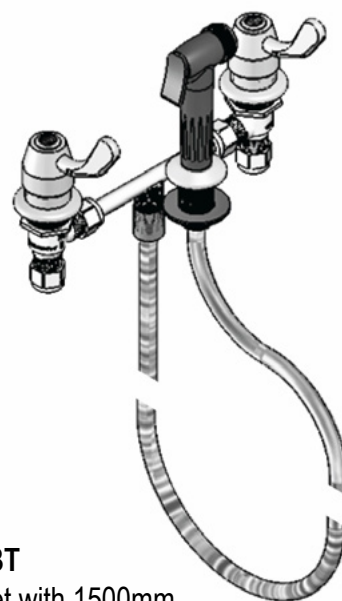
Y1836

Cleaners Sink Faucet with Support Bracket and Bucket Hook, Wall Mount, Hot and Cold.



Y272

Bar Set with 1500mm flexible hose, Hot or Cold. For bench mounting with concealed hose.



Y347BT

Bar Set with 1500mm flexible hose, Hot and Cold, complete with breech, lever tapware and all fittings. For bench mounting with concealed hose.

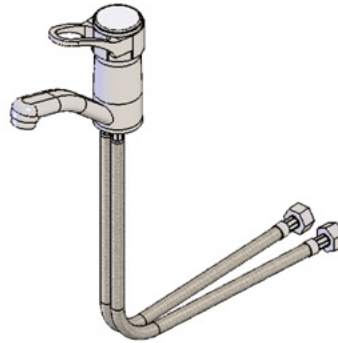
Hands free & lever tapware

Choose from this range of convenience tapware, all Watermark approved and WELS rated, with our exclusive 13 months on-site warranty (parts and labour) for absolute peace of mind. World-class manufacturing with quality components and highly polished chrome finishes, choose from various lever sizes, time-flow and knee operated models, and electronic hands-free units available in deck or wall mount. Yellow tapware has every kitchen and washroom need covered.



YLM307

Single lever Mixer Sink Set with Blade Handle, (Flick Mixer) 180mm Swivel Spout. Includes 2 connection tails.



YLM306

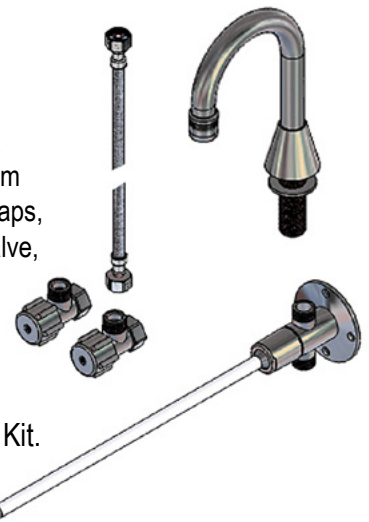
Single lever Mixer Basin Set with 90mm Handle, (Flick Mixer) Fixed 90mm Spout. Includes 2 connection tails.



Y745P

Time flow tap 7 seconds

Bench mounted fixed goose neck outlet, bright chrome finish, 500mm flexible connector, two mini stop taps, knee operated 7 sec. time flow valve, 350mm plastic lever with chrome plated body, instal instructions.



Y780

Knee operated Auto Tap basin Kit.



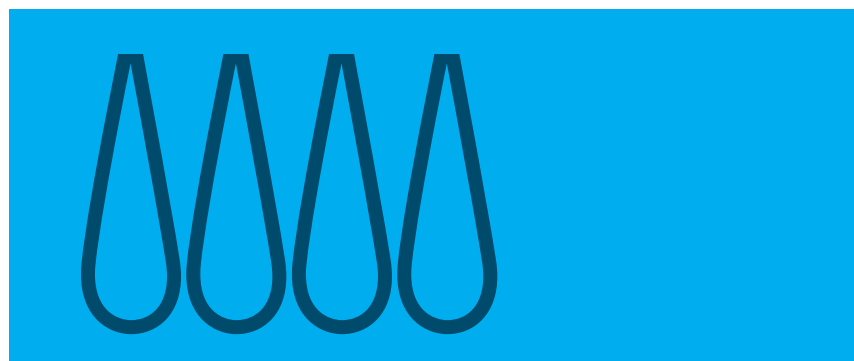
Y2002

Electronic hands-free tap, deck mounted with downward facing sensor. Mains powered. Includes 1 connection tail and all hardware.



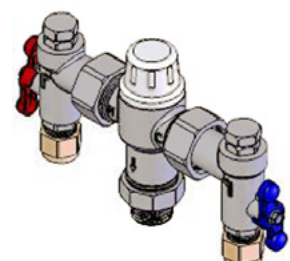
Y2003

Electronic hands-free tap, wall mounted with downward facing sensor. Mains powered. Includes 1 connection tail and all hardware.



YTM700

Thermostatic Mixing Valve, 15mm Male inlet, 20mm Male outlet.



Hose Reels

Yellow Hose Reel assemblies are the premium standard for quality and longevity, with strong construction, long-life hot or cold hose, and Y722 gun, available in powder coat or stainless steel construction. Used in demanding kitchens nationwide, these units perform when lesser units fail.



KHR-1015-O-Y722 4.6M HOSE
Open Hose Reel Assembly,
Grey powder coated, 4.6m (15')
hose supplied with Y722 spray
gun.



KHR-5635-O-Y722 10.66M HOSE
Open Hose Reel Assembly, rugged
design with high-temp 10.66m (35')
hose, Gray Powder Coated with
Y722 Gun.

ALSO AVAILABLE WITH 15m (50')
HOSE, MODEL KHR-5650-O-Y722.



KHR-5635-OSS-Y722 10.66M HOSE
Open Hose Reel Assembly, rugged
design with high-temp 10.66m (35')
hose, **Stainless Steel** construction
with Y722 Gun.

WELS, WATERMARK AND YELLOW TAPWARE

All Yellow Tapware is manufactured and registered to comply with Australian Watermark regulations and all products are certified and approved.

Insist on WELS rated and Watermark approved tapware for your projects - your guarantee of compliance with all Australian regulations.

All Yellow tapware comes with an industry leading 13 month on-site nationwide warranty for peace of mind, covering parts and labour (3 years on pre-rinse hoses) - your assurance that the tapware you specify and instal will perform to the highest possible standard.

***Call for more information including CAD Drawings and installation instructions as well as advice on the right tapware for your project.
Yellow tapware is another quality product from FSM.***





FSM [FOOD SERVICE MACHINERY] P/L

UNIT E6, 63-85 TURNER STREET, PORT MELBOURNE, VIC 3029

WEB: www.fsm-pl.com.au EMAIL: sales@fsm-pl.com.au

TEL: (03) 8645 2555 FAX: (03) 8645 2565

OFFICES IN MELBOURNE, SYDNEY AND QUEENSLAND
SERVICE AND SUPPORT AUSTRALIA-WIDE