

TOASTMAX

CONVEYOR TOASTER



Model TM-10H

All the features of a high-end toaster... with a low-end price

The Hatco Toast-Max economy conveyor toaster offers the flexibility and performance to perfectly toast bread and buns fast – up to 300 slices per hour! Utilizing conveyor speed, not temperature, to determine toasting color, allows for instant adjustment of toasting time.

- 4-position toast selector switch: off / toast / buns / stand-by mode
- 89 mm (3½") clearance to accommodate high profile bread products
- Easy-to-load rack with front or rear discharging
- Permanently lubricated 50/60 Hz motor
- V-shaped reflectors help capture and redirect heat

- Long lasting serpentine metal sheathed heating elements
- 102 mm (4") adjustable legs
- Pilot light that signals unit is in operation
- Discharge and crumb trays are removable for easy cleaning

FSM (FOOD SERVICE MACHINERY PTY. LTD.)
HEAD OFFICE: UNIT E6, 63-85 TURNER STREET,
PORT MELBOURNE, VIC. 3207 AUSTRALIA
T: +61 3 8645 2555 F: +61 3 8645 2565
E: sales@fsm-pl.com.au W: www.fsm-pl.com.au

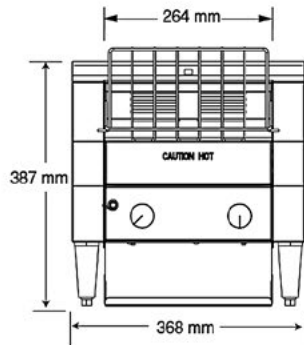
SYDNEY OFFICE:
UNIT 15, 7-9 PROGRESS CIRCUIT,
PRESTONS, NSW 2170 AUSTRALIA
T: +61 2 9608 8620 F: +61 2 9607 9370
E: sales@fsm-pl.com.au W: www.fsm-pl.com.au

QUEENSLAND:
T: 0400 099 992
E: sales@fsm-pl.com.au
W: www.fsm-pl.com.au

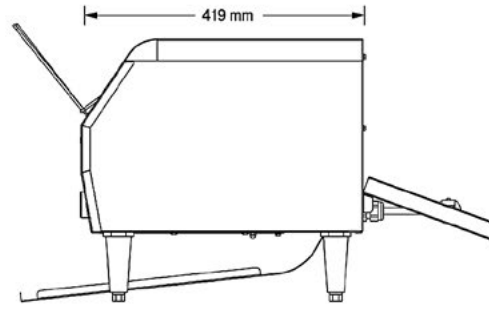


TOAST-MAX™ CONVEYOR TOASTERS

Model TM-10H



FRONT VIEW



SIDE VIEW

Models TM-10H

SPECIFICATIONS

Model	kW	Type	Cap./Min.†	Shipping Weight
TM-10H	1.9	Bread & Buns	6 slices	19 kg(41 lbs.)

† Toasting capacity may vary by product. Toasting of coated products is not recommended.

SELECTOR CHART

(Based on serving 2 slices per customer.)

Number of Customers	Serving Time TM-10H
30	12 minutes
60	24 minutes
90	36 minutes
120	48 minutes

DIMENSIONS

TM-10H: 368 W x 419 D x 387 H mm

Interior Cavity Openings:

TM-10H: 264 W x 88 mm H

Maximum Product Size:

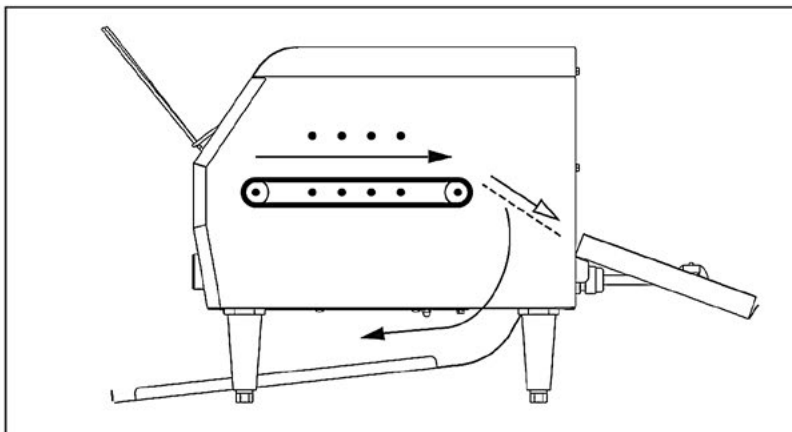
245 W x 64 mm H

CORD LOCATION

Left side of back of unit near center. Supplied with 10A plug

ELECTRIC RATING

Model	Volts	Watts	Amps	Hz
TM-10H	220-240	1940-2300	8.8-9.6	50-60



Product Flow

FSM (FOOD SERVICE MACHINERY PTY. LTD.)
HEAD OFFICE: UNIT E6, 63-85 TURNER STREET,
 PORT MELBOURNE, VIC. 3207 AUSTRALIA
 T: +61 3 8645 2555 F: +61 3 8645 2565
 E: sales@fsm-pl.com.au W: www.fsm-pl.com.au

SYDNEY OFFICE:
 UNIT 15, 7-9 PROGRESS CIRCUIT,
 PRESTONS, NSW 2170 AUSTRALIA
 T: +61 2 9608 8620 F: +61 2 9607 9370
 E: sales@fsm-pl.com.au W: www.fsm-pl.com.au

QUEENSLAND:
 T: 0400 099 992
 E: sales@fsm-pl.com.au
 W: www.fsm-pl.com.au