

Automatically switches to manual mode when batteries are low

**HANDS
FREE
safety in the
kitchen - now
a reality.**



Adjustable towel cut length and time delay for maximum convenience and economy

From San Jamar, the world leaders in commercial Food Safety Systems comes this electronic hands-free towel and soap dispenser system with safety wall sign. With long-life battery performance, there's no electrical fitout costs, and these units can be placed right where they are needed without an electrician - providing compliance and safety.

- ▶ Auto sensors and adjustable paper feed for economy
- ▶ Battery life on soap dispenser approx 80,000 cycles or 6 months
- ▶ Large 900ml soap capacity (approx 1500 portions)
- ▶ Soap dispenser operates in manual mode when the batteries are low
- ▶ Dispense any paper quality - save on paper purchases
- ▶ Wall chart provides step-by-step instructions for proper hand washing
- ▶ Use wide variety of liquids, soap, lotions or sanitisers (not pumice)
- ▶ Hands free operation complies with safety standards



Add compliance, safety and economy to your hand wash areas with the San Jamar T1440TBK Hand Washing Station.

HANDS FREE SOAP DISPENSER:

900 mL, 0.6 mL portion dispensed
305H x 140W x 102Dmm
Weight 1.5kg
4 x C Alkaline batteries (not supplied)
Replacement Pump X102523L

Wall chart
152 x 229mm



HANDS FREE TOWEL DISPENSER:

- Universal Paper Dispensing: Dispenses any paper quality, including low basis weight/high absorbent paper.
- Dispenses 20.3 cm rolls with 4 D-Size Batteries
- Default Setting: IQ Sensor with self-adjusting sensing field
- Dual Mode: IQ Sensor Mode or Towel Out Mode
- Controlled Usage
- Programmable paper length & paper delay settings
- Battery options (D-Cell; alkaline) or AC Adapter available
- Battery usage 80 rolls of 800' tissue on 4D Cell batteries in Sensing Mode. Battery life only goes up when towel out mode is activated.
- Downloadable data usage to PDA to monitor paper usage
- Infinity[®] System: automatic transfer system to eliminate stub roll waste

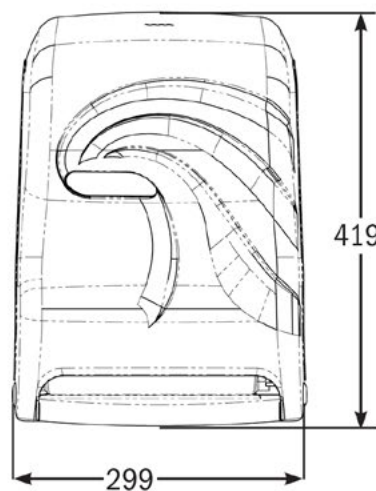
Installation: Wall mounted **Closure:** With lock

Color: Transparent Black Pearl (TBK)

Capacity:
20.3cm wide roll; 21.6cm diameter and 10.2cm stub roll

Min Core Diameter: 3.8cm **Case Weight:** 3.63 kgs

FRONT (mm)



SIDE (mm)

