



HOT or COLD in the one shelf

People who serve, products that solve.™

Serve hot buffet or cool salads/sweets on the same shelf space easily and quickly.

- ▶ Easily change between Hot or Cold in less than an hour to suit your needs
- ▶ Control Box can be remotely mounted up to 1229mm (condensor unit up to 1219 mm) from centre of the shelf
- ▶ Durable Hardcoat Traditional Aluminium Finish Drop-In or
- ▶ Flush Mount model *Swanstone*® finish food safe stone colours match your decor and other Hatco heated shelves
- ▶ Patent-pending Hatco **thermal break** reduces condensation and temperature transfer.
- ▶ Includes a remote-mountable control enclosure, with a three position power switch and two digital temperature controllers.



Hardcoat aluminum models HCSBF (above) are top mount while *Swanstone*® models HCSSBF (below) are bottom mount, flush with counter top.



Swanstone models available in three colours: Night Sky (Standard), Gray Granite or Bermuda Sand. Specify at time of order.

COUNTERTOP CUTOUT SIZES

MODEL	WIDTH		DEPTH	
	Minimum	Maximum	Minimum	Maximum
HCSBF-24-I	625 mm	635 mm	511mm	521 mm
HCSBF-36-I	930 mm	940 mm	511 mm	521 mm
HCSBF-48-I	1234 mm	1245 mm	511 mm	521 mm
	WIDTH	DEPTH		
	with 10 mm radii	with 10 mm radii		
HCSSBF-24-I	619 mm	505 mm		
HCSSBF-36-I	924 mm	505 mm		
HCSSBF-48-I	1229 mm	505 mm		
	WIDTH	DEPTH		
CONTROL BOX 256mm	(should not exceed) 332 mm	(should not exceed) 146 mm		

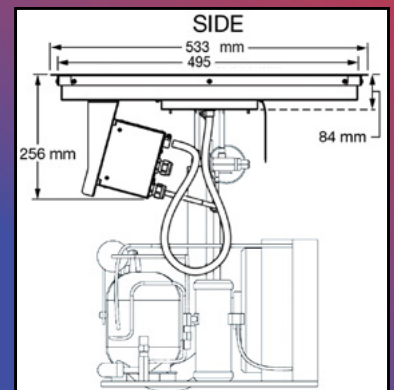
SPECIFICATIONS

CODE	DESCRIPTION	DIMENSIONS: (overall)	Watts / Amps	Compressor	Weight
HCSBF-24-I	Drop-In Hot / Cold Shelf - Hardcoat	648W x 533mmD	804 / 3.5	1/4HP	58Kg
HCSBF-36-I	Drop-In Hot / Cold Shelf - Hardcoat	953W x 533mmD	1044 / 4.5	1/3HP	68Kg
HCSBF-48-I	Drop-In Hot / Cold Shelf - Hardcoat	1257W x 533mmD	1044 / 4.5	1/3HP	84Kg
HCSSBF-24-I	Drop-In Hot / Cold Shelf - <i>Swanstone</i> ®	610W x 495mmD	804 / 3.5	1/4HP	67Kg
HCSSBF-36-I	Drop-In Hot / Cold Shelf - <i>Swanstone</i> ®	914W x 495mmD	1044 / 4.5	1/3HP	76Kg
HCSSBF-48-I	Drop-In Hot / Cold Shelf - <i>Swanstone</i> ®	1219W x 495mmD	1044 / 4.5	1/3HP	92Kg



Remote-mountable control enclosure with two digital temperature controllers.

All Hatco Hot/Cold Shelf models utilise R-404A Refrigerant.



FSM (FOOD SERVICE MACHINERY PTY. LTD.)

HEAD OFFICE:
21-23 Agosta Drive, Laverton North,
Vic. 3026 Australia
T: +61 3 9368 2300 F: +61 3 9369 3800
E: sales@fsm-pl.com.au W: www.fsm-pl.com.au

SYDNEY OFFICE:
Unit 15, 7-9 Progress Circuit,
Prestons, NSW 2170
T: +61 2 9608 8620 F: +61 2 9607 9370
E: sales@fsm-pl.com.au W: www.fsm-pl.com.au

QUEENSLAND OFFICE:
4/40 Rivergate Place,
Murarie, QLD 4172
T: +61 7 3390 4185 F: +61 7 3393 9508
E: sales@fsm-pl.com.au W: www.fsm-pl.com.au

PERTH:
T: 0413 893 311
E: sales@fsm-pl.com.au
W: www.fsm-pl.com.au