



Multi-Product Warming Stations

Models: MPWS-36, -45

Hatco's Multi-Product Warming Station safely holds hot fried foods at optimum serving temperatures in kitchen work areas. The unit is designed for maximum durability and performance, with minimum maintenance.

Standard features

- Standard side panel that attaches on right or left side
- Available as a freestanding model in two widths
- Easy access to food product
- Base heat is adjusted using a thermostatic control
- Six overhead ceramic heating elements are adjusted by two separate electronic controls—one for the rear elements and one for the front elements
- Coated shatter-resistant incandescent bulbs
- All stainless steel construction
- Master On/Off rocker switch
- Shipped with 4" (102 mm) adjustable legs
- Unit comes with a 6' (1829 mm) cord and plug, and a right/left side panel (Fry Bin Insert must be ordered separately)

Project _____

Item # _____

Quantity _____



MPWS-36 (two views) with standard detachable side panel and accessory Full Fry Bin Insert

Options (available at time of purchase only)

- Halogen bulb in lieu of incandescent display light

Accessories

Full Fry Bin Insert

- MPWS-36 (Drip Tray, Perforated Insert and 3 Dividers)
- MPWS-45 (Drip Tray, Perforated Insert and 4 Dividers)
- 4-Pleat Hardcoat Fry Box Ribbon
10.75"W x 5"D x 1.75"H (273 x 127 x 45 mm)
- 5-Pleat Hardcoat Fry Bag Ribbon
11.25"W x 5"D x 1.875"H (299 x 127 x 48 mm)
- 5" (127 mm) Side-by-Side Bag and Tong Holder
- Scoop Holder
- Angled Riser
- Fry Pan with Trivet

Chef LED Bulb in lieu of Standard Display Light – bulb must be rotated down 120V

- 2700K Similar to warm incandescent light
- 3000K Similar to warm halogen light
- 4000K Similar to cool fluorescent light

230V – CE for input voltages above 200V

- 2700K Similar to warm incandescent light
- 3000K Similar to warm halogen light
- 4000K Similar to cool fluorescent light



For operation, location and safety information, please refer to the Installation and Operating Manual.



ANSI/NSF 4

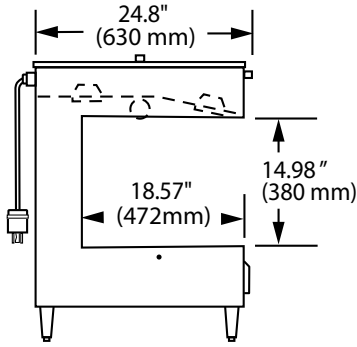




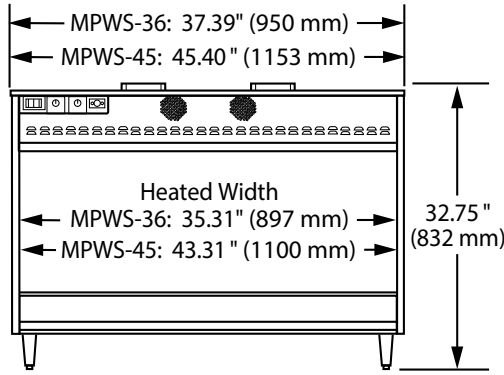
Multi-Product Warming Stations

Models: MPWS-36, MPWS-45

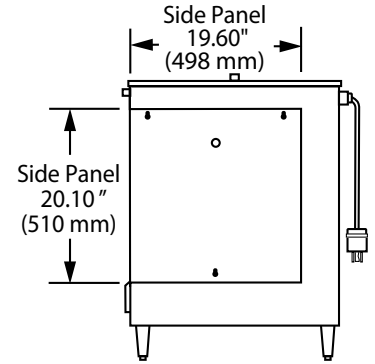
MPWS-36, -45



SIDE VIEW



FRONT VIEW



SIDE VIEW

SPECIFICATIONS

Multi-Product Warming Stations

The shaded areas contain electrical information for International models only

Model	Dimensions (W x D x H)	Volts Single Phase	Watts	Amps	Plug	Approx. Ship Weight
MPWS-36	37.39" x 24.8" x 32.75" (950 x 630 x 832 mm)	120/208	2773	14.2	NEMA L14-20P	152 lbs. (69 kg)
		120/240	2755	12.5	BS-1363	
		220	2813	12.8	Cord without Plug	
		230	3075	13.4	Cord without Plug	
MPWS-45	45.40" x 24.8" x 32.75" (1153 x 630 x 832 mm)	120/208	2799	14.3	NEMA L14-20P	170 lbs. (78 kg)
		120/240	2780	12.6	BS-1363	
		220	2844	12.9	Cord without Plug	
		230	3108	13.5	Cord without Plug	

Option Capacities

Model	Fry Pan and Trivet	Angled Risers
MPWS-36	1	3
	2	1
	0	5
MPWS-45	1	4
	2	2
	0	6

CORD LOCATION

Back side, upper left corner.

PLUG CONFIGURATIONS

NEMA L14-20P

