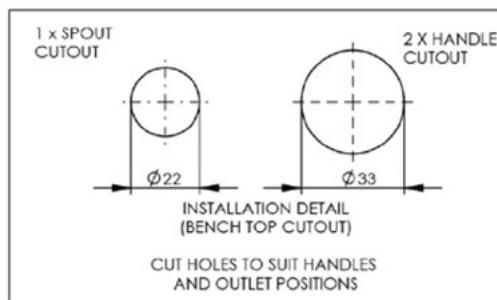
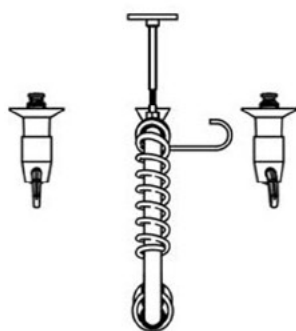
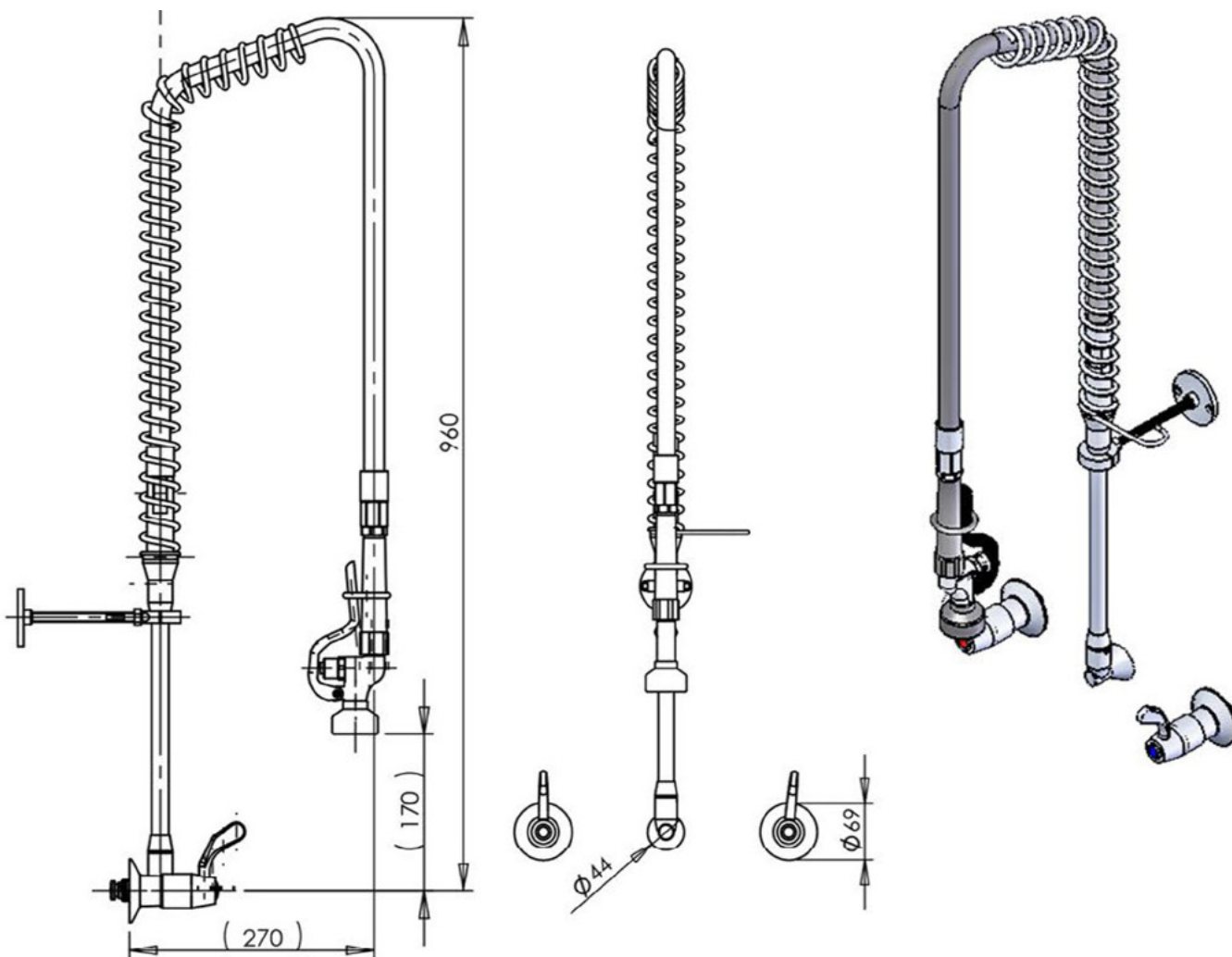


YWS021 Wall Mount Pre Rinse

Pre Rinse Assembly, including Lever operated cartridge taps, wall bracket, gun hook, Highest Quality High Pressure Hose with Spring Support, Wels 6 Star Rated, 4 Litres/minute Spray Gun Model Y729.
 Min. operating pressure 50kPa. Maximum 800kPa. Three hole mount.



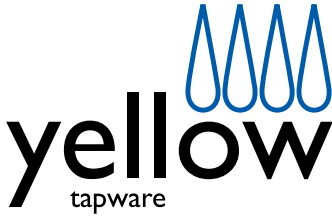
FSM (FOOD SERVICE MACHINERY PTY. LTD.)

HEAD OFFICE:
 21-23 Agosta Drive, Laverton North,
 Vic. 3026 Australia
 T: +61 3 9368 2300 F: +61 3 9369 3800
 E: sales@fsm-pl.com.au W: www.fsm-pl.com.au

SYDNEY OFFICE:
 Unit 15, 7-9 Progress Circuit,
 Prestons, NSW 2170
 T: +61 2 9608 8620 F: +61 2 9607 9370
 E: sales@fsm-pl.com.au W: www.fsm-pl.com.au

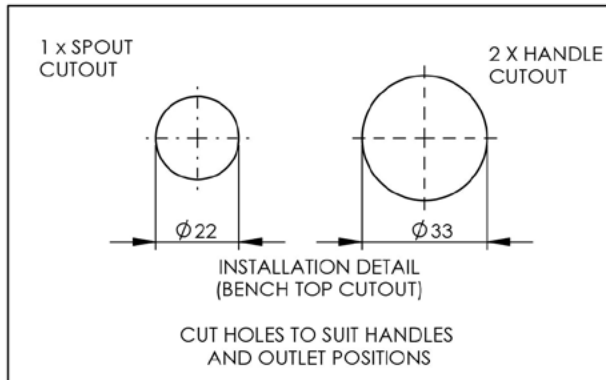
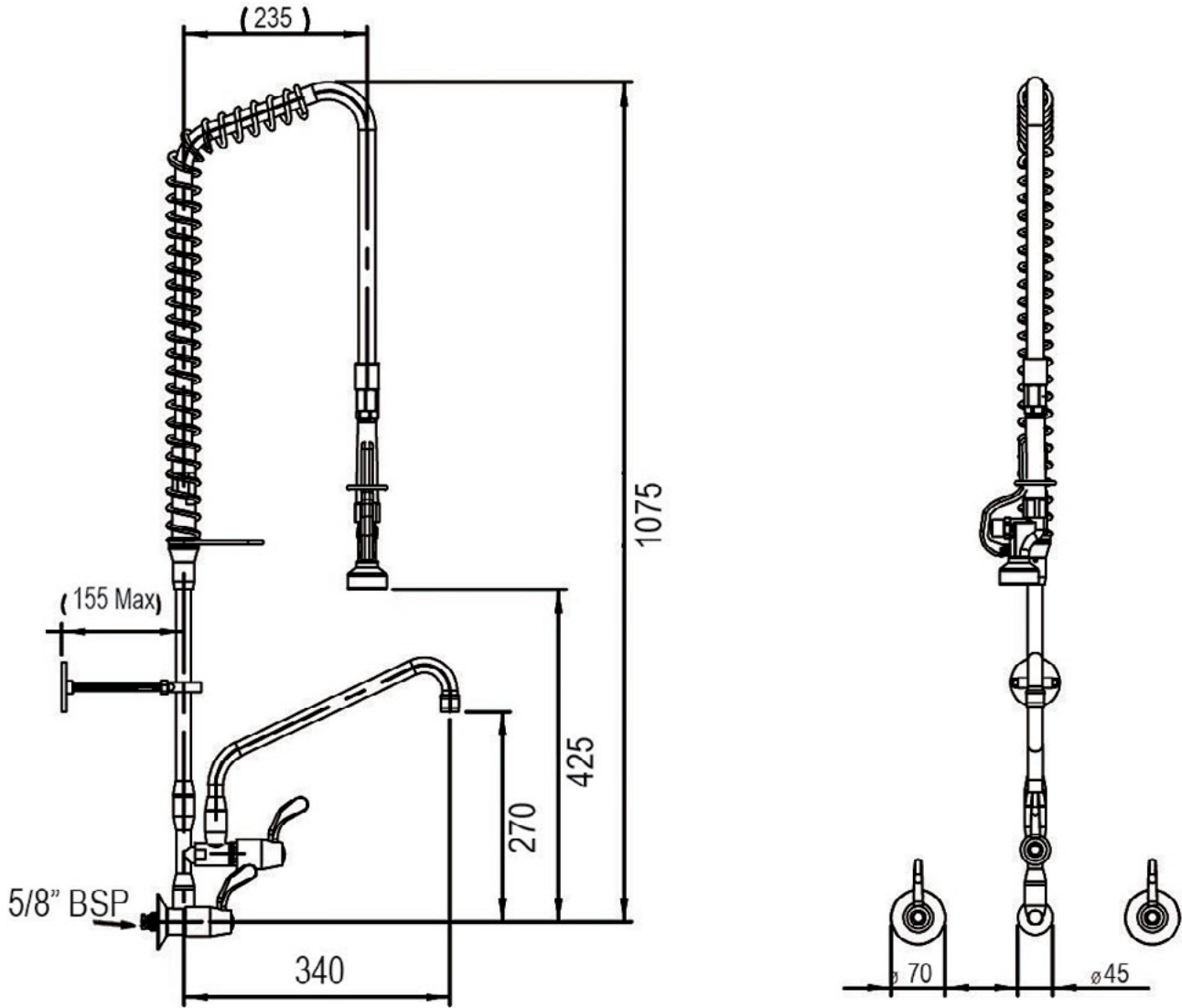
QUEENSLAND OFFICE:
 4/40 Rivergate Place,
 Murarrie, QLD 4172
 T: +61 7 3390 4185 F: +61 7 3393 9508
 E: sales@fsm-pl.com.au W: www.fsm-pl.com.au

PERTH:
 T: 0413 893 311
 E: sales@fsm-pl.com.au
 W: www.fsm-pl.com.au



YWS021 Wall Mount Pre Rinse with Y063-Y182 Swing Faucet

Pre Rinse Assembly, including Lever operated cartridge taps, wall bracket, gun hook, High Pressure Hose with Spring Support, Wels 6 Star Rated, 4 Litres/min. Spray Gun Model Y729, 300mm Swing Faucet
Wels 3 Star Rated, 8 Litres/min. Min. operating pressure 50kPa. Maximum 800kPa. Three hole mount.



FSM (FOOD SERVICE MACHINERY PTY. LTD.)

HEAD OFFICE:
21-23 Agosta Drive, Laverton North,
Vic. 3026 Australia
T: +61 3 9368 2300 F: +61 3 9369 3800
E: sales@fsm-pl.com.au W: www.fsm-pl.com.au

SYDNEY OFFICE:
Unit 15, 7-9 Progress Circuit,
Prestons, NSW 2170
T: +61 2 9608 8620 F: +61 2 9607 9370
E: sales@fsm-pl.com.au W: www.fsm-pl.com.au

QUEENSLAND OFFICE:
4/40 Rivergate Place,
Murarrie, QLD 4172
T: +61 7 3390 4185 F: +61 7 3393 9508
E: sales@fsm-pl.com.au W: www.fsm-pl.com.au

PERTH:
T: 0413 893 311
E: sales@fsm-pl.com.au
W: www.fsm-pl.com.au