



Dynamic®
SENIOR SERIES

DMX 400

Ref: MX016

DESCRIPTION

- Powerful, sturdy.
- Very handy.
- Detachable tool for easy cleaning and maintenance.
- Variable speed as standard.
- Safety button.
- Double insulation.
- Stainless steel mixer tube and guard for easy cleaning and perfect hygiene.
- Titanium-plated blade easily dismantled without any special tool.



USE

It allows to mix, directly in the pots, many applications including: fish soups, panades (thick soup reduced to puree), salad dressings, pancakes paste, gravies, sauces, mayonnaise, puree of vegetables lightly pulverized, porridge, raw carrots puree, fruits cream ...

Capacity : 20 to 40 Liters



TECHNICAL DATA	
OUTPUT MAX	350 W
SPEED	2800 to 9000 R.P.M.
VOLTAGE	110 - 120 V or 220 - 240 V
TOTAL LENGTH	740 mm
SHAFT LENGTH	400 mm
DIAMETER	97 mm
ACTUAL WEIGHT	3,7 kg

MAINTENANCE

Clean the outside of the tube and the blade protector by passing it under the faucet.

Wash the motor block with a sponge or with a slightly damp cloth.

Put the tube with the blade protector in clear water and start the machine for 3 seconds or more to clean the inside of the blade protector.

Never clean this machine with water jet spray or in the dishwasher.

ACCESSORIES



CAPACITY	20 to 40 Liters
SHAFT LENGTH AC006	300 mm
SHAFT LENGTH AC016	400 mm
SPEED R.P.M.	2 800 / 9 500

CAPACITY	5 to 20 Liters
WHISKS LENGTH	205 mm
SPEED R.P.M.	300 / 900

CAPACITY	10 to 15 kg
SHAFT LENGTH	420 mm
SPEED R.P.M.	100 / 600

CAPACITY	5 Liters
HEIGHT	600 mm
SPEED R.P.M.	400 / 1 500

STANDARD MOTOR BLOCK



Ref.: AC005

Mixer tools



M300

Ref.: AC006



M400

Ref.: AC016

Extractable whisks



Ref.: AC007

Ricer tool



Ref.: AC004

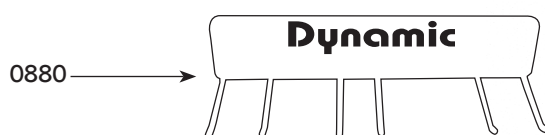
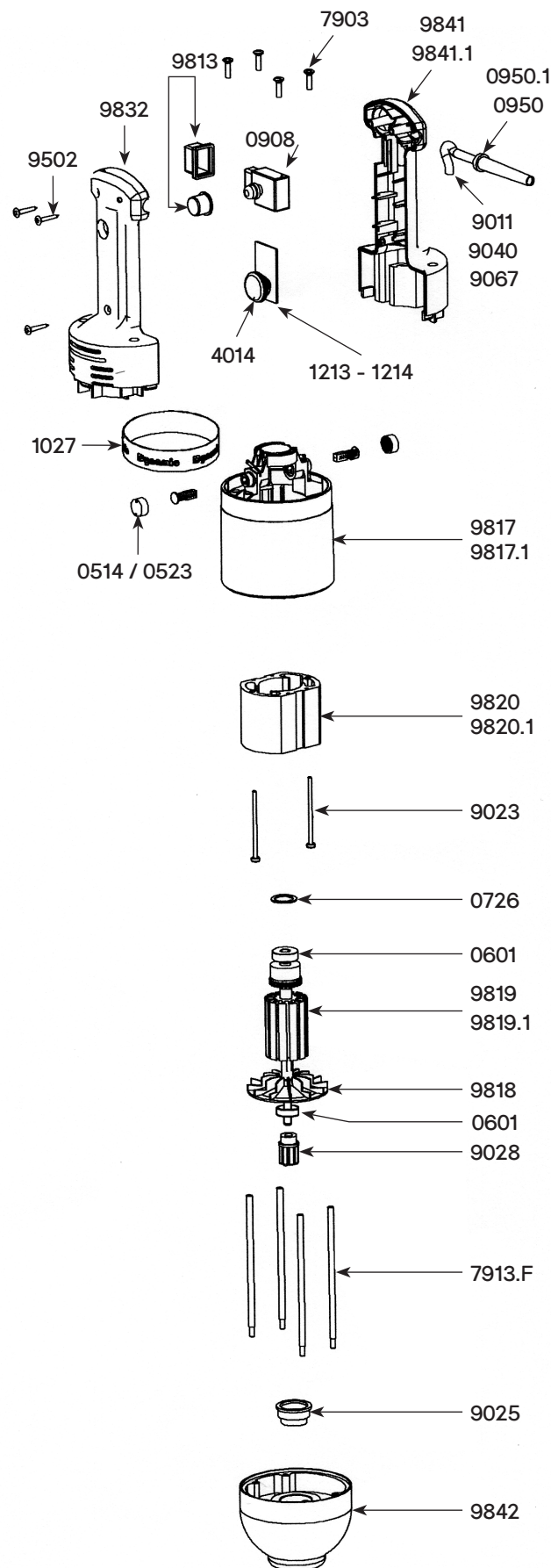
Cutter bowl with a selection of knives (standard or serrated)

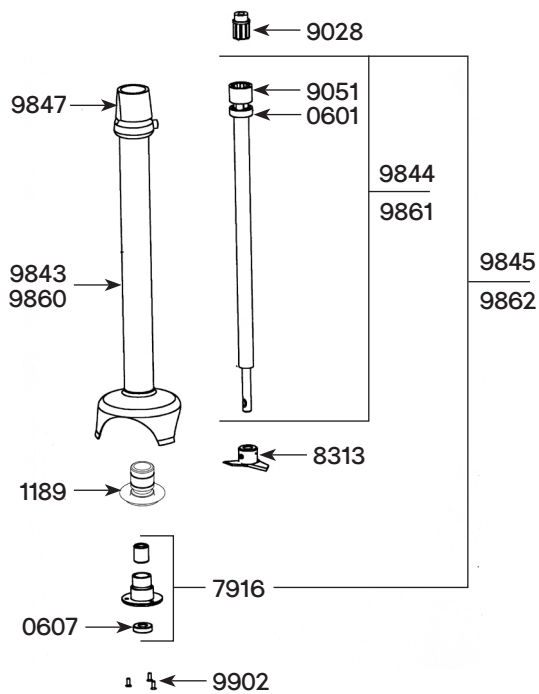


Ref.: AC055

TECHNICAL SHEET

Parts list	Code
Carbon brushes (2) (230V)	0514
Carbon brushes (2) (115V) (from N°130425)	0523
Ball bearing	0601
Squeezing washer	0726
Wall bracket	0880
Non-locking switch	0908
Capacitor	0972.1
Strain relief 230 V	0950
Strain relief 115V	0950.1
Warning label	1083
Dynamic label	1027
Label w/ serial number 230 V	1071
Label w/ serial number 115 V	1072
Variable speed control board 230 V	1213
Variable speed control board 115 V	1214
Variable speed control knob	4014
Brace screws (4)	7903
Braces (4)	7913.F
Power cord 230 V	9011
Stator screws (2)	9023
Self-lubricating ring	9025
Coupler for armature	9028
Power cord 115 V	9040
Power cord (UK)	9067
Handle screws (3)	9502
Switch protector	9813
Upper motor casing (230V)	9817
Upper motor casing (115V) (from N°130425)	9817.1
Fan	9818
Rotor w/ o coupling 230 V	9819
Rotor w/o coupling 115 V	9819.1
Stator 230 V w/ carter, carbon brushes holders	9820
Stator 115 V w/ carter, carbon brushes holders	9820.1
Upper half handle	9832
Complete handle 230 V	9840
Complete handle 115 V	9840.1
Lower half handle w/ label 230 V	9841
Lower half handle w/ label 115 V	9841.1
Aluminium carter + ball bearing	9842





M400 SENIOR - Ref AC016
(Complete attachment)

Parts list

Code

Parts list	Code
Ball bearing	0601
Waterproof seal for mixer tool	0607
Bearing holder + seal	1189
Lower ball bearing assembly (w/ o screws)	7916
Cutter blade (w/ screw)	8313
Coupler for armature	9028
Coupling casing + pins	9051
Tube assembly + bearing	9860
Shaft & coupling sleeve	9861
Shaft, lower bearing & cutter assembly	9862
Lower bearing screws - Stainless steel (3)	9902