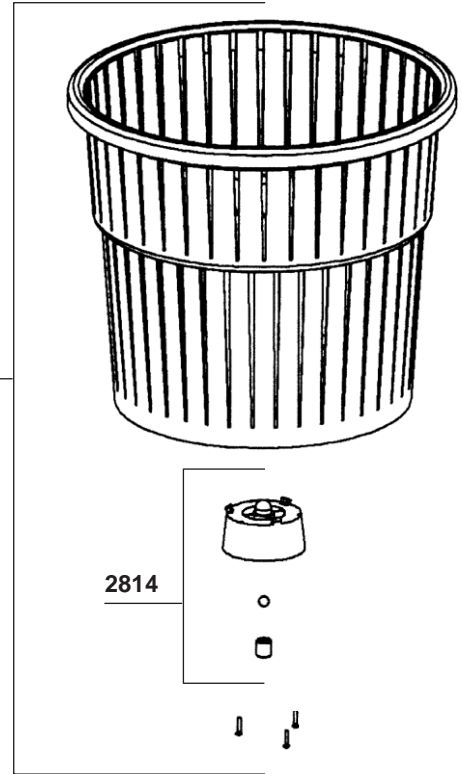


Parts list

Code

Waterproof seal 14 x 24 x 7	0644
Waterproof seal 25 x 37 x 6	0645
O. Ring	0646
Screws TBF 3.9 x 14	079958
Outside basket	2801
Perforated drive gear + pin	2806
Large gear	2807
Small gear	2808
Axle for outside basket	2810
Pin for large gear	2811
Axle for drive & small gear	2813
Axle	2814
Set of gears (2806, 2807, 2808, 2811, 2822)	2815.2
Handle only	2820
Small cover (w/ o handle & drive gear)	2821
Output small gear	2822
Equipped cover (O. Ring + Waterproof seal)	2823
Coupling sleeve	2824
Inside basket	2825
Small cover with handle & gear	2826
Complete cover	2827
Plate + screws (3)	2828
Screws (4)	9014

2825



2814

← 2810

2801

