

Parts list

Code

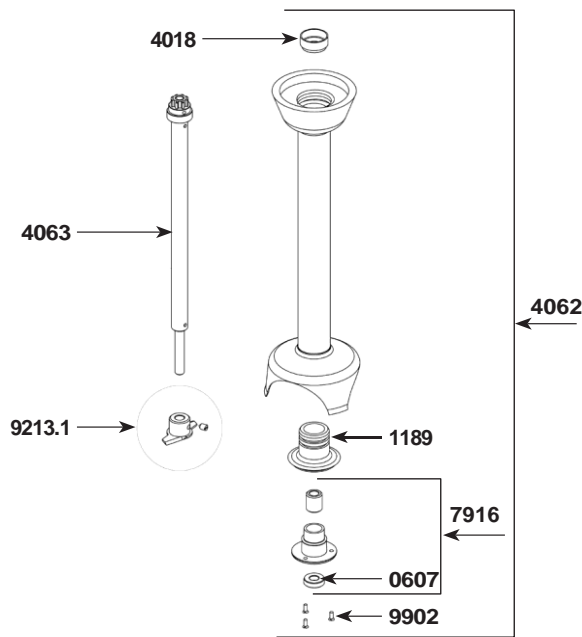
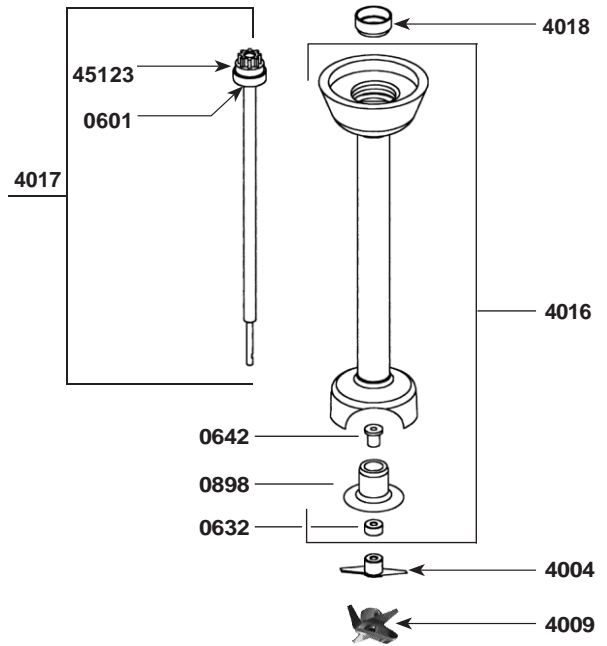
Stator 230 V	0535
Stator 115 V	0535.1
Lower ball bearing motor	0601
Upper ball bearing motor	0607.2RS
Wall bracket	0880.1
Non-locking switch	0908
Strain relief 230 V	0950
Strain relief 115 V	0950.1
Dynamic label	1027
Id label (Junior Plus) 230V	1084
Id label (Junior Plus) 115V	1085
Id label (Junior Combi) 230V	1086
Id label (Junior Combi) 115V	1087
Speed variator 230V	1213
Speed variator 115V	1214
Upper motor housing	4002
Braces (4)	4005
Ball bearing ring	4006
Complete handle w/ power cord 230V	4010
Complete handle w/ power cord 115V	4010.1
Lower half handle w/ Junior Plus label 230V	4011
Lower half handle w/ Junior Plus label 115V	4011.1
Filtering capacitor 230 V	4012
Filtering capacitor 115 V	4012.1
Coupling	4013
Speed variator knob	4014
Lower aluminium motor housing	4015
Complete handle w/ power cord 230V	4030
Complete handle w/ power cord 115V	4030.1
Lower half handle w/ Junior Combi label 230V	4031
Lower half handle w/ Junior Combi label 115V	4031.1
Carbon brushes (2) 230 V	4050
Carbon brushes (2) 115 V	4050.1
Brace screws (4)	7903
Power cord 230 V	9011
Power cord 115 V	9040
Power cord (Australia)	9066
Power cord (UK)	9067
Handle screws (3)	9502
Switch protector	9813
Upper half handle Junior Plus & Junior Combi	9832

JUNIOR Accessories

M 225 - Ref AC101 (Complete attachment)

Parts list Code

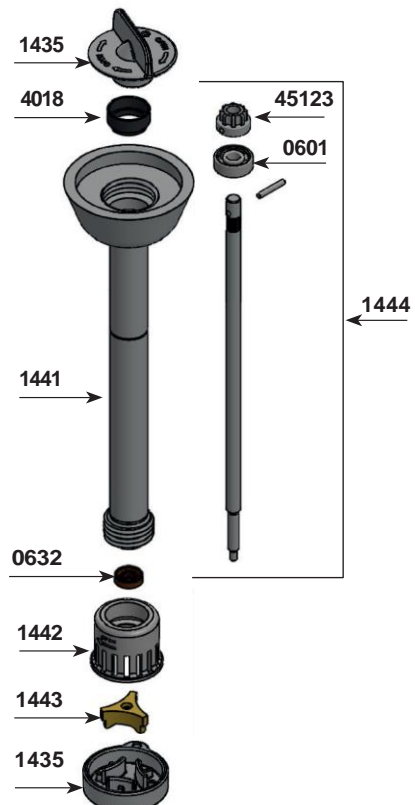
Ball bearing	0601
Waterproof seal	0632
Self-lubricating ring	0642
Bearing only	0898
Cutter blade	4004
Emulsifying blade	4009
Foot assembly with bearing	4016
Kit w/ shaft lower ball bearing and coupling	4017
Ball bearing ring	4018
Coupling hub	45123



M300 JUNIOR - Ref AC105 (Complete attachment)

Parts list Code

Ball bearing	0601
Waterproof seal for mixer tool	0607
Bearing holder + ring	1189
Ball bearing ring	4018
Foot assembly with bearing	4062
Kit w/ shaft lower ball bearing and coupling	4063
Lower bearing assembly	7916
Cutter blade with screws	9213.1
Lower bearing screws - Stainless steel	9902
Coupling hub	45123

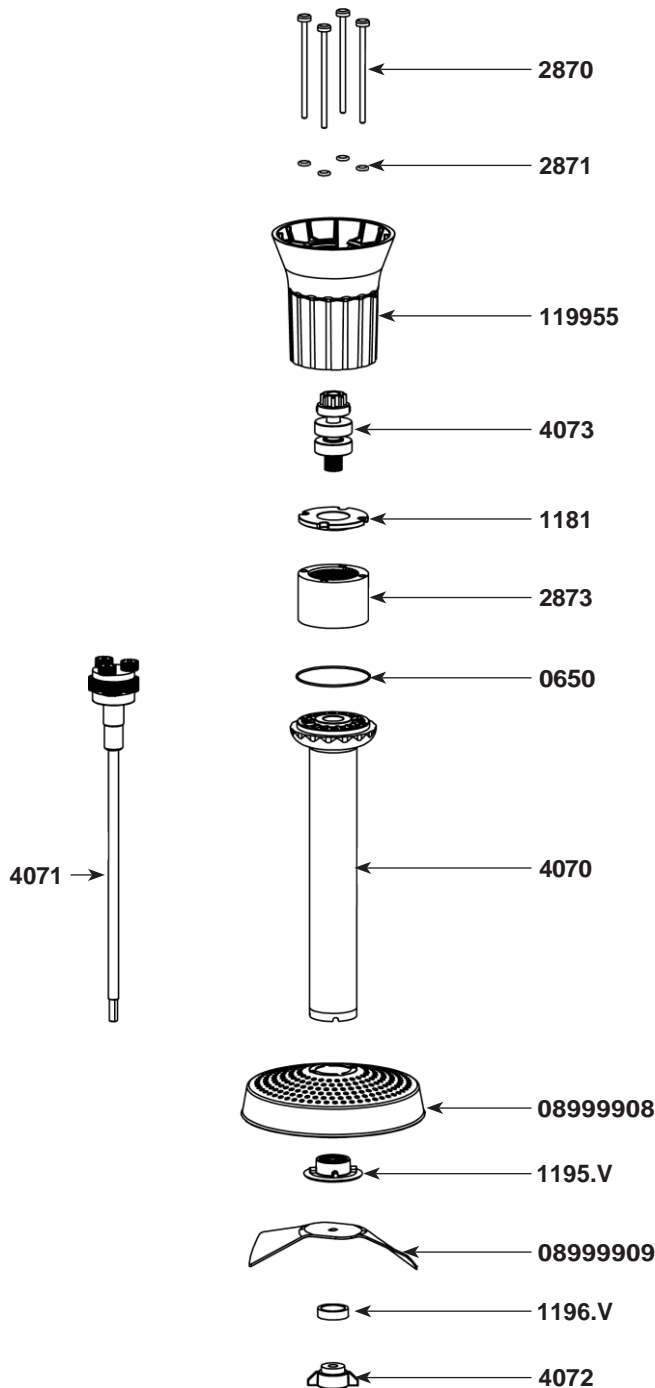


Blender Junior - Ref AC066 (Complete attachment)

Parts list Code

Ball bearing	0601
Waterproof seal	0632
Dismounting tool	1435
Foot assembly with bearing	1441
BLENDER DYNAMIX bell	1442
BLENDER DYNAMIX crushing knife	1443
Shaft (coupling, pin, O ring)	1444
Ball bearing ring	4018
Coupling hub	45123

Ricer tool Junior - Ref AC103
(Complete attachment)



Parts list

Code

Parts list	Code
Potato grid Junior	08999908
Potato blade Junior	08999909
O. ring	0650
Secured washer	1181
Grid holder	1195.V
Compression washer	1196.V
Ricer inferior carter Junior	119955
Handle screws (x 4)	2870
O. ring (x 4)	2871
Interior geared crown	2873
Equipped spacer for potato ricer Junior	4070
Equipped output shaft Junior	4071
Nut holder + nut Junior	4072
Equipped upper shaft Junior	4073

WHISK JUNIOR - Ref AC102

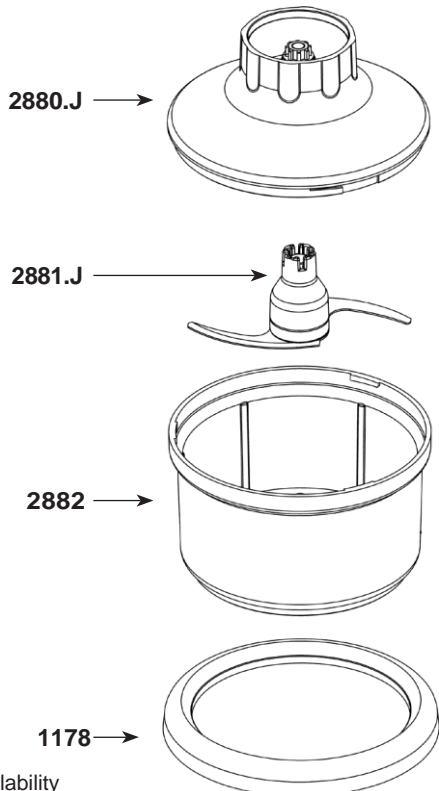
Parts list

Code

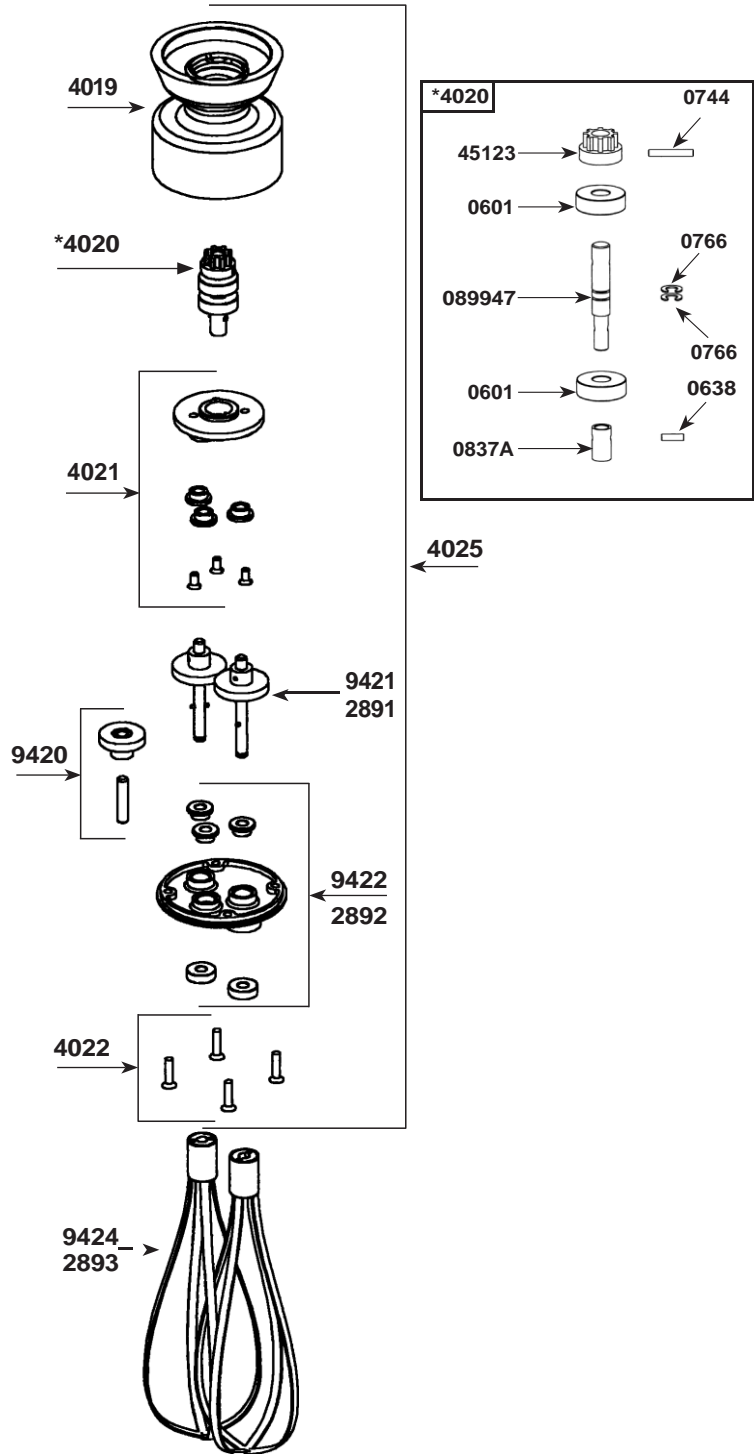
Ball bearing	0601
Pins 3 x 10	0638
Pins 3 x 20	0744
Open head locking washer (unit)	0766
Entry gear	0837A
Lower motor whisk housing	4019
Equipped upper shaft (complete)	4020
Plate w/ seals and screws	4021
Holder assembly screws (4)	4022
Reduction gear assembly	4025
Middle gear & shaft	9420
Equipped output axle w/ 2 gears+pins	9421
Holder assembly w/ 3 self-lubricating rings	9422
Whisk tool (2)	9424
Coupling hub	45123
Upper driving shaft	089947

Extractable version (from 01/01/2105)

Equipped output shaft w/2gears + pins	2891
Holder assembly w/ 3 self-lubricating rings	2892
Whisks (2)	2893



*Upon stock availability



CUTTER BOWL JUNIOR - Ref AC104

Parts list

Code

Base	1178.V
Equipped cover	2880.J
Blade	2881.J
Bowl	2882