



Dynamic®

SMX

SMX 600 TURBO

Ref : MX002T



DESCRIPTION

- Special huge volumes, collective kitchens and intensive use.
- The new cooling technology ensures longer life to the mixer.
- All stainless steel mixer tool and handle support.
- Non detachable mixer tool : ensures durability of the mixer.
- The continuous function auto run button allows to mix continuously or pulse.
- Double insulation.
- Titanium-plated blade easy to remove.
- Easy manipulation into the pot thanks to its specific support bracket.

ACCESSORIES



Pan support and wall mounting brackets.

USE

The SMX 600 Turbo has been designed to work in containers holding up to 300 liters.

It allows you to blend purees, mix and emulsify directly in the cooking pot. Indispensable for the preparation of soups, salad dressings, gravy, sauces, mayonnaise, refried beans, batters, and many other products.

The constant speed permit successful fine and delicate mixtures.

Capacity : 75 to 300 L.

MAINTENANCE

Put the tube with the blade protector in clear water and start the machine for 3 seconds or more to clean the inside of the blade protector. Beware of splashing that could penetrate through the engine's ventilation slots and damage it.

Clean the outside of the tube and the blade protector by passing it under the faucet.

Never clean this machine with water jet spray or in the dishwasher.

Wash the motor block with a sponge or with a slightly damp cloth.

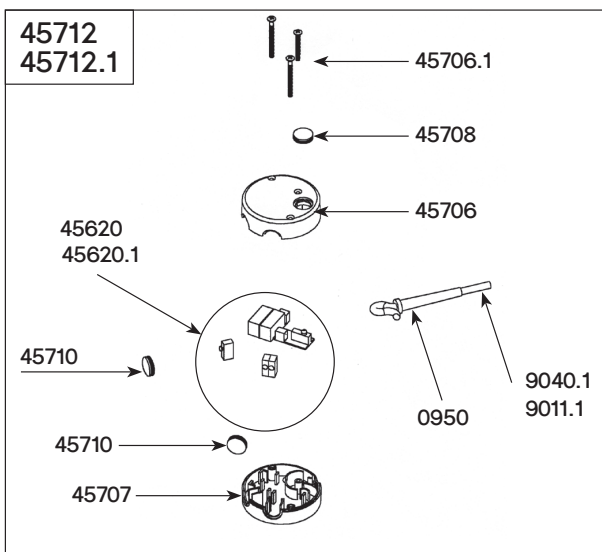
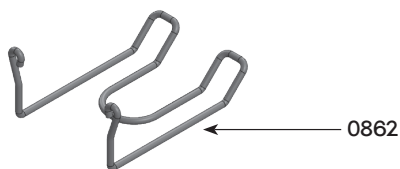
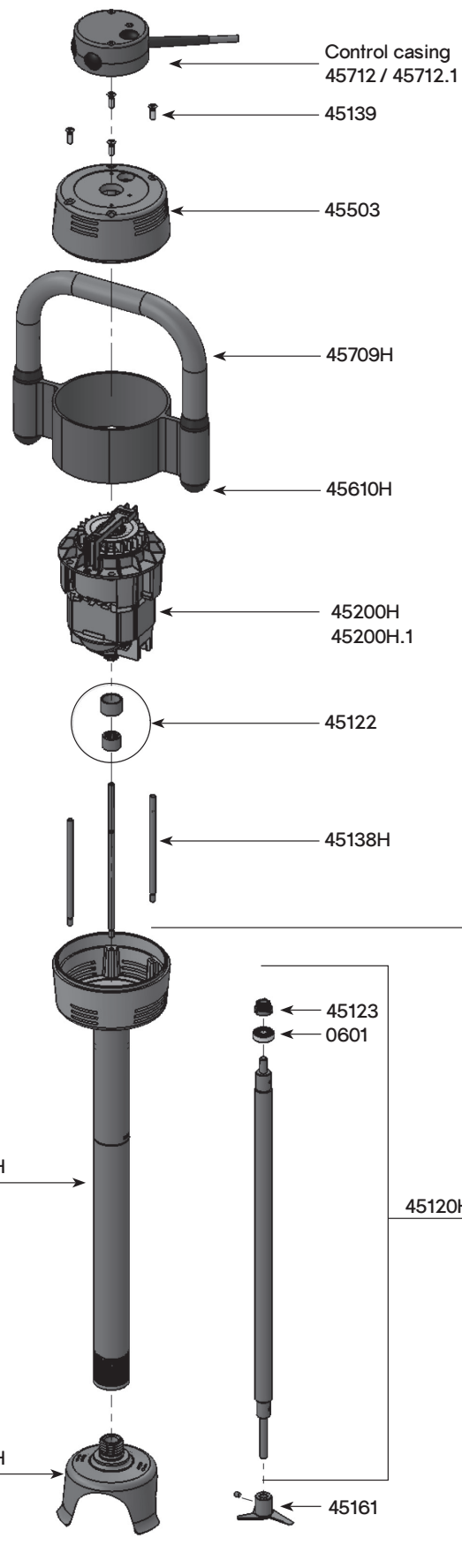


TECHNICAL DATA

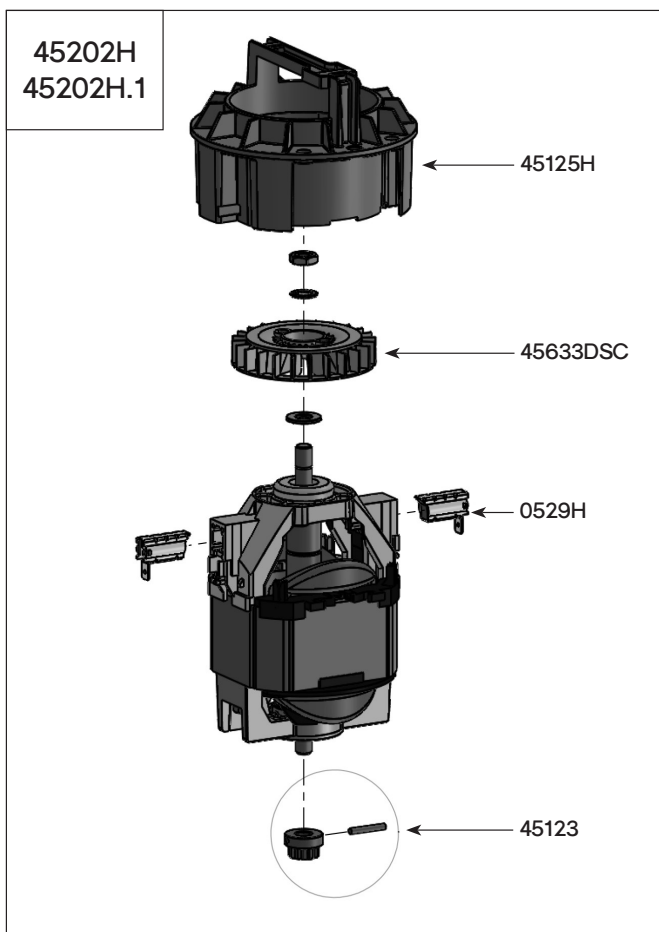
OUTPUT MAX	850 W
SPEED	11 000 R.P.M.
VOLTAGE	110-120 V or 220-240 V
TOTAL LENGTH	800 mm
SHAFT LENGTH	530 mm
DIAMETER	125 mm
ACTUAL WEIGHT	6,1 kg

TECHNICAL SHEET

Parts list	Code
Ball bearing	0601
Wall bracket	0862
Strain relief 220-240 V	0950
Power cord (220-240 V)	9011.1
Power cord (110-120V)	9040.1
Shaft & ball bearing	45120 H
Coupling sleeves	45122
Motor & shaft drive sprocket	45123
Lower ball bearing assembly	45130 H
Braces (4)	45138 H
Brace screws (4)	45139
Cutter blade w/ screw	45161
Motor 220-240 V	45200H
Motor 110-120 V	45200H.1
Top housing	45503
Handle cap 2	45610H
Circuit board (220-240 V)	45620
Circuit board (110-120 V)	45620.1
Screws control case set	45706
Screws control case set	45706.1
Lower housing (orange plastic piece)	45707
Handle cap protector (1)	45708
Sleeve & complete handle & label & cap	45709H
Handle cap protector (1)	45710
Complete control casing 220-240V	45712
Complete control casing 110-120V	45712.1
Foot assembly w / lower bearing	45720H
Complete foot assembly	45722H



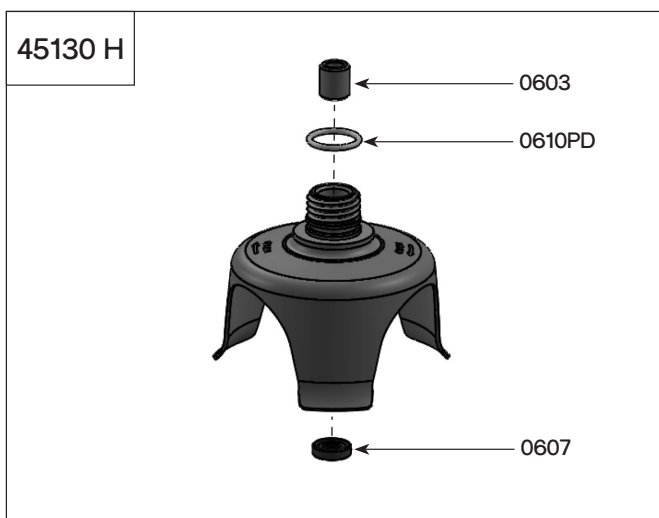
TECHNICAL SHEET



Parts list

Code

Brushes (2)	0529H
Motor & shaft drive sprocket	45123
Fan housing Plastic	45125H
Plastic Fan	45633DSC



Parts list

Code

Self-lubricating ring	0603
Waterproof seal	0607
O. ring	0610PD

SM 4/6/8/10/12 MIXER SUPPORTS

Parts list	Code
Tightening knob	0701
Tightening knob	0707
White knob (x2)	0728
Plastic caps	45610
Plastic holder for tube	45900
SENIOR plastic holder for tube	45900.S
Orange half moon + screws + washer	45900.1
SENIOR orange half moon + screws + washer + block	45900.2
60 mm width bracket	45901
20 mm width bracket	45902
Exterior stop (x2)	45610.S

