



## JUNIOR PLUS



WWW.DYNAMICMIXERS.COM

JUNIOR SERIES



Ref. MX021.V



1.25 / 6.5 gal.

## TECHNICAL DATA

## ADVANTAGES

<b>OUTPUT MAX</b>	<b>270 W</b>
<b>SPEED</b>	0 to 11,000 R.P.M.
<b>VOLTAGE</b>	115 V or 230 V
<b>TOTAL LENGTH</b>	505 mm / 19.8"
<b>SHAFT LENGTH</b>	225 mm / 9"
<b>DIAMETER</b>	94 mm / 3.7"
<b>ACTUAL WEIGHT - SHIPPING WEIGHT</b>	1,9 kg / 4.2 lbs - 2,3 kg / 5.1 lbs
<b>MIXER TOOL</b>	DETACHABLE

- Lightweight, sturdy and handy
- Safety button
- Double insulation
- Stainless steel mixer tube and guard for easy cleaning and perfect hygiene
- Detachable mixer tool for easy cleaning and maintenance
- Titanium-plated blade easy to remove
- Variable speed as standard



## MAINTENANCE

## USE

Clean the outside of the tube and the blade protector by passing it under the faucet.

Wash the motor block with a sponge or with a slightly damp cloth.

**Never clean this machine with a water jet spray.**

It allows to mix, directly in the pots, many applications including: fish soups, panades (thick soup reduced to puree), salad dressings, pancakes paste, gravies, sauces, mayonnaise, puree of vegetables lightly pulverized, porridge, raw carrots puree, fruits cream ...

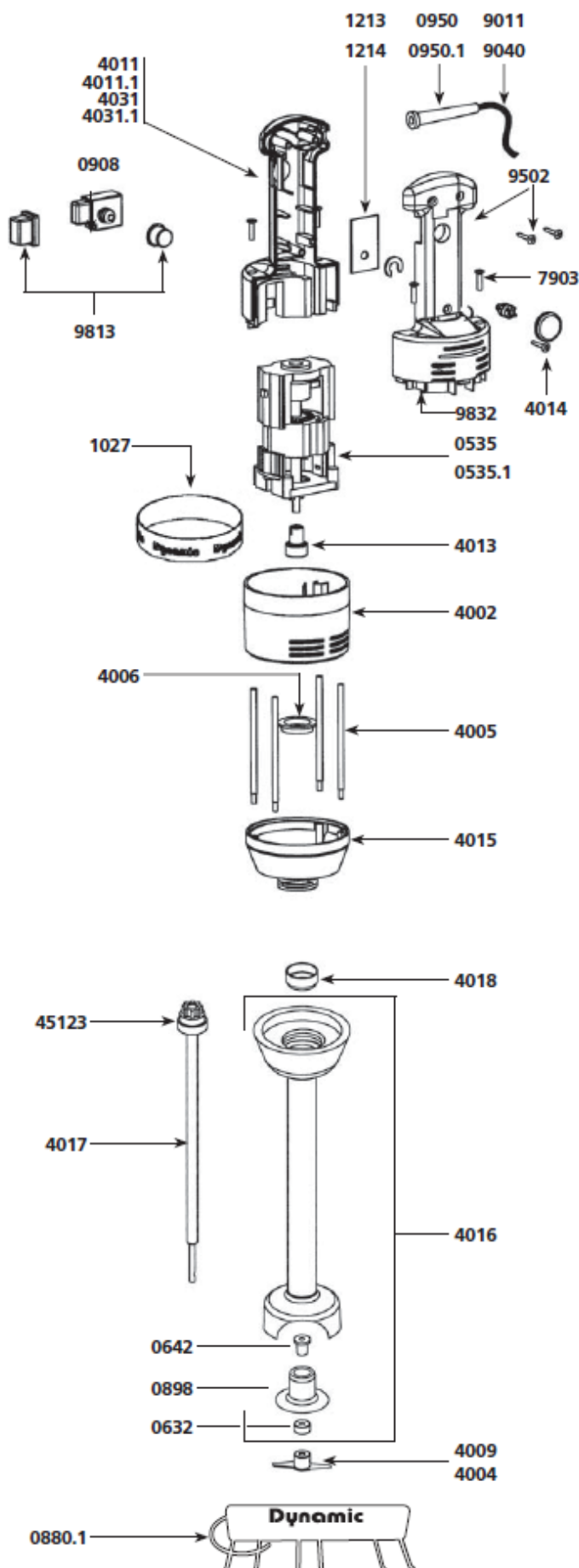
**Capacity:** 5 to 25 L / 1.25 to 6.5 gal.

518 rue Léo Baekeland - BP57 - 85290 Mortagne / Sèvre  
Tèl : +33 (0)2 51 63 02 72 - Fax : +33 (0)2 51 63 02 73  
E-mail : [contact@dynamicmixers.com](mailto:contact@dynamicmixers.com)



# Dynamic

## JUNIOR PLUS AND JUNIOR COMBI MIXERS



### Power Unit

Parts list	Code
Stator 230 V	0535
Stator 115 V	0535.1
Wall bracket	0880.1
Non-locking switch	0908
Strain relief 230 V	0950
Strain relief 115 V	0950.1
Dynamic label	1027
Id label (Junior Plus) 230V	1084
Id label (Junior Plus) 115V	1085
Id label (Junior Combi) 230V	1086
Id label (Junior Combi) 115V	1087
Speed variator 230V	1213
Speed variator 115V	1214
Upper motor housing	4002
Braces (4)	4005
Ball bearing ring	4006
Complete handle w/ power cord 230V	4010
Complete handle w/ power cord 115V	4010.1
Lower half handle w/ Junior Plus label 230V	4011
Lower half handle w/ Junior Plus label 115V	4011.1
Filtering capacitor	4012
Coupling	4013
Speed variator knob	4014
Lower aluminium motor housing	4015
Complete handle w/ power cord 230V	4030
Complete handle w/ power cord 115V	4030.1
Lower half handle w/ Junior Combi label 230V	4031
Lower half handle w/ Junior Combi label 115V	4031.1
Carbon brushes (2) 230 V	4050
Carbon brushes (2) 115 V	4050.1
Brace screws (4)	7903
Power cord 230 V	9011
Power cord 115 V	9040
Power cord (Australian)	9066
Power cord (UK)	9067
Handle screws (3)	9502
Switch protector	9813
Upper half handle Junior Plus & Junior Combi	9832
Complete motor block (see machine catalogue)	AC100

### Complete foot assembly

Parts list	Code
Waterproof seal	0632
Self-lubricating ring	0642
Bearing only	0898
Cutter blade	4004
Emulsifying blade	4009
Foot assembly with bearing	4016
Kit w/ shaft lower ball bearing and coupling	4017
Ball bearing ring	4018
Coupling hub	45123
Complete Junior foot (see machine catalogue)	AC101