



GEW1050E Microwave

The General GEW1050E Microwave is the feature packed model for the value conscious user.

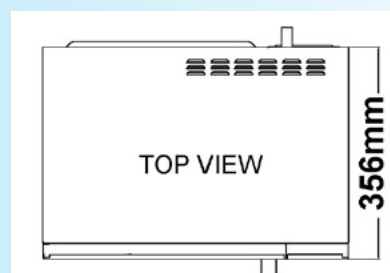
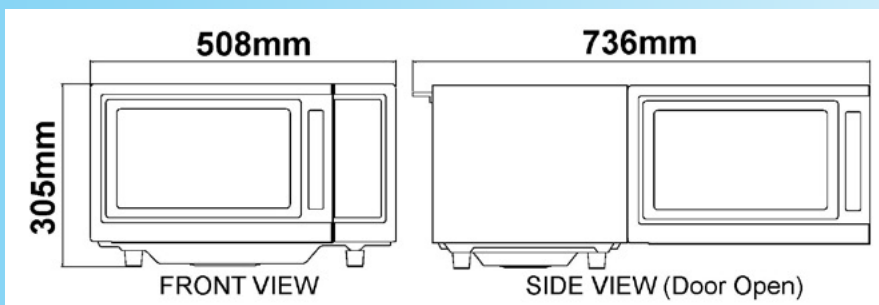


Designed for simplicity of use and performance on a budget, these units offer durable construction with large metal handle, Stainless Steel exterior and interior, ten (10) different power levels, multi stage cooking, ten digital stored programs, touch pad and 1000W cooking power. All General Microwaves come with a 13 month back to base parts and labour warranty for peace of mind.

Model:	GEW1050E
Cavity Size:	28.3 Litres
Electrical:	240V 50Hz 1500W 6.3A
Power Output:	1000 Watts
Power Consumption:	1500 Watts
Power Levels:	10 levels
Memory Capacity:	10 menus
Interior /Exterior:	Stainless Steel
Control Method:	Digital Touch-Pad
Display:	LED Lighted Display
Multi-stage/Qty cooking:	Yes
Net/Shipping Weights:	17Kg / 19Kg
Dimensions:	508 (W) x 356 (D) x 305 (H)



Supplied with cord and 10A plug



(FOOD SERVICE MACHINERY PTY. LTD.)

HEAD OFFICE:

21-23 Agosta Drive, Laverton North,
Vic. 3026 Australia
T: +61 3 9368 2300 F: +61 3 9369 3800
E: sales@fsm-pl.com.au W: www.fsm-pl.com.au

SYDNEY OFFICE:

Unit 15, 7-9 Progress Circuit,
Prestons, NSW 2170
T: +61 2 9608 8620 F: +61 2 9607 9370
E: sales@fsm-pl.com.au W: www.fsm-pl.com.au

QUEENSLAND OFFICE:

4/40 Rivergate Place,
Murarrie, QLD 4172
T: +61 7 3390 4185 F: +61 7 3393 9508
E: sales@fsm-pl.com.au W: www.fsm-pl.com.au

PERTH:

T: 0413 893 311
E: sales@fsm-pl.com.au
W: www.fsm-pl.com.au