

# **i***inc*

**04X SERIES FOOD WASTE DISPOSERS**

**INSTALLATION, OPERATING AND MAINTENANCE MANUAL**

**PLEASE LEAVE WITH OPERATOR**



**904X / 1204X / 1604X SERIES 3**

***FSM***  
*Excellence since 1976*

For all service, warranty or  
spare parts requirements,  
please call

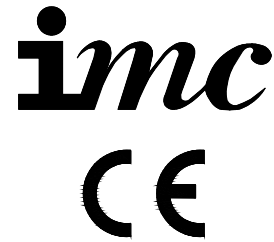
**03 9368 2300**



**EC DECLARATION OF CONFORMITY**

(Guarantee of Production Quality)

We, Imperial Machine Company Limited of:  
Unit 1, Abbey Road, Wrexham Industrial Estate, Wrexham, LL13 9RF  
Declare under our sole responsibility that the machine

**904X / 1204X / 1604X – SERIES 3**

As described in the attached technical documentation is in conformity with the Machine Safety Directive 89/392/EEC as amended by 91/368/EEC and 93/44/EEC and is manufactured under a quality system EN 29001. It is also in conformity with the protection requirements of the Electro Magnetic Compatibility Directive 89/336/EEC and is manufactured in accordance with harmonised standards EN 50-081-2 Generic Emission and EN 50-082-2 Generic Immunity (plus product specific standards).

It also satisfies the essential requirements of the Low Voltage Directive 73/23/EEC amended by 93/68/EEC.

A handwritten signature in black ink, appearing to read 'S Witt', is positioned above the approval text.

Approved by S Witt, Product Support Manager

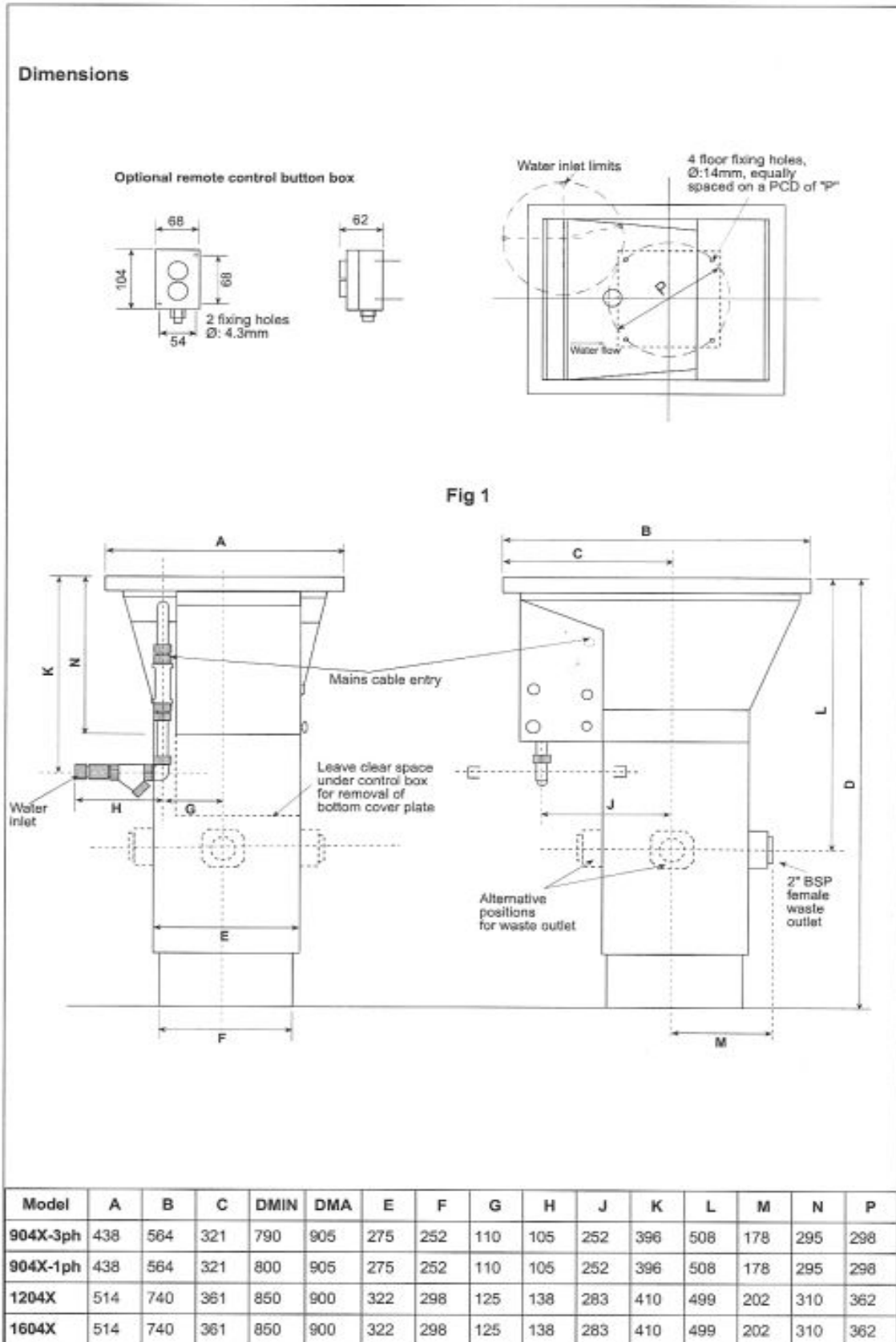
Signed at Wrexham, Date.

April 2007

## INDEX

MACHINE DIMENSIONS .....	3
INSTALLATION AND HEIGHT ADJUSTMENT .....	4
FITTING CONTROL BOX AND SAFETY BAFFLE.....	4
INTRODUCTION .....	5
ON DELIVERY.....	5
GUARANTEE .....	6
INSTALLATION OPTIONS.....	6
SELECTION OF SITE .....	6
SILVER SAVER (OPTIONAL EXTRA).....	6
ORDER OF CONNECTION FOR ALL INSTALLATION OPTIONS .....	7
INSTALLATION METHOD 1 – FREE STANDING MACHINES .....	7
INSTALLATION METHOD 2 – UNDER TABLING WITH HOPPER RIM ATTACHMENT .....	9
INSTALLATION METHOD 3 – UNDER TABLING WITH WELDED ATTACHMENT .....	11
ATTACHMENT OF CONTROL BOX.....	12
SUPPLY CONNECTION .....	13
FITTING OF REMOTE CONTROL BUTTON BOX .....	15
TESTING .....	15
OPERATION OF MACHINE .....	16
RELEASING A JAM.....	17
MAINTENANCE .....	17
USAGE .....	17
ORDERING SPARE PARTS .....	18
WIRING DIAGRAM – SINGLE PHASE.....	19
WIRING DIAGRAM – THREE PHASE .....	19
SEAL ASSEMBLY .....	22
MODEL 904X.....	23
- PARTS ILLUSTRATION .....	23
- PARTS LIST .....	24
MODELS 1204X & 1604X .....	26
- PARTS ILLUSTRATION .....	26
- PARTS LIST .....	27

MACHINE DIMENSIONS



## INSTALLATION AND HEIGHT ADJUSTMENT

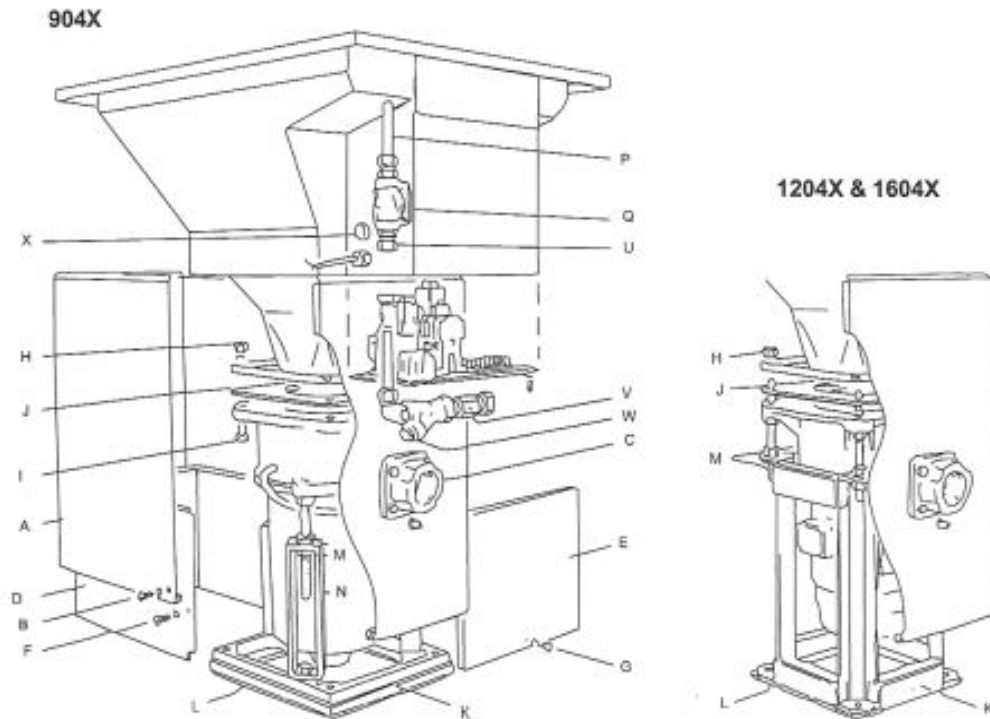


Fig 2

## FITTING CONTROL BOX AND SAFETY BAFFLE

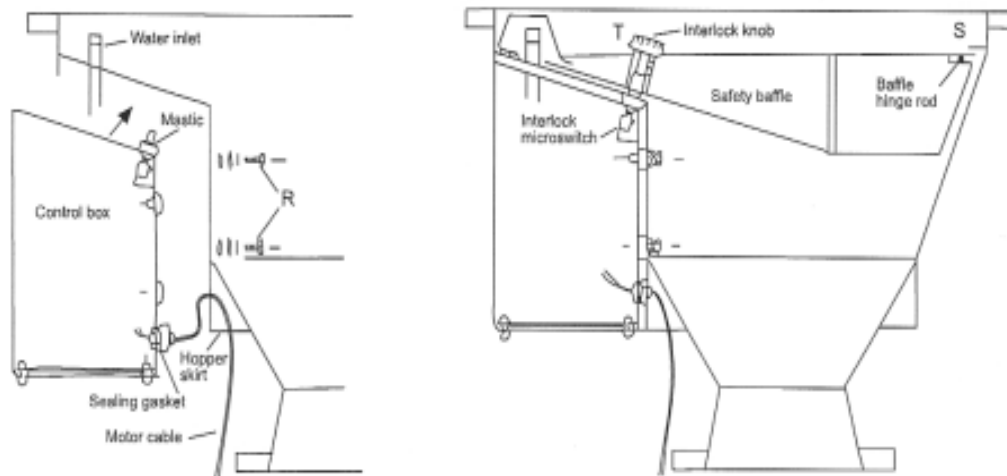


Fig 3

## INTRODUCTION

This machine is intended for the disposal of food waste matter by maceration under an automatic water flow and discharge into the drainage system.

There are three versions: -

- 904X with motor size 1.5HP (1.1kW)
- 1204X with motor size 3.0HP (2.2kW)
- 1604X with motor size 5.5HP (4.0kW)

Please select your preferred installation method and read these instructions carefully for trouble-free installation and operation.

**Please observe these instructions carefully.**

The guarantee applies in this form to installations within the United Kingdom. Contact your Food Waste Disposer supplier first.

## ON DELIVERY

Depending on despatch method, the machine may or may not be packaged in a carton.

Please check the contents against the following list and notify both the Carrier and Supplier within three days if anything is missing or damaged.

**EITHER -**

**Fully assembled 04X Food Waste Disposer with following items loose: -**

Description	Quantity
Release Key	1
Feeding Pusher	1
Rubber Floor Sealing Gasket	1
Instruction Handbook	1
Self-adhesive Operating Instruction Plaque	1
Hopper Rim (Optional)	1
Remote Control Button Box (Optional)	1

**OR -**

**Basic unit 04X Food Waste Disposer for connection to hopper already supplied and welded into tabling: -**

Description (All the above items, plus)	Quantity
Baffle	1
Control Box	1
Tube of Sealant	1

## **GUARANTEE**

This machine is guaranteed by IMC for 1 Year from the date of its purchase from IMC, or from one of its stockists, dealers or distributors. The guarantee is limited to the replacement of faulty parts or products and excludes any consequential loss or expense incurred by purchasers. Defects, which arise from faulty installation, inadequate maintenance, incorrect use, and connection to the wrong electricity supply or fair wear and tear, are not covered by the guarantee.

The guarantee applies in this form to installations within the United Kingdom only.

**Please observe the following instructions carefully.**

## **INSTALLATION OPTIONS**

### **For the Installer:**

These Instructions contain important information designed to help the user obtain the maximum benefit from the investment in an IMC Food Waste Disposer. Please read them carefully before starting work, and consult with the supplier in the event of any queries.

Be sure to leave this Instruction Manual with the user after the installation of the machine is complete.

IMC 04X Food Waste Disposers may be installed in three ways: -

Method 1 - Free standing

Method 2 - Under tabling with Hopper Rim attachment

Method 3 - Under tabling with Welded attachment

All machines are operated from the built-in Control Box or, additionally, from a Remote Control Button Box which can be supplied as an optional extra.

## **SELECTION OF SITE**

Select the site of the 04X Food Waste Disposer with care so that it is convenient both for the major source of food waste and for access by machine operators.

The machines are designed to be installed with the control buttons on the left hand end of the unit and facing front. A space of at least 220mm must be left below the control box to give access for servicing purposes.

## **SILVER SAVER (OPTIONAL EXTRA)**

When waste disposers are installed next to dishwashing machines it is recommended that they be fitted with silver saver type safety baffles, which prevent the loss of cutlery into the units.



## ORDER OF CONNECTION FOR ALL INSTALLATION OPTIONS

Install in the following sequence:

- 1 Secure and seal the machine to the floor
- 2 Adjust height and level, and where appropriate, fit to tabling
- 3 Connect waste outlet to the drains
- 4 Connect water supply piping
- 5 If appropriate, connect Remote Control Button Box
- 6 Connect the electricity supply
- 7 Test and make any necessary adjustments
- 8 Fix self-adhesive Instruction Plaque in a prominent position adjacent to machine

## INSTALLATION METHOD 1 – FREE STANDING MACHINES

1. Remove the three-sided section of the upper cladding (A-Fig 2) by undoing the screws on either side (B). One part of the cladding remains attached at the waste outlet (C).
2. Remove the lower cladding which is in two parts (D and E) held together by two screws (F) and attached to the base casting or frame by screw (G).
3. Position the machine with the waste outlet (C) facing in the chosen direction. Allow space for the necessary trap.
4. If the hopper needs to be moved to a different position relative to the waste outlet, undo the four hopper retaining nuts (H). Lift the hopper and turn as required. Replace ensuring that the gasket (J) remains undisturbed. Replace nuts, or bolts and nuts (H) and tighten up uniformly all round. Do not over tighten but ensure that the gasket is nipped firmly and the hopper is rigidly fixed without distortion of its bottom flange.

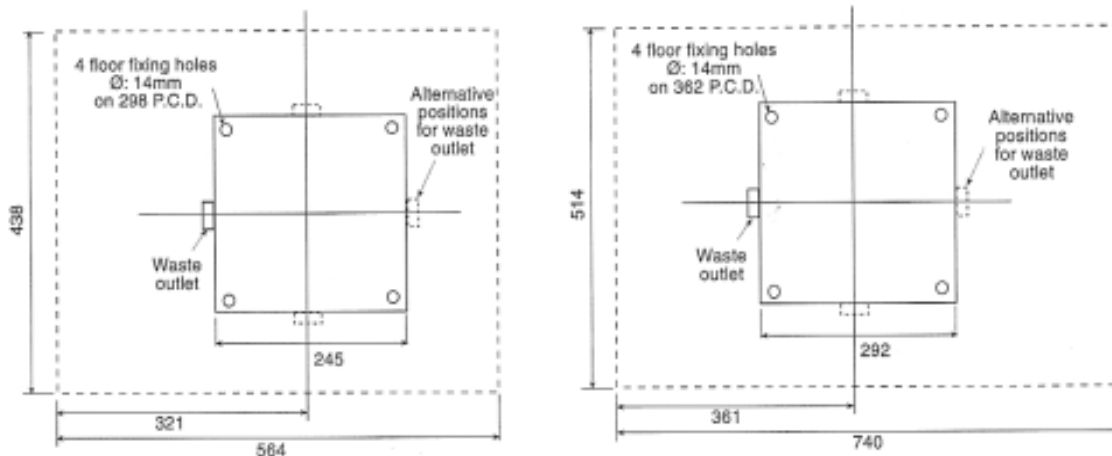
### WARNING - IF THIS JOINT IS NOT CORRECTLY MADE, WATER LEAKAGE MAY OCCUR

5. Clearly mark the floor through the floor fixing holes in the base casting or frame (K) or mark out the floor in accordance with the dimensions (Fig 4).

**MODEL 904X**

**Fig 4**

**Models 1204X and 1604X**

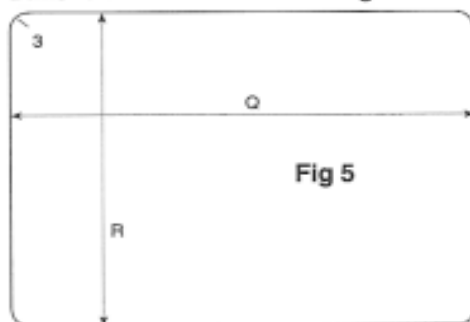


6. Drill the floor in the positions marked for the appropriate fixings. These may be rawlbolts, coach screws, wood screws or whatever is most suitable for the particular floor surface and sub-structure. The base casting or frame will accept bolts up to 12mm diameter. Ensure that the fixings are of adequate size and that the floor surface is sound, level and flat.
7. Place the rubber floor-sealing gasket (L) in position over the four floor holes.
8. Position the machine on the rubber floor sealing gasket taking care that it is not damaged or displaced.
9. Insert and tighten the floor fixing bolts or screws.
10. Using a spirit level, check that the top of the hopper is level in both planes and that it is at the required height. To adjust height on the 904X models, slacken the nuts (M) at the top of the three height adjustment legs (N) and adjust as necessary. When correct, tighten all nuts (M) and re-check levels. On the 1204X and 1604X models, slacken the top nuts (M) and adjust as necessary. When correct, tighten all nuts and re-check levels.
11. Replace the motor cladding sections in the reverse order as described for removal in points 1 and 2.
12. Continue with SUPPLY CONNECTION INSTRUCTIONS.

## INSTALLATION METHOD 2 – UNDER TABLING WITH HOPPER RIM ATTACHMENT

1. A special rim is welded to the cutout in the tabling. The machine hopper is raised outside it to make an overlapping joint, which is then sealed with suitable mastic.
2. The hopper rim will normally have been welded in place by the fabricator, and the tabling should be installed and fixed in position prior to installing the IMC food waste disposer.
3. The necessary cutout in the tabletop is shown in Fig 5 and the hopper rim is depicted in Fig 7.
4. Remove the motor cladding as for Method 1, 1.
5. Remove the lower cladding as for Method 1, 2.
6. If necessary, lower the height of the machine until the top of the hopper will just pass below the bottom of the hopper rim. Allow about 5 mm clearance.

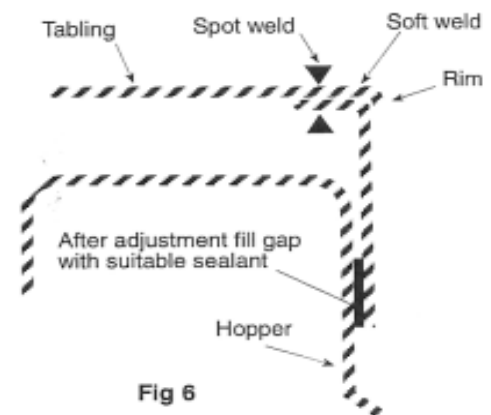
Dimensions of cut-out in tabling



Dimensions	904X	1204X/1604X
Q	506	684
R	380	456

All dimensions in mm

Hopper rim attachment



### Minimum height:

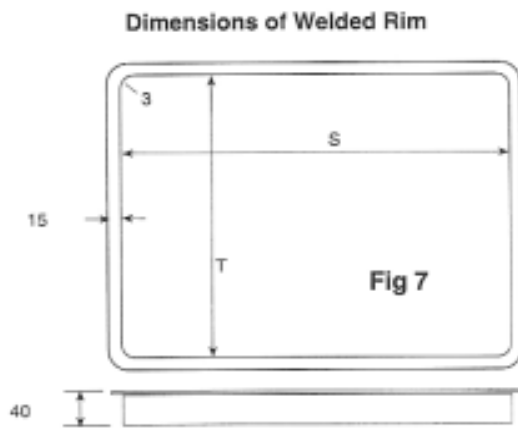
904X 1ph: 790mm

904X 3ph: 800mm

1204X and 1604X: 850mm

7. Height is adjusted as for Method 1, 10.
8. Position the machine accurately below the hopper rim.
9. Clearly mark the floor through the floor fixing holes in the base casting or frame (K).
10. Drill the floor as for Method 1, 6.
11. If necessary, change the direction of the waste outlet (C) to suit the installation as for Method 1, 4.
12. Place the rubber floor-sealing gasket (L) in position over the four floor holes.

13. Position the machine below the hopper rim on the rubber floor-sealing gasket, taking care not to damage or displace the gasket.
14. Insert and tighten the floor fixing bolts or screws.
15. Raise the machine height until the hopper fits snugly around the welded rim (as shown at Fig 6). If possible adjust the height so that there is a full overlap, but ensure that there is a least 10mm overlap.
16. Seal the resulting joint (as shown at Fig 6) thoroughly and carefully with suitable mastic to achieve a complete and hygienic joint.
17. Replace the motor cladding as for Method 1, 11
18. Continue with SUPPLY CONNECTION INSTRUCTIONS.



Dimensions	904X	1204X1604X
S	494	672
T	368	444

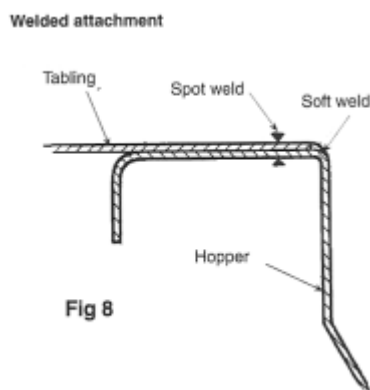
All dimensions in mm

### INSTALLATION METHOD 3 – UNDER TABLING WITH WELDED ATTACHMENT

The waste disposer hopper is welded directly to the cutout in the tabling. The fabricator of the tabling will normally undertake the necessary welding work, and a hopper will have been sent in advance to enable this to be done. Where this is not the case and a complete unit is to be welded into tabling, it is first necessary to separate the control box, the hopper and the motor unit. The procedure for this is the reverse of steps 10 to 16 below and in the section headed

#### 'ATTACHMENT OF CONTROL BOX'

The re-assembly and installation on site should be carried out only after the tabling is installed and fixed in position.



1 Remove the motor cladding as for Method 1, 1.

2 Remove the lower cladding as for Method 1, 2.

3 Adjust the height of the top of the motor unit in the same way as for Method 1, 10 until it is 3mm lower than the square flange at the bottom of the hopper.

**Minimum height of motor unit:** 904X 3ph: 370mm, 904X 1ph: 380mm, 1204X & 1604X: 470mm over studs. Ensure that the top face of the motor unit is level and parallel with the hopper flange.

- 4 Position the motor unit under the hopper flange with the waste outlet (C) facing the required direction.
- 5 For 904X, ensure accuracy of positioning by temporarily inserting the four bolts (I) from above the hopper flange. On the 1204X/1604X the holes in the hopper flange must be centred on the studs below.
- 6 Prepare the floor fixing holes as for Method 1, 5-6.
- 7 Place the rubber floor-sealing gasket (L) in position over the four floor holes.
- 8 Position the motor unit below the hopper flange on the rubber floor-sealing gasket (L), taking care not to damage or displace the gasket.
- 9 Insert the floor fixing bolts or screws but do not tighten.
- 10 Carefully insert gasket (J) between the top face of the motor unit and the hopper flange.  
On the 1204X and 1604X machines the gasket has to be fitted over the hopper attachment studs. Ensure that tearing or crinkling does not damage it. It may be necessary to adjust the height further to accomplish this, particularly for 1204X or 1604X machines.

- 11 Raise the machine into contact with the hopper by means of the height adjustment nuts (M) ensuring that the top face of the motor unit remains level.
- 12 On 904X machines, insert the four bolts (I) from below the motor unit flange, fit spring washers and nuts (H) and tighten uniformly. On 1204X/1604X machines the hopper-fixing studs will have engaged during the raising of the machine. Fit washers and nuts (I) and tighten uniformly.

**WARNING - IF THIS JOINT IS NOT CORRECTLY MADE, WATER LEAKAGE MAY OCCUR**

- 13 Again using the height adjustment nuts (M), raise the machine evenly to produce a slight upward pressure on the tabling. Clamp rubber floor sealing gasket to the floor.
- 14 Tighten the lower height adjustment nut in each pair, holding the top one firmly.
- 15 Tighten the floor fixing bolts or screws.
- 16 Attach the control box in accordance with the instructions under that heading

### **ATTACHMENT OF CONTROL BOX**

- 1 Apply a 6mm ring of the supplied mastic sealant around the top face of the interlock shouldered boss (Y) (Fig 3), avoiding contact with the thread.
- 2 Ensure that the sealing gasket is in place on the motor cable outlet bush and pass the cable through the hopper skirt. Raise the control box into position, locating the cable bush and the interlock boss so that the latter protrudes through the hopper surface and the ring of mastic is compressed. At the same time, the water pipe (P-Fig 2) on the hopper should be engaged in the solenoid valve (Q).
- 3 Keeping the control box pressed upwards fit 4 screws (R) with fibre and flat washers from the inside of the hopper. Tighten the screws and the water pipe connector and check other union nuts.
- 4 Connect the motor supply cable following the appropriate wiring diagram. 904X machines have in-line interconnections with the motor cable: 1204X and 1604X machines should be connected direct to the motor terminal box. Ensure that the Earth cable is connected. If fitted with a connector, join the two parts of the water sensor cable or, if there is a single cable, connect the T-moulding of the water sensor to the transparent tube on the rotor housing.
- 5 Fit the safety baffle by locating it on the baffle hinge rod (S) and screw home the spring loaded interlock knob (T)

**NOTE** – Check that the safety baffle knob lines up properly with the interlock screw and engages freely.

- 6 Replace the motor cladding as for method 1,11
- 7 Continue with the SUPPLY CONNECTION INSTRUCTIONS

## SUPPLY CONNECTION

### WASTE OUTLET CONNECTION

The machines are fitted with a standard 2" BSP female threaded outlet. The size of these outlets must not be reduced, and the drainpipe should run in 54mm outside diameter pipe work as far as its junction with the main pipe or outside manhole connection. The length of run between the machine and the main junction must be kept to a minimum and the pipe run must have a fall of at least 1 in 7. A running trap should be fitted, although "P" or "S" type traps can be used. Do not use bottle traps. Changes of direction should be made by bends rather than elbows and cleaning eyes should be fitted where possible, in accordance with standard plumbing practice. Copper pipe and compression fittings should be used, but plastic tubing is acceptable to most drainage authorities.

IMC 04X Food Waste Disposers must have an independent waste pipe, which does not also serve sinks, dishwashers and similar equipment. It is imperative that the waste pipe from the Disposer bypasses any grease trap, which may be present. If this outlet is positioned below the control box, it is important to use fittings, which give at least the minimum 220mm clearance, required for service access.

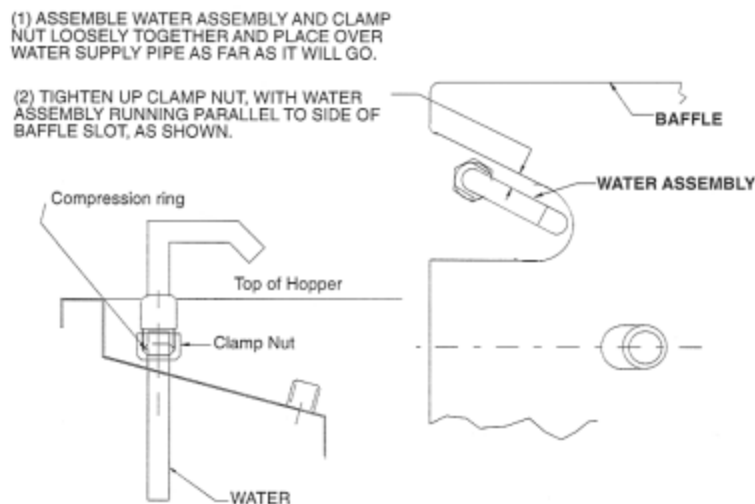
### WATER SUPPLY CONNECTION

A 15 mm cold water supply is required on 904X machines, 22mm on 1204X and 1604X machines, and the connection should be made to the service valve (V-Fig 2) supplied with the machine. The head of water should not be less than 0.18 bar (1.8m). The direction of the water supply connection on the IMC 04X Food Waste Disposers may be altered between the two positions shown at Fig 9. Loosen the compression-fitting nut (U-Fig 2) and gently turn the elbow to the required position. If the water pipe is run below the control box, it is important to give at least the minimum 220mm clearance required for service access.

When fitted with the standard hopper these machines have approval from the Water Research Centre for connection to a water supply via a Type A air gap or from a storage cistern distributing pipe (s) to which no fittings for other purposes are connected.

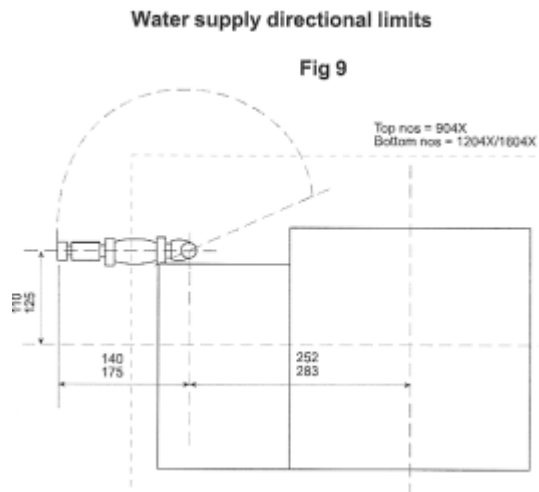
An additional hopper with water inlet is available: it provides a Class A air gap so that the machine can be connected directly to a mains water supply.

The rate of flow required for normal food waste is as follows:



Model 904X	14-18 litres per minute
Model 1204X	18-27 litres per minute
Model 1604X	27-36 litres per minute

Every machine is run and tested by IMC before dispatch. The water flow adjustments are made then but will require resetting when installed in the final location. The pipefittings supplied with the machine include a service valve (V) and this should be set fully open. Ensure that water supply demands made by other equipment served by the same supply pipe do not starve the Waste Disposer. To avoid this, run the piping in a size larger than recommended above and reduce at connection point to the machine.





### ELECTRICITY SUPPLY CONNECTION

All electrical work must be carried out by a qualified electrician and in accordance with current local regulations.

Examine the rating plate attached to the machine to ensure that the characteristics shown are correct for the supply available. The rating plate is located on the control box.

### Sample Rating Plate

 	UNIT 1, ABBEY ROAD WREXHAM INDUSTRIAL ESTATE WREXHAM LL13 9RF, UK TEL +44 (0) 1978 66 11 55 FAX +44 (0) 1978 72 99 90 EMAIL info@imco.co.uk	
	MODEL 904X SERIES 3 dB(A) 83	VOLTAGE 230 PHASE 1 HZ 50 AMPS 7.4 HP/KW 1.5/1.1

It is recommended that the machine be connected to the electricity mains supply through a suitable over-current protection and an isolator providing at least 3mm separation in all poles. The tabulation below illustrates typical fuse ratings for an ambient temperature of 25-35° centigrade. Should the environment temperature be greater than this, de-rate accordingly.

The mains lead fitted to the machine is the minimum required for individual connection to the mains supply. Site conditions may vary with additional length of cable run, encapsulation in trunking bunched with other cables etc. Should this apply, the electrician must alter the lead accordingly.

### WARNING – THIS MACHINE MUST BE EARTHED



### Machine Ratings and Cable Coding

Machine Ratings				
Model	Electricity Supply Volts-Phase-Hz	Output kW	Input kW	Fuse Rating Amps
904X	230-1-50	1.1	1.45	16
	220-1-60			
	254-1-60			
904X	400-3-50	1.1	1.45	6
	440-3-60			
1204X	400-3-50	2.2	2.7	16
	440-3-60			
	380-3-60			
1604X	400-3-60	4	4.82	16
	440-3-60			
	230-3-60			
	220-3-50			

Mains cable coding			
	3 phase 5 wire	3 phase 4 wire	1 phase
L1	Black	Blue	Brown
L2	Black	Black	
L3	Brown	Brown	
N	Blue		Blue
Earth	Green/Yellow	Green/Yellow	Green/Yellow

### FITTING OF REMOTE CONTROL BUTTON BOX

In installations where the standard positioning of the control box is inconvenient or inaccessible, a remote unit may be installed at some other location by connecting into the control box. The remote button box may also be used as a repeater providing control from two locations.

1. Fit the remote button box in the required position i.e. on the wall, in tabling apron, etc.
2. Connect cable into the control box terminal block as wiring diagram, removing the blanking plug (X-Fig 2) and replacing it with cable gland supplied.

If your IMC 04X Food Waste Disposer was initially ordered with a remote control button box, this unit will be supplied pre-wired to the control box.

### TESTING

Check finally that all supply connections are correctly made and soundly fixed, that nothing has been left in the grinding chamber, that the rotor is free to rotate (use the release wrench if necessary) and that the interlock knob is screwed down.

The machine is now ready to operate.

## OPERATION OF MACHINE

### INITIAL OPERATION

1. Switch on the electricity supply
2. Press the green button on the control box. The machine will run and the water will flow.
3. Inspect the waste piping for leaks. Estimate that the volume of water flowing is correct for the particular model – refer to WATER SUPPLY CONNECTION. If adjustments are needed, use a screwdriver to adjust the position of the slot on the control screw of the service valve (V – Fig 2). Maximum flow is with the slot in line with the pipe.
4. Try a small amount of food waste to check disposal and that no internal obstruction in the waste pipe will cause a blockage.
5. With the machine running unscrew the interlock knob (T – Fig 3). The machine will switch itself off almost immediately. By the time the knob is fully unscrewed and the safety baffle open, the rotor in the grinding chamber will have completely stopped.

When these checks, tests and adjustments are completed, the 04X IMC Food Waste Disposer is ready for use.

### NORMAL OPERATION

1. Ensure that the safety baffle is closed and the interlock knob is screwed down fully.
2. Press the green button to start. This also switches on the water flow
3. Feed waste into the hopper at a uniform rate, using the feeding pusher if necessary.
4. If the machine is overloaded, it will stop and a yellow lamp on the electronic control box will light. Switch on again to restart, as this will automatically cause the machine to reverse its direction of rotation.
5. If the machine stalls it will stop and the yellow lamp will light as for an overload, but this will be accompanied by a high pitched buzzer. Raise the safety baffle to stop the buzzer and release the jam as detailed in RELEASING A JAM.
6. If the main rotor seal is damaged and water passes through it, this will be detected by a sensor in the grinding chamber housing. The machine will cut out, the red lamp will light and the buzzer will sound. Raising the safety baffle can stop the buzzer, but the machine cannot be restarted until a Service Engineer has been called to replace the damaged seal and the sensor. This will prevent costly damage to the motor itself.
7. The machine is designed to shut off automatically after approximately 35 seconds when no waste is being processed so as to conserve water and power.
8. It can be restarted at any time and will continue to run until the sensors detect another extended period of idling or one of the fault conditions described above.

## RELEASING A JAM

As a result of a jam occurring the machine will stall and stop. Switch off the machine at the mains, unscrew the interlock knob and lift the safety baffle. Engage the prongs of the release key into the vanes of the rotor. Exert pressure in either direction to free the blockage and remove the offending item by hand. Check that the rotor is free to rotate through 360° and withdraw the release key. Close the safety baffle and screw down the knob fully.

## MAINTENANCE

**Daily:** Clean down thoroughly after use especially inside the hopper. Unscrew the safety interlock knob and open the baffle to gain access internally

Cleaning is assisted by the use of a low-pressure spray, an IMC Pre-Rinse Spray or a Reel-Kleen retractable hose reel.

Wipe over the exterior of the machine, including the back areas not normally visible. Proprietary cleaners may safely be used but avoid particularly aggressive cleaners and neat bleach solutions.

**6 monthly:** Clean water supply filter (W – Fig 2)

**12 monthly:** Check for motor bearing wear by:

- Sound of motor
- Side movement of rotor

**WARNING – BEFORE ATEMPTING SERVICE WORK ENSURE THAT ELECTRICITY SUPPLY AND WATER SUPPLY ARE TURNED OFF AT THE MAIN SUPPLY AND WATER STOPCOCK.**

## USAGE

1 The IMC 04X Food Waste Disposer is designed for the disposal of food waste. Fat can safely be disposed off provided it has solidified.



**2 DO NOT PUT STRING, CLOTH, PLASTIC, WIRE, GLASS, CORK OR METAL OBJECTS INTO THE MACHINE.**

3 Always start the machine before putting waste into it. Introducing mixed waste rather than accumulating and introducing waste of a similar nature into the machine will obtain more efficient disposal.

4 For environmental reasons, the grinding of inorganic materials should be avoided.

**ORDERING SPARE PARTS**

In the event that spare parts or accessories need to be ordered, please always quote the SERIES AND SERIAL NUMBER of the machine. This is to be found on the rating plate located near the supply cable.

For installations outside the UK please contact your supplier.

For information on IMC spares and service support (if applicable), please call IMC on +44 (0) 1978 661155. Alternatively, contact us via email or fax:

IMC Service Desk

Fax: +44 (0) 1978 667766

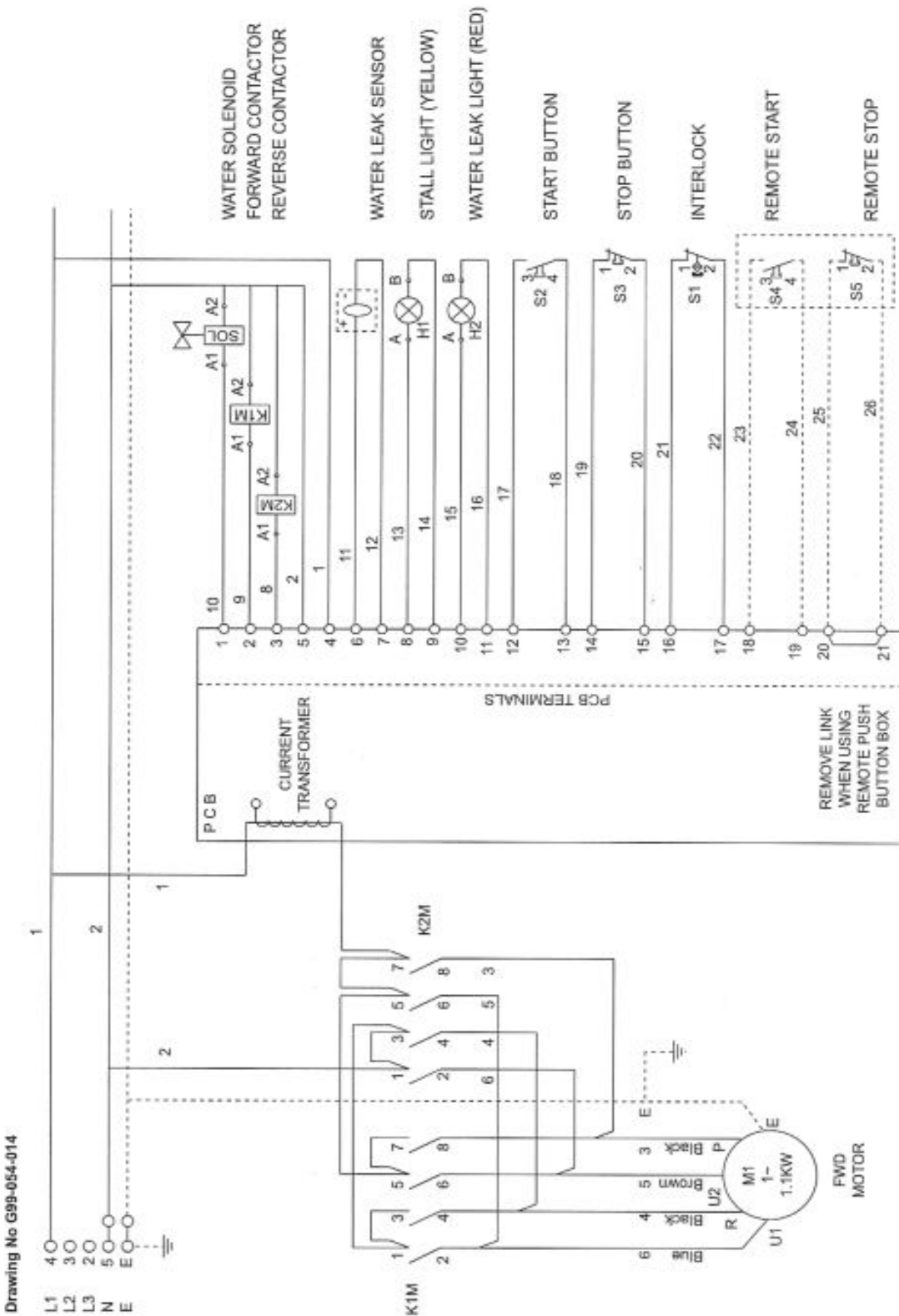
E-mail: [service@imco.co.uk](mailto:service@imco.co.uk)

IMC Spares Desk

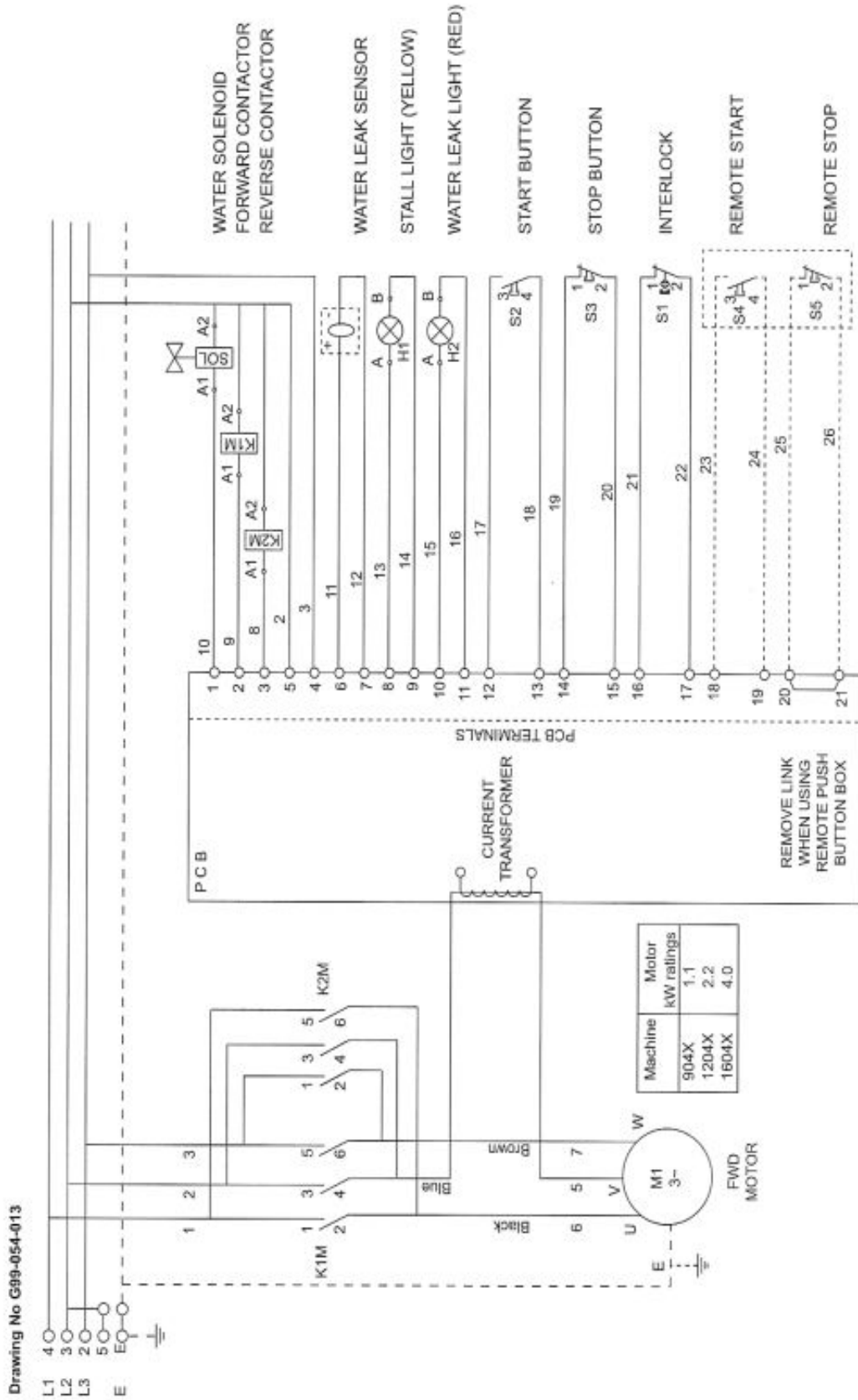
Fax: +44 (0) 1978 667759

E-mail: [spares@imco.co.uk](mailto:spares@imco.co.uk)

WIRING DIAGRAM – SINGLE PHASE

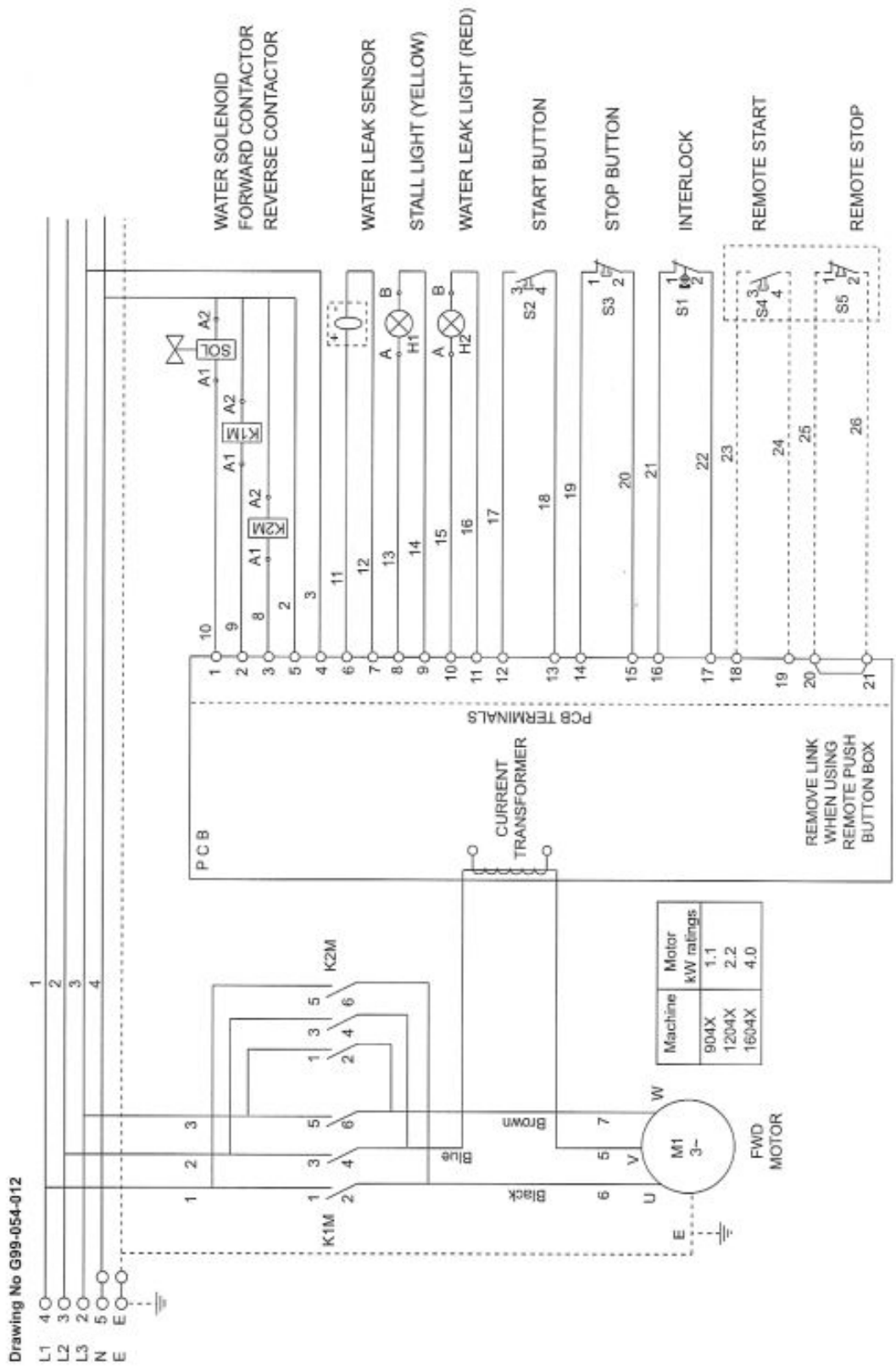


WIRING DIAGRAM –THREE PHASE 4 WIRE



Drawing No G99-054-013

WIRING DIAGRAM –THREE PHASE 5 WIRE



Drawing No G99-054-012

## SEAL ASSEMBLY

Fig 9: Seal Assembly 904X

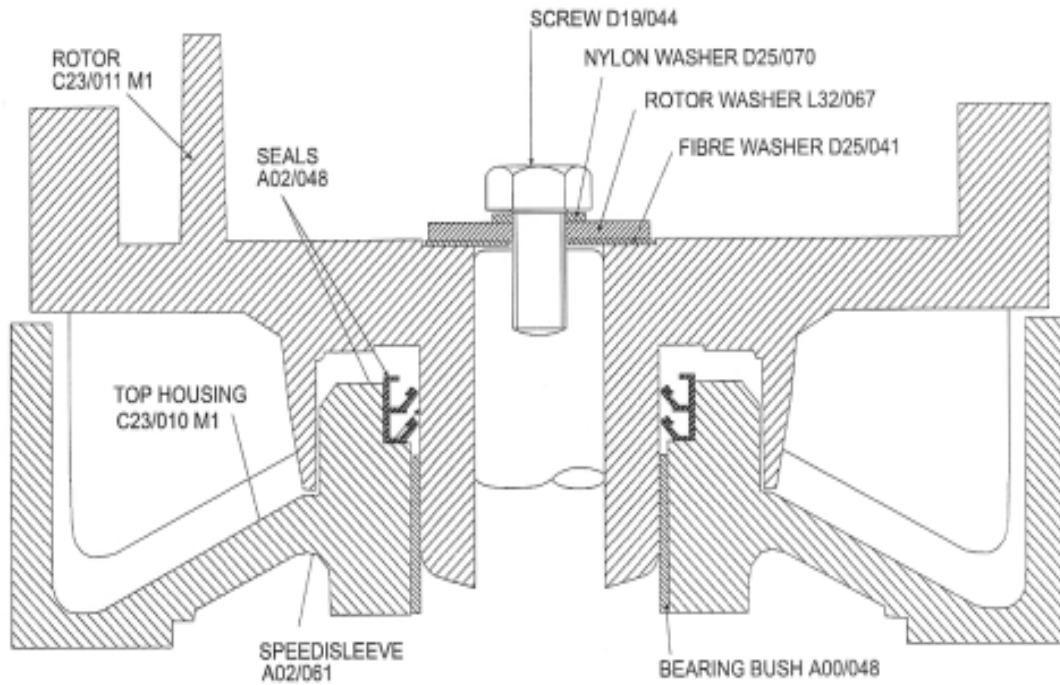
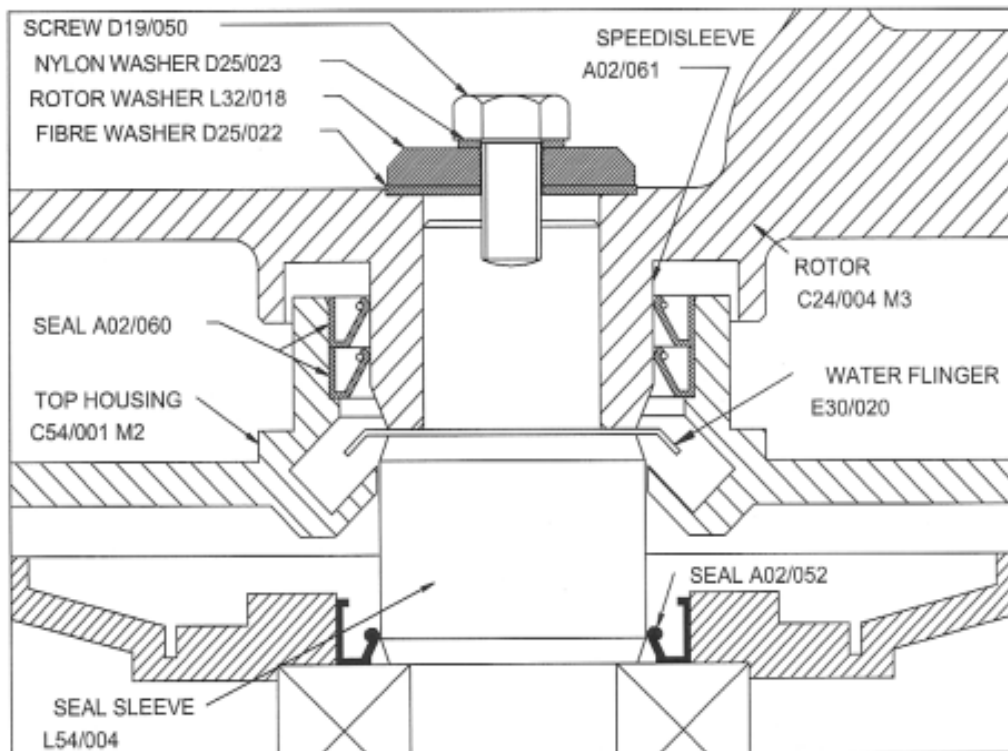
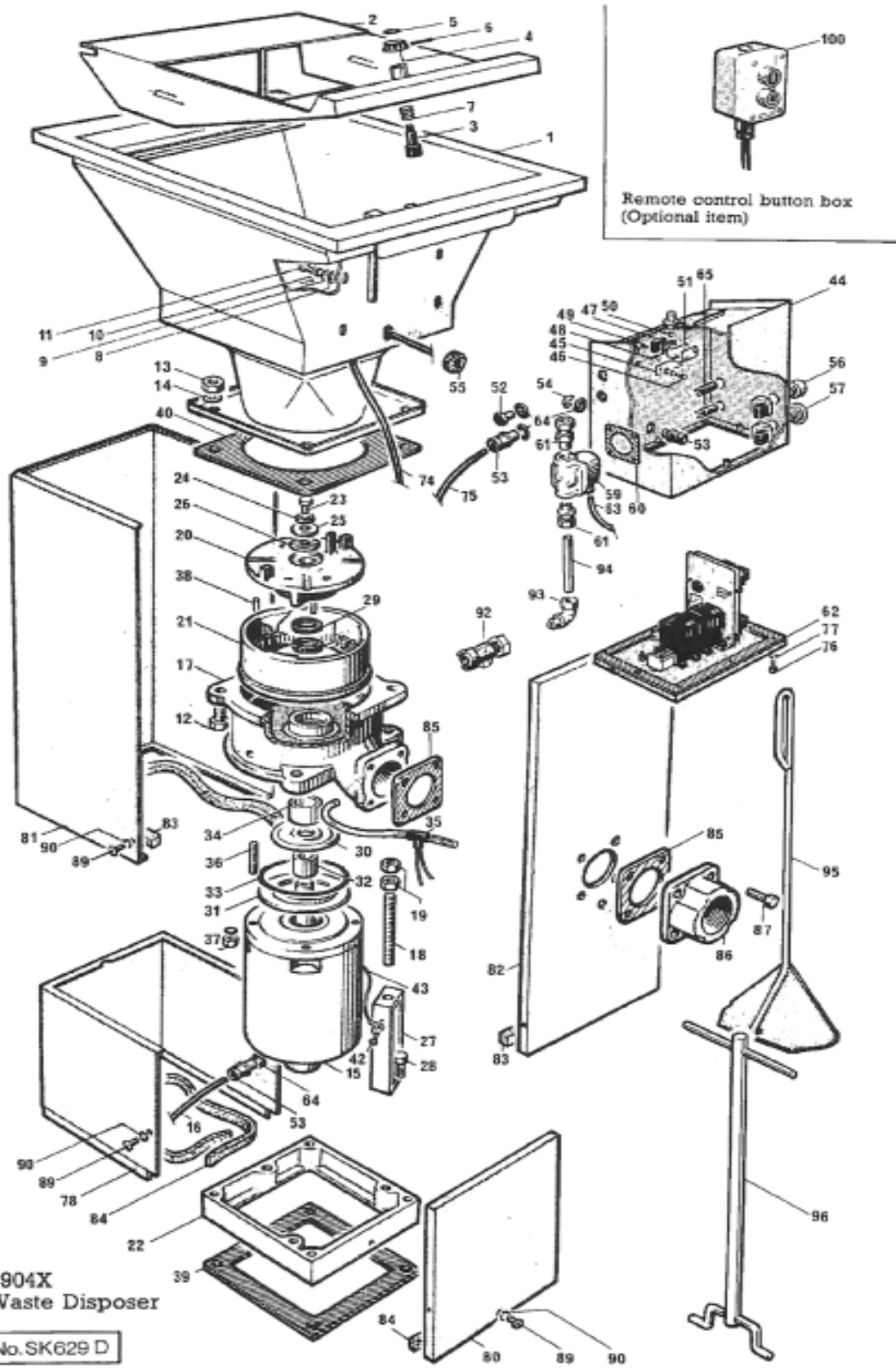


Fig 10: Seal Assembly 1204X / 1604X





MODEL 904X  
PARTS ILLUSTRATION



Model 904X  
Food Waste Disposer

Dwg. No. SK629 D

## PARTS LIST

## Model 904X Food Waste Disposer

To be read in conjunction with Drawing No SK629D

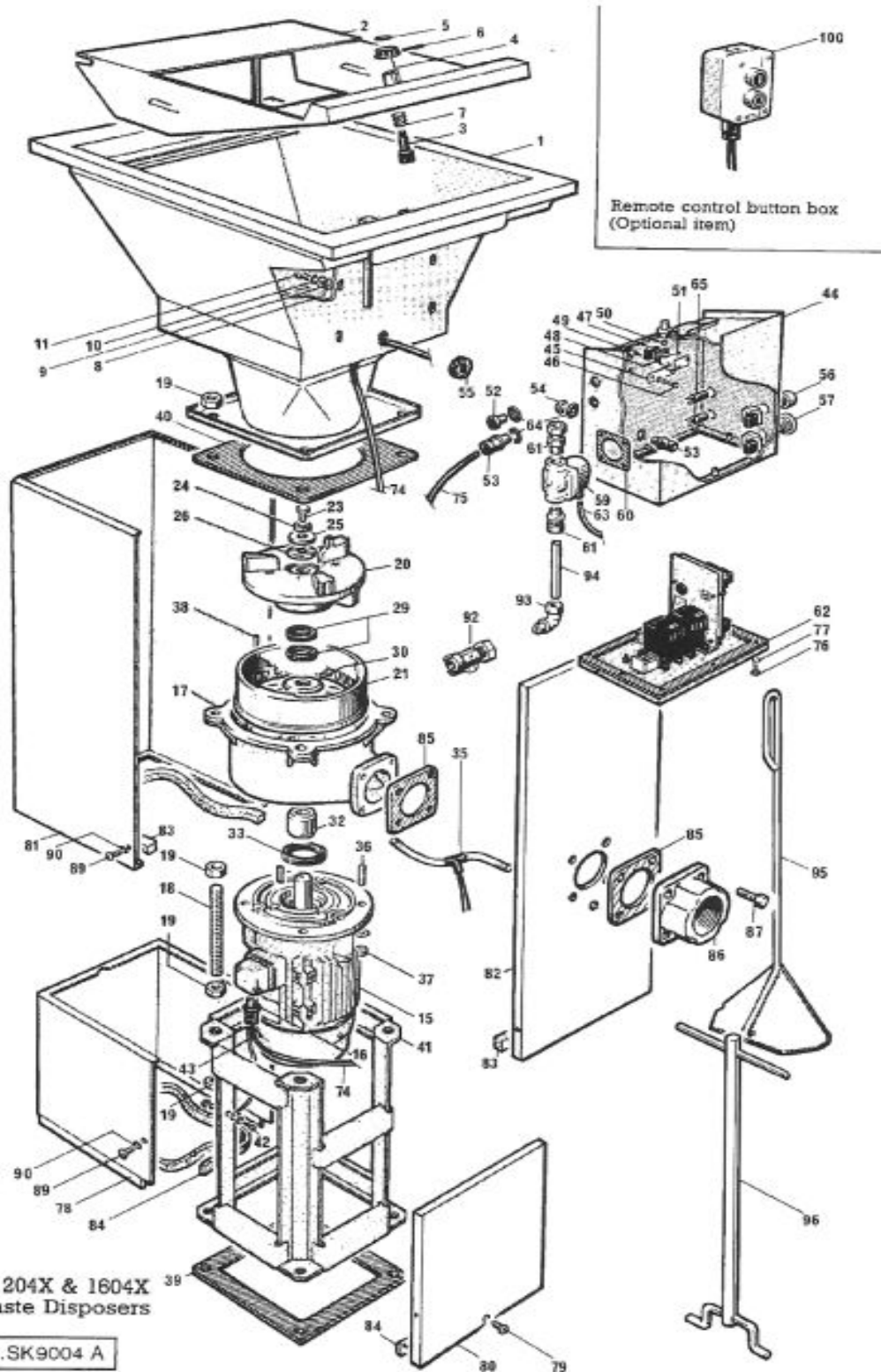
REF	PART NO	DESCRIPTION	REF	PART NO	DESCRIPTION
1	E54/009	Hopper	42	D19/111	Screw M4 x 16mm Hex SS
2	E54/010	Baffle		D25/014	Washer M4 Normal SS
3	M81A	Interlock body Assembly		D25/033	Washer M4 Shakeproof SS
4	M69	Interlock Knob	43	S54/040	Cable Assy Earth
5	M48	Plug	44	E54/043Z1	Control Box
6	D26/017	Spirol Pin 3 x 35mm	45	E54/012	Micro-switch Bracket 1PH
7	A12/011	Compression Spring		E54/016	Micro-switch Bracket 3PH
8	D25/018	Washer Fibre 6 x 25 x 1.5mm	46	D19/120	Screw M4 x 8mm Hex SS
9	D25/038	Washer 6 x 25 x 1.0mm		D25/014	Washer M4 Normal SS
10	D25/064	Washer 2BA Seloc		D25/033	Washer M4 Shakeproof SS
11	D19/031	Screw M5 x 10mm Hex SS	47	G45/044	Micro-switch - 1PH
12	D19/091	Screw M10 x 30mm Hex	48	G308	Paxolin Insulator
13	D20/039	Nut M10 Philidas ZPS	49	D21/034	Screw M3 x 16mm Pan SS
14	D25/010	Washer M10 Plain ZPS		D25/006	Washer M3 Shakeproof SS
15	G40/069	Motor 1.1kW 220/240-1-50	50	L54/003	Interlock Slug
	G40/070	Motor 1.1kW 380/420-3-50	51	E32/073	Stop Bracket- 1PH
	D27/015	Key	52	A10/425	Plug M20
16	S54/018	Cable Motor to Couplers 1PH	53	A10/280	Cable Gland M20
	S54/021	Cable Motor to Couplers 3PH	54	A10/224	Gland Locknut M20 (52&53)
17	C23/010M1	Top Housing	55	A11/178	Conduit Gasket
18	D23/024	Stud M16 x 180mm ZPS	56	G45/015	Pushbutton – Green
19	D20/030	Nut M16 Half ZPS		G45/016	Body Contact Assy N.O.
20	C23/011M1	Rotor	57	G45/013	Pushbutton – Red
	A02/047	Speedi Sleeve		G45/014	Body Contact Assy N.C.
21	C13/005M1	Cutter	59	S54/063	Solenoid Valve ½” BSP – 1PH
22	C23/005M1	Base Ring		S54/064	Solenoid Valve ½” BSP – 3PH
23	D19/044	Screw M8 x 16mm Hex SS	60	A11/166	Solenoid Gasket
24	D25/070	Washer Nylon M8	61	J04/073	Straight Coupler 15mm ½” BSP
25	L32/067	Washer 8 x 37 x 3mm SS	62	E54/048	Control Box Cover
26	D25/041	Washer Fibre 8 x 38 x 1.0mm		A11/215	Control Box Gasket
27	E30/113	Adjusting Leg		G55/006 M1	PCB Mod 904X 1 Phase
28	D19/109	Screw M16 x 25mm Hex		G55/006 M2	PCB Mod 904X 3 Phase 5 Wire
	D08/049	Washer Plain 5/8”		G55/009 M1	PCB Mod 904X 3 Phase 4 Wire
29	A02/048	Seal Single Lip 35x47x7mm		G30/307	Contacto 240/278V (1PH 5 Wire)
30	E30/102	Rotor Flinger		G30/303	Contacto 380/440V (3PH 4 Wire)
31	E30/103	Flinger Baffle		G90/074	5 Way Terminal Block
32	L32/064	Rotor Spacer		A10/405	Grommet
33	A11/162	Motor Shield Gasket		G85/004	PCB Support
34	A00/048	Bearing 35 x 39 x 20mm	63	S54/036	Cable Assy Solenoid to PCB
35	G60/043	Leak Sensor	64	G80/013	Sealing Washer
36	D23/023	Stud M8 x 30mm	65	S54/012	Lamp Assy Overload/Stall
	D25/012	Washer M8 Seloc	66	S54/013	Lamp assy Sensor (not shown)
37	D20/023	Nut M8 Full ZPS			
38	L54/001	Dowel Pin 6 x 24mm			
39	A11/148	Base Gasket			
40	A11/145	Hopper Gasket			

**Parts List Model 904X Food Waste Disposer (continued)**

To be read in conjunction with Drawing No SK629D

REF	PART NO	DESCRIPTION
74	S54/016	Cable Assy C/Box to Couplers 1PH
	S54/019	Cable Assy C/Box to Couplers 3PH
75	S54/011	Cable Assy Mains Input 1PH
	S54/037	Cable Assy Mains Input 3PH 4 Wire
	S54/024	Cable Assy Mains Input 3PH 5 Wire
76	D21/101	Screw M4 x 10mm Pan Pozi SS
77	D25/035	Washer M4 Spring SS
78	E30/007	Base Casing
80	E30/008	Base Cover
81	E30/126	Motor Case
82	E30/127	Motor Cover
83	K04/060	Self Ad Foam Tape 12 x 15mm
84	K08/043	Self Ad Foam Tape 3 x 15mm
85	A11/098	Waste Outlet Gasket
86	C23/004M1Z	Waste Outlet
87	D29/097	Screw M6 x 30mm Hex ZPS
88		
89	D21/101	Screw M4 x 10mm Pan Pozi SS
90	D25/035	Washer M4 Spring
92	J03/134	Ball Valve
93	J04/130	Elbow 15mm
94	J01/080	Copper Pipe
95	E09/111Z	Rammer
96	E30/035Z	Release Key
100	S54/026	Remote Control Button Box (Optional)

**MODELS 1204 & 1604  
PARTS ILLUSTRATION**



## PARTS LIST

## Model 1204X &amp; 1604X Food Waste Disposer

To be read in conjunction with Drawing No SK9004A

REF	PART NO	DESCRIPTION	REF	PART NO	DESCRIPTION
1	E54/018	Hopper	42	D21/101	Screw M4 x 10mm Pan Pozi SS
2	E54/017	Baffle		D25/014	Washer M4 Normal SS
3	M81A	Interlock body Assembly		D25/033	Washer M4 Shakeproof SS
4	M69	Interlock Knob		D20/011	Nut M4 Full SS
5	M48	Plug	43	S54/336	Cable Assy Earth
6	D26/017	Spirol Pin 3 x 35mm	44	E54/044Z1	Control Box
7	A12/011	Compression Spring	45	E54/016	Micro-switch Bracket
8	D25/018	Washer Fibre 6 x 25 x 1.5mm	46	D19/120	Screw M4 x 8mm Hex SS
9	D25/038	Washer 6 x 25 x 1.0mm		D25/014	Washer M4 Normal SS
10	D25/064	Washer 2BA Seloc		D25/033	Washer M4 Shakeproof SS
11	D19/031	Screw M5 x 10mm Hex SS	47	G45/044	Micro-switch
12				E32/073	Stop Bracket
13			48	G308	Paxolin Insulator
14			49	D21/034	Screw M3 x 16mm Pan SS
15	G40/122	Motor 2.2kW 415-3-50 1204X		D25/006	Washer M3 Shakeproof SS
	G40/123	Motor 4.0kW 415-3-50 1604X	50	L54/003	Interlock Slug
16	A10/266	Cable Gland M20	51		
	A10/274	Adaptor (1604X Only)	52	A10/425	Plug M20
17	C54/001 M2	Housing	53	A10/280	Cable Gland M20
18	D23/024	Stud M16 x 180mm ZPS	54	A10/224	Gland Locknut M20 (52&53)
19	D20/030	Nut M16 Half ZPS	55	A11/178	Conduit Gasket
20	C24/004 M2	Rotor	56	G45/015	Pushbutton – Green
21	C15/013 M1	Cutter Ring		G45/016	Body Contact Assy N.O.
22			57	G45/033	Pushbutton – Red
23	D19/050	Screw M10 x 20mm Hex SS		G45/014	Body Contact Assy N.C.
24	D25/023	Washer Nylon M10	59	S54/062	Sol. Valve ¼" BSP 415V-4 Wire
25	L32/018	Washer 10.5x42x6mm SS		S54/061	Sol. Valve ¼" BSP 415V-5 Wire
26	D25/022	Washer Fibre 10.5x43x1.0mm	60	A11/167	Solenoid Gasket
27			61	J04/097	Straight Coupler 22mm ¾" BSP
28			62	E54/047	Control Box Cover
29	A02/060	Seal		A11/216	Control Box Gasket
	A02/061	Speedi Sleeve		G55/006 M3	PCB Mod 1204X 5 Wire 415-3-50
30	E30/102	Rotor Flinger		G55/009 M2	PCB Mod 1240X 4 Wire 415-3-50
31				G55/006 M4	PCB Mod 1604X 5 Wire 415-3-50
32	L54/004Z	Seal Sleeve		G55/009 M3	PCB Mod 1604X 4 Wire 415-3-50
33	A02/052	Seal-Single Lip 45x60x80mm		G30/307	Contacto 230V 5 Wire – 1204X
34				G30/377	Contacto 230V 5 Wire – 1604X
35	G60/043	Leak Sensor		G30/303	Contacto 400V 4 Wire – 1204X
36	D23/035	Stud M12 x 40mm ZPS		G30/378	Contacto 400V 5 Wire – 1604X
	D25/011	Washer M12 Normal ZPS		G90/074	5 Way Terminal Block
37	D20/033	Nut M12 Full Nyloc ZPS		A10/405	Grommet
38	D26/007	Tension Pin		G85/004	PCB Support
	D22/046	Screw M10x16 Soc Set Blk	63	S54/014	Cable Assy Solenoid to PCB
39	A11/149	Base Gasket	64	G80/013	Sealing Washer
40	A11/150	Hopper Gasket	65	S54/012	Lamp Assy Overload/Stall
41	E54/013	Motor Stand	66	S54/013	Lamp assy Sensor (not shown)

**Parts List Model 1204X & 1604X Food Waste Disposer (continued)**

To be read in conjunction with Drawing No SK9004A

REF	PART NO	DESCRIPTION
74	S54/041	Cable Assy C/Box to Motor 1204X
	S54/025	Cable Assy C/Box to Motor 1604X
75	S54/037	Cable Assy Mains Input 3PH 4 Wire
	S54/024	Cable Assy Mains Input 3PH 5 Wire
76	D21/101	Screw M4 x 10mm Pan Pozi SS
77	D25/035	Washer M4 Spring SS
78	E30/030	Base Casing
79	D22/022	Screw No.8x 1/2" Self Tap ZPS
80	E30/031	Base Cover
81	E30/134	Motor Case
82	E54/025	Motor Casing Cover
83	K04/060	Self Ad Foam Tape 12 x 15mm
84	K08/043	Self Ad Foam Tape 3 x 15mm
85	A11/098	Waste Outlet Gasket
86	C23/004M1Z	Waste Outlet
87	D19/097	Screw M6 x 30mm Hex ZPS
88	D25/005	Washer M5 Shakeproof SS
89	D21/101	Screw M4 x 10mm Pan Pozi SS
90	D25/035	Washer M4 Spring
92	J03/135	Ball Valve
93	J04/277	Elbow 22mm
94	J01/081	Copper Pipe
95	E09/111Z	Rammer
96	E30/016BZ	Release Key
100	S54/026	Remote Control Button Box (Optional)



For all service, warranty or spare parts requirements, please call

**03 9368 2300**