

398-CN NARROW MUSTARD DISPENSER



398-CN

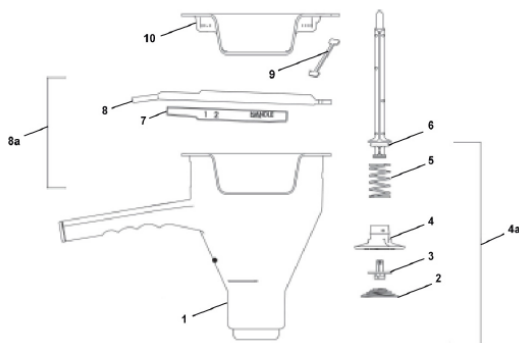
STANDARD FEATURES:

- New slim/narrow design uses less prep table space
- Capacity: 2 lbs (.91 kg) above refill line
- Portion size: 1/8 tsp (.70 ml), improved portion spread
- Uses same levers and pump parts as the round dispenser
- Improved parts ensure positive pump action, provide accurate portion every time and reduce clogging
- Lightweight plastic shell
- Easy calibration - no tools required
- Includes cover with tether attachment to reduce loss and prevents mustard from solidifying
- All internal parts are colored white, providing easy identification
- 2 year warranty covers manufacturers defects

SPECIFICATIONS:

DIMENSIONS:

Model Number	Container in (cm)	Height in (cm)	Shipping Weight lb (kg)	Shipping cu.ft. (cu.m)
398-CN	6.25 x 3.50 (16.50 x 8.90)	9.13 (23.20)	3.00 (1.40)	.31 (.0088)



Item	Part No.	Description
1	398-112	Narrow Container w/ Handle
2	404-7	Check Valve Spring
3	398-034	Check Valve
4	398-091	Cylinder
4a	N/A	Cylinder, Valve and Spring Assembly
5	398-20	Piston Spring
6	398-032	Piston Push Rod
7	398-031	Adjusting Cam
8	398-033	Lever
8a	N/A	Lever and Cam Assembly
9	404-13S	Tether Kit (pkg of 6)
10	406-152S	Narrow Lid w/ Tether (pkg of 3)

398-CN NARROW MUSTARD DISPENSER

SPECIFICATIONS

Part No.	Description	Qty.
398-CN Entire Dispenser		
398-112	Container with Handle	1
404-7	Check Valve Spring	1
398-034	Check Valve	1
398-091	Cylinder	1
398-20	Piston Spring	1
398-032	Piston Push Rod	1
398-031	Adjusting Cam	1
398-033	Lever	1
406-152	Lid	1
404-13	Tether	1
398-032S Upgrade Kit		
404-7	Check Valve Spring	1
398-034	Check Valve	1
398-091	Cylinder	1
398-032	Piston Push Rod	1
398-031	Adjusting Cam	1
398-033	Lever	1
398-20	Piston Return Spring	1
398-033S Adjusting Cam Kit		
398-031	Adjusting Cam	1
398-033	Lever	1
398-091S Cylinder, Valve and Spring Kit		
404-7	Check Valve Spring	1

Part No.	Description	Qty.
398-034	Check Valve	1
398-091	Cylinder	1
398-20	Piston Spring	1
398-034NS Spare Parts Kit		
404-7	Check Valve Spring	3
398-034	Check Valve	3
398-091	Cylinder	2
398-20	Piston Spring	2
398-032	Piston Push Rod	2
398-031	Adjusting Cam	1
398-033	Lever	1
406-152	Lid, Narrow	2
404-13	Tether	2
398-20S Piston Return Spring Kit		
398-20	Piston Return Spring	6
404-7S Check Valve Spring Kit		
404-7	Check Valve Spring	6
406-152S Narrow Lid and Tether Kit		
406-152	Narrow Lid	3
404-13	Tether	3
404-13S Tether Kit		
404-13	Tether	6
398-112	Narrow Container	1

DISPENSER HOLDERS:

- Prevents clogging because dispensers are encapsulated in the holder and protected from air flow
- Especially important when dispensers are not used for long periods of time, such as:
 - If crew fills mustard too early in the morning before breakfast
 - When secondary side is closed between lunch and dinner
- Easy to clean
- Non-slip rubber feet keep dispenser from slipping on prep table

