

406-AN NARROW KETCHUP DISPENSER



406-AN

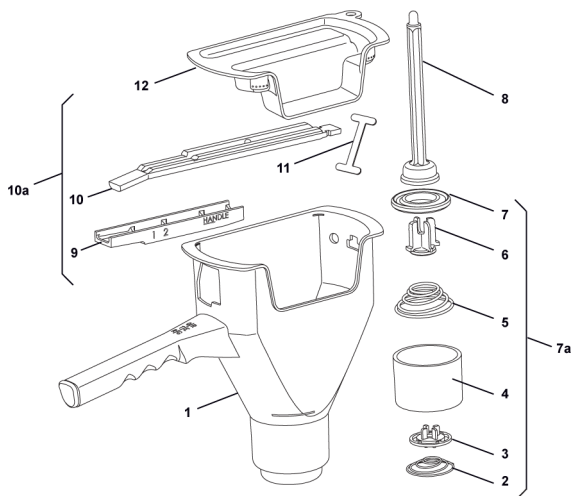
STANDARD FEATURES:

- New slim/narrow design uses less prep table space
- Capacity: 2 lbs (.91 kg) above refill line
- Dispenses 1/3 oz. (10 ml) for 10:1 or 1/2 oz. (15 ml) for 4:1 patties
- Uses same levers and pump parts as the round dispenser
- Positive pump action provides accurate portion every time
- Lightweight plastic shell
- Includes cover with tether attachment to reduce loss
- Easy calibration - no tools required
- All internal parts are colored red, providing easy identification when mixed with mustard dispenser parts
- 1 year warranty covers manufacturers defects

SPECIFICATIONS:

DIMENSIONS:

Model Number	Container in (cm)	Height in (cm)	Shipping Weight lb (kg)	Shipping cu.ft. (cu.m)
406-AN	6.25 x 3.50 (16.50 x 8.90)	9.13 (23.20)	3.00 (1.40)	.31 (.0088)



Item	Part No.	Description
1	406-151	Narrow Container w/ Handle
2	404-7S	Check Valve Spring
3	404-8	Check Valve
4	404-9	Cylinder
5	404-10S	Piston Return Spring Kit
6	404-11	Piston Slide
7	404-12	Piston
7a	N/A	Piston Valve & Spring Assy. (Items 2 -7)
8	404-6S	Push Rod
9	404-4	Adjusting Cam
10	404-3	Lever
10a	404-16	Lever & Cam Assy. (Items 9 & 10)
11	404-13S	Tether (pkg of 6)
12	406-152S	Narrow Lid w/ Tether (pkg of 3)

406-AN NARROW KETCHUP DISPENSER

SPECIFICATIONS

Part No.	Description	Qty.
406-AN Entire Dispenser		
406-151	Container with Handle	1
404-7	Check Valve Spring	1
404-8	Check Valve	1
404-9	Cylinder	1
404-10	Piston Spring	1
404-11	Piston Slide	1
404-12	Piston	1
404-6	Piston Push Rod	1
404-4	Adjusting Cam	1
404-3	Lever	1
406-152	Lid	1
404-13	Tether	1
406-156S Upgrade Kit		
404-7	Check Valve Spring	3
404-8	Check Valve	3
404-9	Cylinder	2
404-10	Piston Spring	2
404-11	Piston Slide	1
404-12	Piston	1
404-6	Push Rod	2
404-3	Lever	1
404-4	Cam	1
406-152	Narrow Lid	2
404-13	Tether	2
404-16 Lever and Cam Kit		
404-4	Adjusting Cam	1
404-3	Lever	1
404-15 Piston Valve and Spring Kit		
404-7	Check Valve Spring	1

Part No.	Description	Qty.
404-8	Check Valve	1
404-9	Cylinder	1
404-10	Piston Spring	1
404-11	Piston Slide	1
404-12	Piston	1
404-14 Spare Parts Kit		
404-7	Check Valve Spring	3
404-8	Check Valve	3
404-9	Cylinder	2
404-10	Piston Spring	2
404-11	Piston Slide	2
404-12	Piston	3
404-6	Piston Push Rod	2
404-4	Adjusting Cam	1
404-3	Lever	1
404-2	Lid, Round	2
406-152	Lid, Narrow	2
404-13	Tether	2
406-10S Piston Return Spring Kit		
406-10	Piston Return Spring	6
404-7S Check Valve Spring Kit		
404-7	Check Valve Spring	6
406-152S Narrow Lid and Tether Kit		
406-152	Narrow Lid	3
404-13	Tether	3
404-13S Tether Kit		
404-13	Tether	6
404-6S Push Rod Kit		
404-6	Piston Push Rod	1
406-151	Container	1

DISPENSER HOLDERS:

- Prevents clogging because dispensers are encapsulated in the holder and protected from air flow
- Especially important when dispensers are not used for long periods of time, such as:
 - If crew fills mustard too early in the morning before breakfast
 - When secondary side is closed between lunch and dinner
- Easy to clean
- Non-slip rubber feet keep dispenser from slipping on prep table

CERTIFICATIONS:



2010/01C