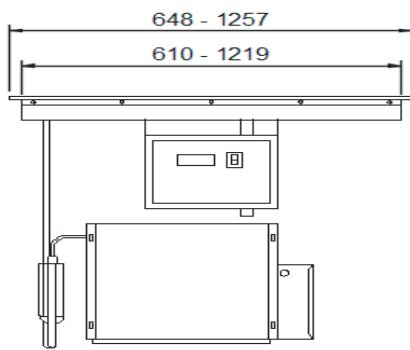
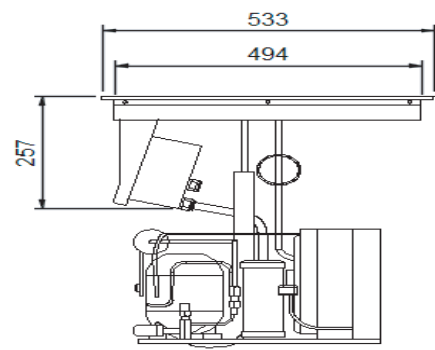




TOP VIEW



FRONT VIEW  
NTS



SIDE VIEW

## STANDARD FEATURES

- CSBF units have unattached Condenser, attached Control Box
- Condensing unit features easy serviceability with sight glass, service valves, dryer/filter and receiver
- With CSBF models, condensing unit may be mounted up to 1219 mm away from the center of shelf
- CSBF models offer a long, flexible, refrigerant line which allows condensing unit to be pulled out for service
- Patented thermal break reduces condensation and temperature transfer on adjacent surfaces
- All units have an Electronic Temperature Control Box with a 1219 mm lead wire
- Control Box can be mounted 1219 mm from center of the shelf
- All models are top mounted with a hardcoat aluminum surface

**Hatco's Cold Shelves Built-In Flush Top**, in our signature aluminum hardcoat, are designed to keep your pre-chilled beverages, hors d'oeuvres, side dishes, buffet items and more, perfectly chilled.

## SPECIFICATIONS

Model	Dimension (WxDxH)	Ship Weight	Voltage	Watts	Amps	Plug
CSBFP-24-I	648 x 533 x 256mm	53kg	120	300	3.8	NEMA 5-15P
CSBFP-36-I	953 x 533 x 256mm	62kg	120	450	5.9	NEMA 5-15P
CSBFP-48-I	1257 x 533 x 256mm	71kg	120	450	5.9	NEMA 5-15P