

SAN JAMAR EZI-FIT[®] CUP DISPENSERS: C2410CBKFSM & C2210CBKFSM



The EZI-FIT solution from San Jamar for all your cup dispensing needs.

Whatever the size, whatever the type – foam, paper or plastic; whatever the mounting need – horizontal or vertical, the EZI-Fit[®] cup dispensing solution is the answer.

Simple to instal and operate, EZI-FIT Dispensers come with four different size gaskets to cover the cup size ranges from 73-121mm (lip diameter) cups.

Easily change to other cup sizes without tools.

Ideal for multiple installations using different size cups in the same dispenser for uniform appearance.

The EZI-to-change patented gaskets hold and seal the cups avoiding contamination. The quick release collar provides easy cleaning, and the no-jam cup holder and tangle-free spring protect cups. The C2210CBKFSM model covers cup sizes from 73-98mm, whilst the C2410CBKFSM model offers the greater range of 73-121mm.

Also choose EZI-FIT Lid Dispensers (L2200CFMSM or L2400CFMSM pictured) to complement the installation and provide maximum convenience for your clients and minimise waste.

EZI-FIT Cup Dispensers are available in regular tube lengths of 575 and 578mm.

Replacement gaskets are readily available.

For applications where in-counter mounting is not possible, choose the surface-mount model **C2410SM** with sturdy 6 gauge plated wire frame for horizontal or vertical mount.



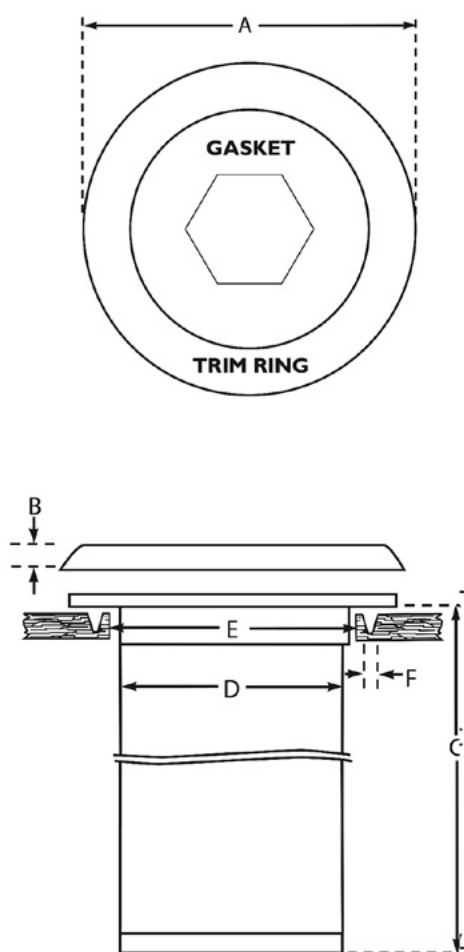
C2410SM SURFACE MOUNT DISPENSER



Now, let's put a lid on it



EZI-FIT CUP & LID DISPENSERS SHOWN WITH OPTIONAL DISPENSER CABINET AVAILABLE TO ORDER

SAN JAMAR EZI-FIT CUP DISPENSER FITTING GUIDE



		
	C2410CBKFSM	C2210CBKFSM
Trim Ring Diameter A	(173 mm)	(154 mm)
Trim Ring Height B	(18 mm)	(18 mm)
Tube Length C	(575 mm)	(578 mm)
Tube Diameter D	(143 mm)	(121 mm)
Counter Hole Cut-Out Diameter E	(146 mm)	(124 mm)
Screw Hole Diameter F	(5 mm)	(4 mm)
Cup Rim Diameter Range	(73-121mm)	(73-98mm)
Cup Size Range	(236-1360ml)	(178-710ml)