



Drop In **COLD** only shelf

People who serve, products that solve.™

Hatco's Cold Shelf Built-In Flush Top is a foodsafe shelf that is designed to keep pre-chilled food products in the perfect chill zone for serving.

Features a patent-pending thermal break that reduces condensation and temperature transfer. Includes a power On/Off switch and digital temperature controller.

Traditional hardcoat aluminum surface and is designed to be top mounted. Serve cold buffet/salads/sweets on this drop-in shelf with remote mountable control panel.

- ▶ Control Box can be remotely mounted up to 1229mm (condensor unit up to 1219 mm) from centre of the shelf
- ▶ Durable Hardcoat Traditional Aluminium Finish Drop-In
- ▶ Patent-pending Hatco thermal break reduces condensation and temperature transfer.
- ▶ Includes a remote-mountable control enclosure, with power switch and digital temperature controller.



Traditional hard coat aluminium drop-in Flush Mount Cold only with mounted OR remote control



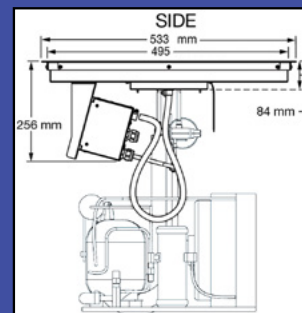
Remote control

SPECIFICATIONS

| CODE | DESCRIPTION | DIMENSIONS: (heated-cooled/overall) | Watts / Amps | Compressor | Weight |
|-----------|-------------------------------|-------------------------------------|--------------|------------|--------|
| CSBF-24-I | Drop-In Cold Shelf - Hardcoat | 610W x 495mmD / 648W x 533mmD | 816 / 3.5 | 1/3HP | 53KG |
| CSBF-36-I | Drop-In Cold Shelf - Hardcoat | 914W x 495mmD / 953W x 533mmD | 816 / 3.5 | 1/3HP | 62Kg |
| CSBF-48-I | Drop-In Cold Shelf - Hardcoat | 1219W x 495mmD / 1257W x 533mmD | 816 / 3.5 | 1/3HP | 71Kg |

COUNTERTOP CUTOUT SIZES

| MODEL | WIDTH | | DEPTH | |
|--------------------|---------|---------|---------|---------|
| | Minimum | Maximum | Minimum | Maximum |
| CSBF-24-I | 629 mm | 635 mm | 508mm | 521 mm |
| CSBF-36-I | 934 mm | 940 mm | 508 mm | 521 mm |
| CSBF-48-I | 1239 mm | 1245 mm | 508 mm | 521 mm |
| CONTROL BOX | 189mm | | 143mm | |



All Hatco Cold Shelf models utilise R-404A Refrigerant and are supplied corded with 10A plug.