



HOT or COLD in the one shelf

People who serve, products that solve.™

Great flexibility to suit your venue with surfaces to match any decor, available in drop-in or bottom mount with traditional or Swanstone® stone finish

From the world-wide leaders in food holding solutions comes this versatile shelf to satisfy your differing serving needs at the touch of a button. Serve hot buffet or cool salads/sweets on the same shelf space easily and quickly.

- ▶ Easily change between Hot or Cold in approximately 30 minutes to suit your needs
- ▶ Control Box can be remotely mounted up to 1.229m from centre of the shelf
- ▶ Durable Hardcoat Traditional Aluminium Finish Drop-In or Flush Mount model or...
- ▶ Swanstone® food safe stone colours available to match your decor and other Hatco heated shelves
- ▶ Famous Hatco performance and reliability
- ▶ Patent-pending thermal break reduces condensation and temperature transfer.
- ▶ Includes a remote-mountable control enclosure, with a three position power switch and two digital temperature controllers.



Traditional hard coat aluminium drop-in Flush with remote control



Swanstone Night Sky Flush bottom mount with remote control



Swanstone Granite Grey Flush bottom mount with remote control



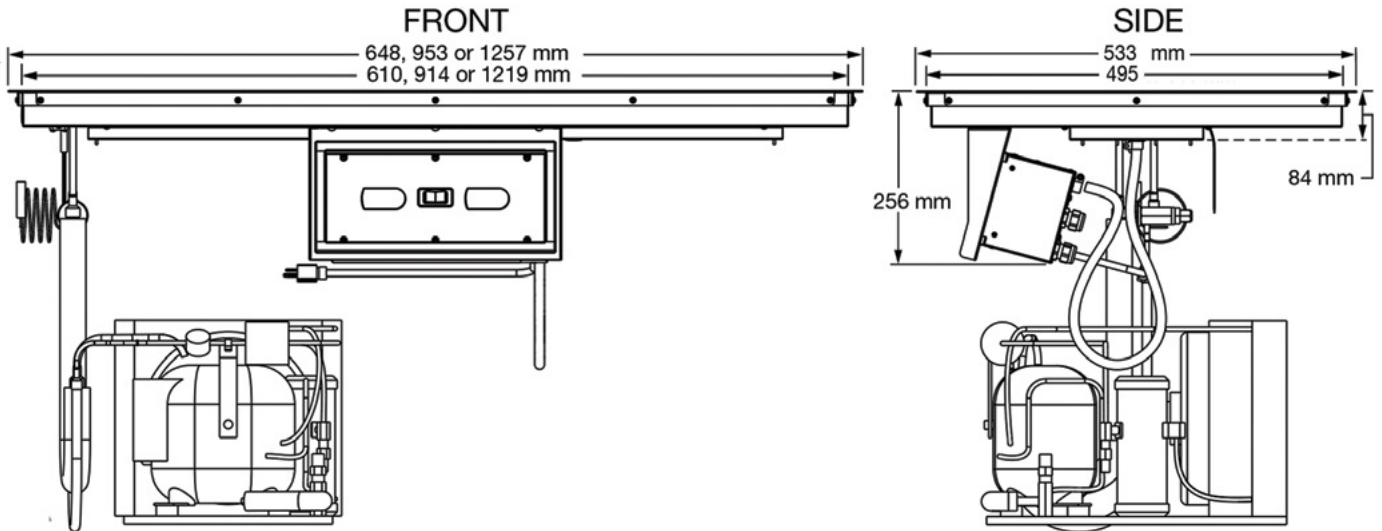
Swanstone Bermuda Sand Flush bottom mount with remote control



Hot/Cold Built-In Shelves

Models: HCSBF-24-I, -36-I, -48-I

HCSBF MODELS (Hot Cold Shelf, Aluminium Hard Coat - Built-in Flush)



SPECIFICATIONS

CODE	DESCRIPTION	DIMENSIONS: (heated-cooled/overall)	Watts / Amps	Compressor	Weight
HCSBF-24-I	Drop-In Hot / Cold Shelf - Hardcoat	610W x 495mmD / 648W x 533mmD	804 / 3.5	1/4HP	58Kg
HCSBF-36-I	Drop-In Hot / Cold Shelf - Hardcoat	914W x 495mmD / 953W x 533mmD	1044 / 4.5	1/3HP	68Kg
HCSBF-48-I	Drop-In Hot /Cold Shelf - Hardcoat	1219W x 495mmD / 1257W x 533mmD	1044 / 4.5	1/3HP	84Kg
HCSSBF-24-I	Drop-In Hot /Cold Shelf - Swanstone*	610W x 495mmD	804 / 3.5	1/4HP	67Kg
HCSSBF-36-I	Drop-In Hot /Cold Shelf - Swanstone*	914W x 495mmD	1044 / 4.5	1/3HP	76Kg
HCSSBF-48-I	Drop-In Hot /Cold Shelf - Swanstone*	1219W x 495mmD	1044 / 4.5	1/3HP	92Kg

*Swanstone Colour must be specified at time of order. Colours available: **Granite Gray**, **Bermuda Sand** and **Night Sky**. (See colour samples previous page)

COUNTERTOP CUTOUT SIZE

MODEL	WIDTH		DEPTH	
	Minimum	Maximum	Minimum	Maximum
HCSBF-24-I	625 mm	635 mm	511mm	521 mm
HCSBF-36-I	930 mm	940 mm	511 mm	521 mm
HCSBF-48-I	1234 mm	1245 mm	511 mm	521 mm
		WIDTH	DEPTH	
		with 10 mm radii	with 10 mm radii	
HCSSBF-24-I	619 mm	505 mm		
HCSSBF-36-I	924 mm	505 mm		
HCSSBF-48-I	1229 mm	505 mm		
		WIDTH	DEPTH	
CONTROL BOX	(should not exceed)	(should not exceed)		
	332 mm	146 mm		



Remote control with three position switch and two electronic temperature controls