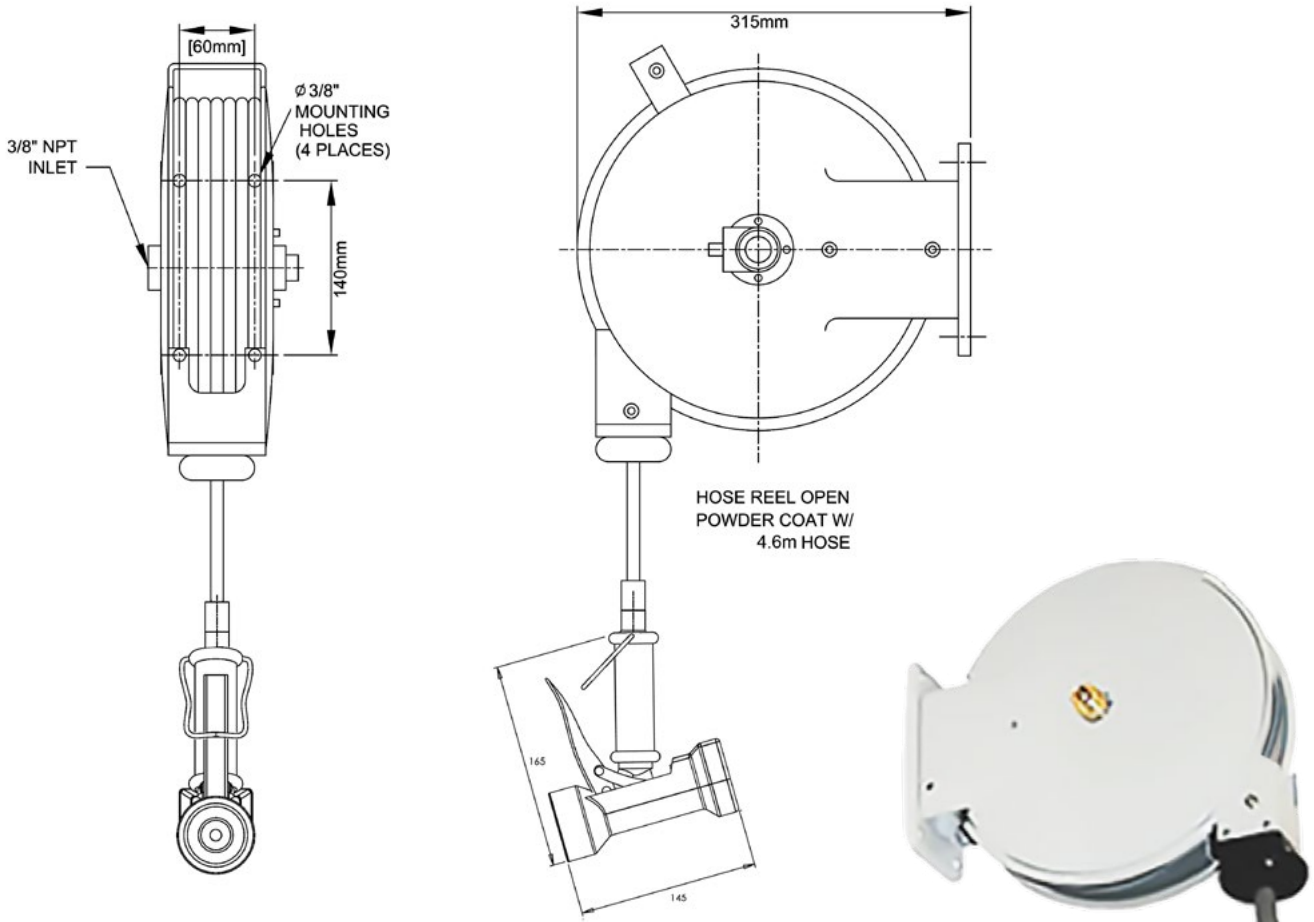


KHR1015-O-Y722 HEAVY DUTY HOSE REEL WHITE POWDER COATED

Heavy Duty Powder Coated Open Hose Reel Assembly, including 4.6m Hose and Y722 Spray Gun, Wall or Ceiling mount. Hose max. operating temperature 99°C. Heavy gauge springs & latches for positive length adjustment.



Shipping Weight 13 Kgs approx.
 Recommended Maximum Hose operating Temperature 82°C, (rated to maximum 99°C)
 Maximum Hose Operating Pressure 500kPa.
 3/8" - 18NPT inlet.
 Universal Ceiling, Floor or Wall mount
 Positive latch for stationary hose operation
 Heavy Duty springs for hose recoil
 Recoil bumper included
 Yellow Y722 Rinse with insulated handle and heavy duty face bumper
 Stainless Steel hose guard
 Full 13 Month on-site parts & labour warranty

NOTE: HOSE REELS ARE NOT WELLS RATED

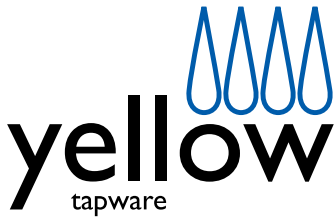
FSM (FOOD SERVICE MACHINERY PTY. LTD.)

HEAD OFFICE:
 21-23 Agosta Drive, Laverton North,
 Vic. 3026 Australia
 T: +61 3 9368 2300 F: +61 3 9369 3800
 E: sales@fsm-pl.com.au W: www.fsm-pl.com.au

SYDNEY OFFICE:
 Unit 15, 7-9 Progress Circuit,
 Prestons, NSW 2170
 T: +61 2 9608 8620 F: +61 2 9607 9370
 E: sales@fsm-pl.com.au W: www.fsm-pl.com.au

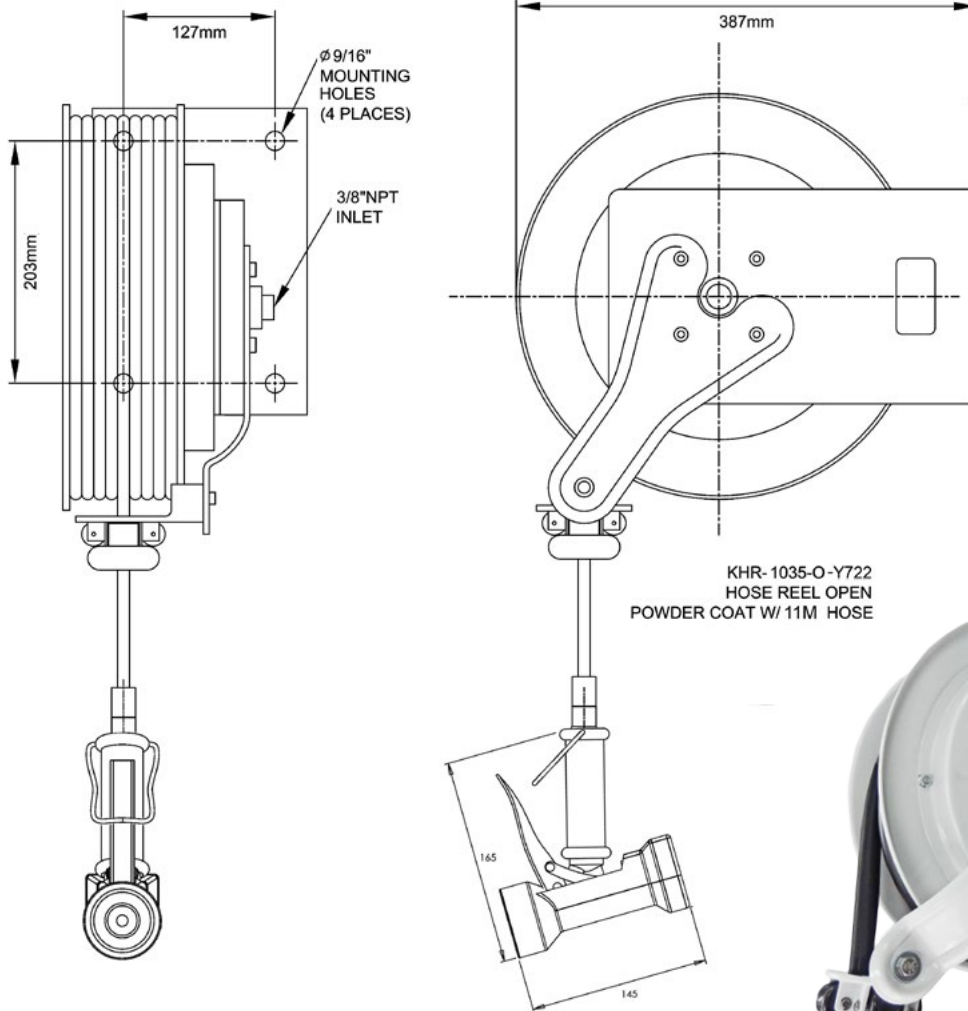
QUEENSLAND OFFICE:
 4/40 Rivergate Place,
 Murarrie, QLD 4172
 T: +61 7 3390 4185 F: +61 7 3393 9508
 E: sales@fsm-pl.com.au W: www.fsm-pl.com.au

PERTH:
 T: 0413 893 311
 E: sales@fsm-pl.com.au
 W: www.fsm-pl.com.au



KHR1035-O-Y722 HEAVY DUTY HOSE REEL WHITE POWDER COATED

Heavy Duty Powder Coated Open Hose Reel Assembly, including 11m Hose and Y722 Spray Gun, Wall or Ceiling mount. Hose rated up to 99°C. Heavy gauge springs & latches for positive length adjustment.



KHR-1035-O-Y722
HOSE REEL OPEN
POWDER COAT W/ 11M HOSE



Shipping Weight 15 Kgs approx.
 Recommended Maximum Hose operating Temperature 82°C, (rated to maximum 99°C)
 Maximum Hose Operating Pressure 500kPa.
 3/8" - 18NPT inlet.
 Universal Ceiling, Floor or Wall mount
 Positive latch for stationary hose operation
 Heavy Duty springs for hose recoil
 Recoil bumper included
 Yellow Y722 Rinse with insulated handle and heavy duty face bumper
 Stainless Steel hose guard
 Full 13 Month on-site parts & labour warranty

NOTE: HOSE REELS ARE NOT WELS RATED

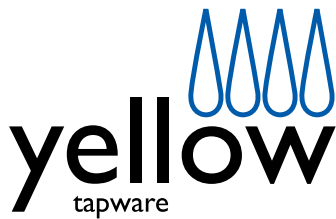
FSM (FOOD SERVICE MACHINERY PTY. LTD.)

HEAD OFFICE:
 21-23 Agosta Drive, Laverton North,
 Vic. 3026 Australia
 T: +61 3 9368 2300 F: +61 3 9369 3800
 E: sales@fsm-pl.com.au W: www.fsm-pl.com.au

SYDNEY OFFICE:
 Unit 15, 7-9 Progress Circuit,
 Prestons, NSW 2170
 T: +61 2 9608 8620 F: +61 2 9607 9370
 E: sales@fsm-pl.com.au W: www.fsm-pl.com.au

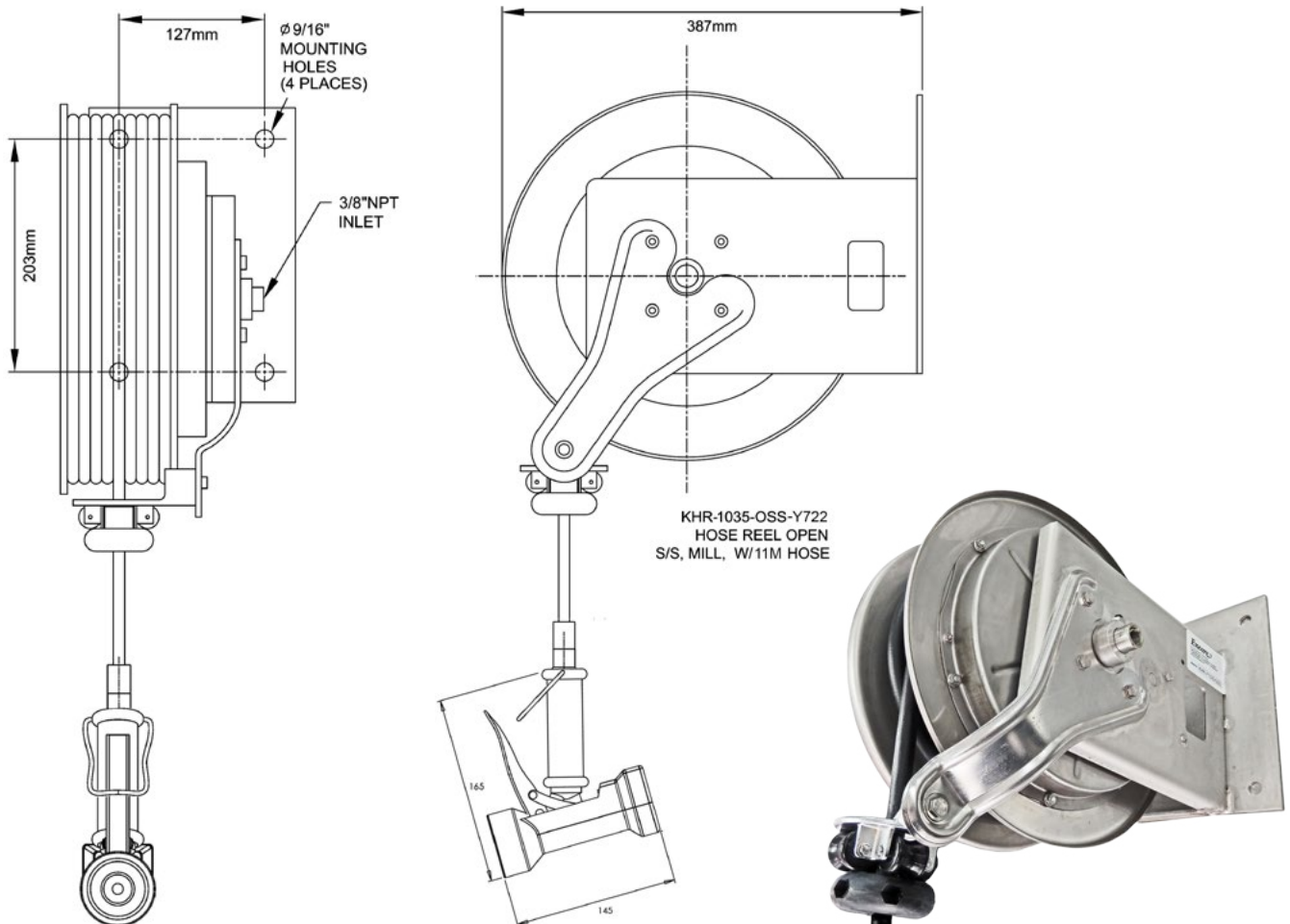
QUEENSLAND OFFICE:
 4/40 Rivergate Place,
 Murarrie, QLD 4172
 T: +61 7 3390 4185 F: +61 7 3393 9508
 E: sales@fsm-pl.com.au W: www.fsm-pl.com.au

PERTH:
 T: 0413 893 311
 E: sales@fsm-pl.com.au
 W: www.fsm-pl.com.au



KHR1035-OSS-Y722 HEAVY DUTY HOSE REEL STAINLESS STEEL

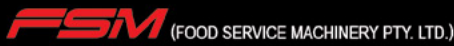
Heavy Duty Stainless Steel Open Hose Reel Assembly, including 11m Hose and Y722 Spray Gun, Wall or Ceiling mount. Hose rated up to 99°C. Heavy gauge springs & latches for positive length adjustment.



Shipping Weight 15Kgs approx.
 Recommended Maximum Hose operating Temperature 82°C, (rated to maximum 99°C)
 Maximum Hose Operating Pressure 500kPa.
 3/8" - 18NPT inlet.
 Universal Ceiling, Floor or Wall mount
 Positive latch for stationary hose operation
 Heavy Duty springs for hose recoil
 Recoil bumper included
 Yellow Y722 Rinse with insulated handle and heavy duty face bumper
 Stainless Steel hose guard
 Full 13 Month on-site parts & labour warranty



NOTE: HOSE REELS ARE NOT WELLS RATED

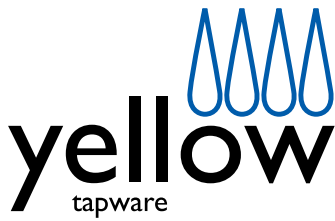


HEAD OFFICE:
 21-23 Agosta Drive, Laverton North,
 Vic. 3026 Australia
 T: +61 3 9368 2300 F: +61 3 9369 3800
 E: sales@fsm-pl.com.au W: www.fsm-pl.com.au

SYDNEY OFFICE:
 Unit 15, 7-9 Progress Circuit,
 Prestons, NSW 2170
 T: +61 2 9608 8620 F: +61 2 9607 9370
 E: sales@fsm-pl.com.au W: www.fsm-pl.com.au

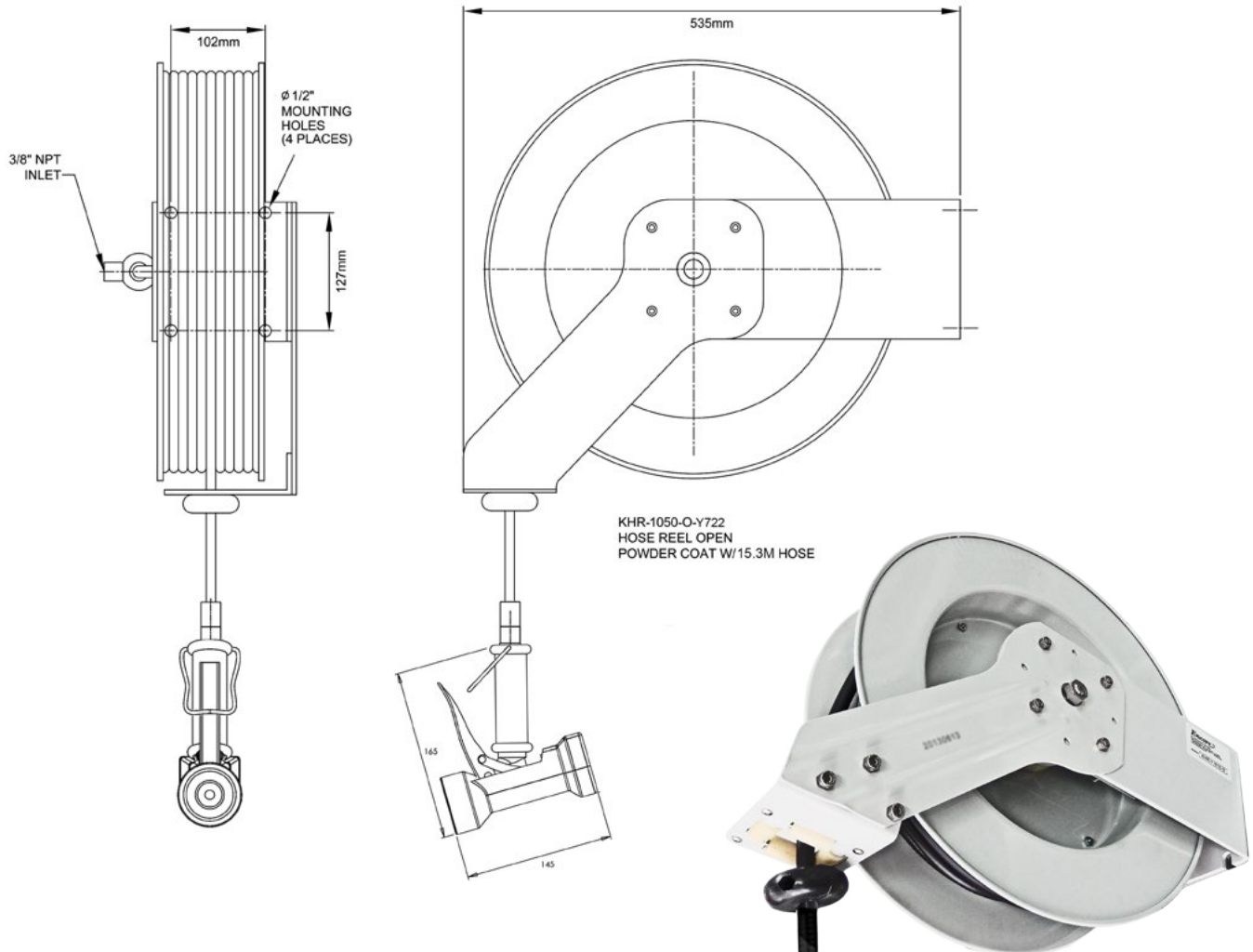
QUEENSLAND OFFICE:
 4/40 Rivergate Place,
 Murarrie, QLD 4172
 T: +61 7 3390 4185 F: +61 7 3393 9508
 E: sales@fsm-pl.com.au W: www.fsm-pl.com.au

PERTH:
 T: 0413 893 311
 E: sales@fsm-pl.com.au
 W: www.fsm-pl.com.au



KHR1050-O-Y722 HEAVY DUTY HOSE REEL WHITE POWDER COATED

Heavy Duty Powder Coated Open Hose Reel Assembly, including 15.3m Hose and Y722 Spray Gun, Wall or Ceiling mount. Hose rated up to 99°C. Heavy gauge springs & latches for positive length adjustment.



- Shipping Weight 21.5 Kgs approx.
- Recommended Maximum Hose operating Temperature 82°C, (rated to maximum 99°C)
- Maximum Hose Operating Pressure 500kPa.
- 3/8" - 18NPT inlet.
- Universal Ceiling, Floor or Wall mount
- Positive latch for stationary hose operation
- Heavy Duty springs for hose recoil
- Recoil bumper included
- Yellow Y722 Rinse with insulated handle and heavy duty face bumper
- Stainless Steel hose guard
- Full 13 Month on-site parts & labour warranty

NOTE: HOSE REELS ARE NOT WELLS RATED

FSM (FOOD SERVICE MACHINERY PTY. LTD.)

HEAD OFFICE:

21-23 Agosta Drive, Laverton North,
Vic. 3026 Australia
T: +61 3 9368 2300 F: +61 3 9369 3800
E: sales@fsm-pl.com.au W: www.fsm-pl.com.au

SYDNEY OFFICE:

Unit 15, 7-9 Progress Circuit,
Prestons, NSW 2170
T: +61 2 9608 8620 F: +61 2 9607 9370
E: sales@fsm-pl.com.au W: www.fsm-pl.com.au

QUEENSLAND OFFICE:

4/40 Rivergate Place,
Murarie, QLD 4172
T: +61 7 3390 4185 F: +61 7 3393 9508
E: sales@fsm-pl.com.au W: www.fsm-pl.com.au

PERTH:

T: 0413 893 311
E: sales@fsm-pl.com.au
W: www.fsm-pl.com.au