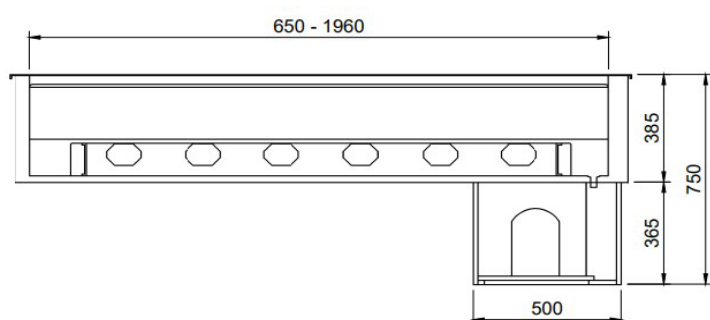
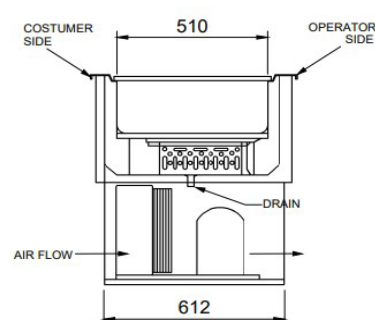


TOP VIEW



FRONT VIEW
NTS



SIDE VIEW

Emainox is from one of Europe's leading design and manufacturing facilities comes this remarkable quality range of refrigerated drop-in wells for excellent performance, leading edge style and design.

Drop-in Refrigerated Wells is an Ideal for holding and displaying cold food and beverages, this range is available in five models, with lengths of 800, 1125, 1455, 1780 and 2105mm, catering for 2 to 6 GN pans. The wells are refrigerated by cross-flow cold air and are height adjustable, ranging between 30 to 150mm to suit different food products/display requirements. For convenience, the evaporator can be lifted up for easy cleaning. The well is constructed from AISI 304 stainless steel and accommodates 1/1 GN containers. Includes an easy to use remote digital control system for adjusting temperature, and automatic defrosting.

SPECIFICATION:

MODEL	SIZE (L x D)	WELL SIZE (L x D)	NO. PANS	AMPS	WATTS
8046500THC	800 x 700mm	650 x 510mm	2GN1/1	2	500
8046501THC	1125 x 700mm	980 x 510mm	3GN1/1	3	700
8046502THC	1455 x 700mm	1310 x 510mm	4GN1/1	4	900
8046503THC	1780 x 700mm	1630 x 510mm	5GN1/1	5	1100
8046504THC	2105 x 700mm	1960 x 510mm	6GN1/1	6	1300
8046499	Evaporator Tray	To suit all models			