

EZ-FIT® HOT LID DISPENSER INSTALLATION INSTRUCTIONS

1. CUT HOLE IN COUNTER SURFACE



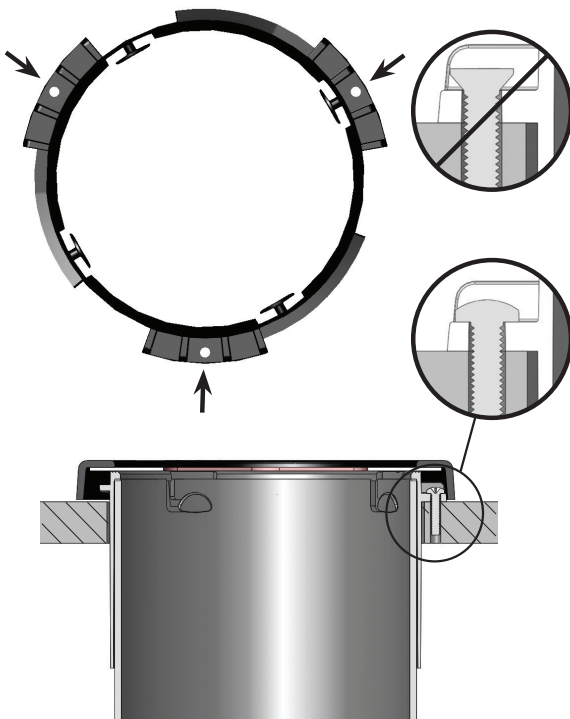
L2410



L2210

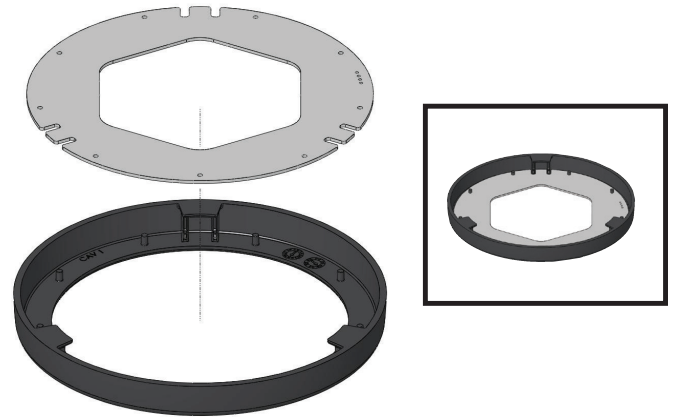
2. REMOVE TRIM RING TURNING COUNTER CLOCKWISE

3. SECURE LID DISPENSER TO COUNTER WITH SUPPLIED SCREWS

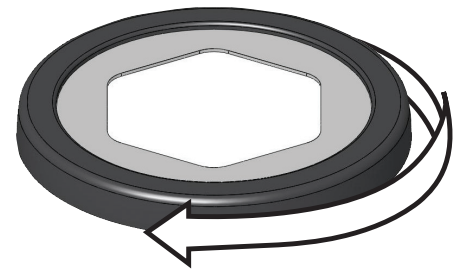


4. SELECT PROPER SIZE GASKET FOR LID (SEE TABLE ON BACK)

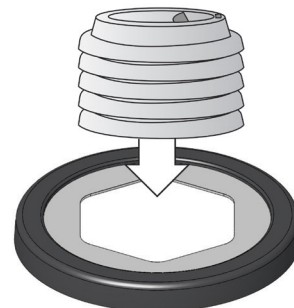
5. INSTALL GASKET OVER POSTS IN UNDERSIDE OF RING



6. REPLACE COVER RING WITH GASKET BY TURNING CLOCKWISE OVER MOUNTING RING UNTIL SECURE



7. LOAD LIDS THROUGH GASKET*



*More delicate lids may need to be loaded into dispenser before replacing cover ring with gasket.

REPLACEMENT PARTS & ACCESSORIES (see reverse side for replacement gaskets)

X24MT Black Mounting Ring (new low profile)
X24TR Black Trim Ring (new low profile)

C2413BK End Cap
I00458BK Cup Pusher

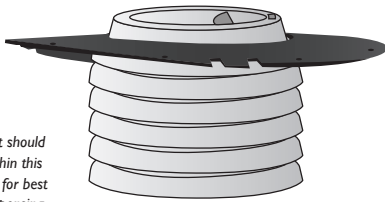
C2203BK End Cap
C3426BK Cup Pusher

GASKET SIZING GUIDE

REPLACEMENT GASKET KITS

Gasket Size	Part Numbers		Quantity of Gaskets in Kit
	L2410	L2210	
SMALL	XL2422S	XL2222S	3
MEDIUM	XL2422M	XL2222M	3
LARGE	XL2422L	XL2222L	3
EXTRA LARGE	XL2422XL	XL2222XL	3
	XL2426, XL2226 One each-Small, Medium, Large, Extra Large		4

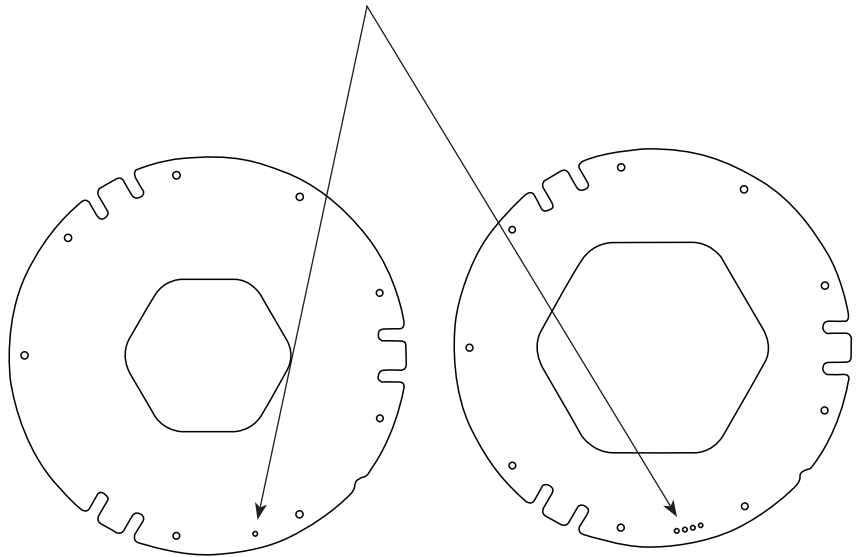
HOW TO DETERMINE WHICH GASKET TO USE



Gasket should lie within this range for best lid dispensing performance.

1. Set lid down right side up.
2. Test approximate gasket by partially pulling through the lid.
3. When lid fits appropriately, the outer edges of the lid will be grabbed by the gasket - load lids into dispenser and pull to verify one-at-a-time is being achieved.

SMALL GROUPING OF HOLES ON EDGE INDICATE GASKET SIZE (SEE CHART)



# OF HOLES	GASKET SIZE	PART #	
○	SMALL	XL2422S	XL2222S
○○	MEDIUM	XL2422M	XL2222M
○○○	LARGE	XL2422L	XL2222L
○○○○	EXTRA LARGE	XL2422XL	XL2222XL