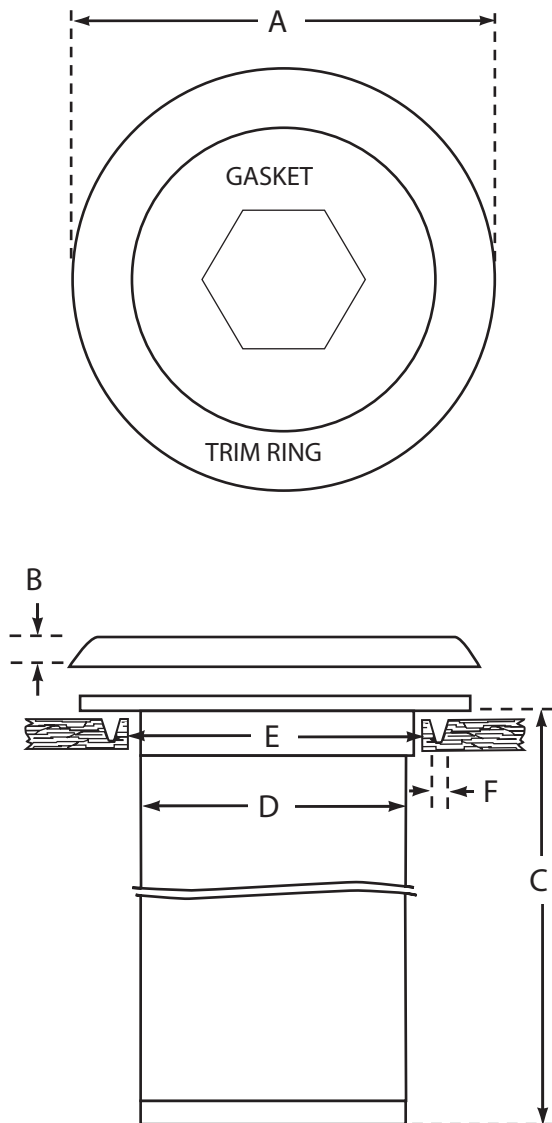




EZ-Fit[®]

Gasket Style Counter Mount-Type Lid Dispensers



Specifications for EZ-Fit [®] Dispensers	 L2410 EZ-Fit [®] Hot Lid Dispenser Large	 L2210 EZ-Fit [®] Hot Lid Dispenser Small
Trim Ring Diameter A	173 mm	154 mm
Trim Ring Height B	18 mm	18 mm
Tube Length C	590 mm	590 mm
Tube Diameter D	143 mm	121 mm
Counter Hole Cut-Out Diameter E	146 mm	124 mm
Screw Hole Diameter F	5 mm	4 mm
Lid Rim Diameter Range	76-95mm	95-101mm