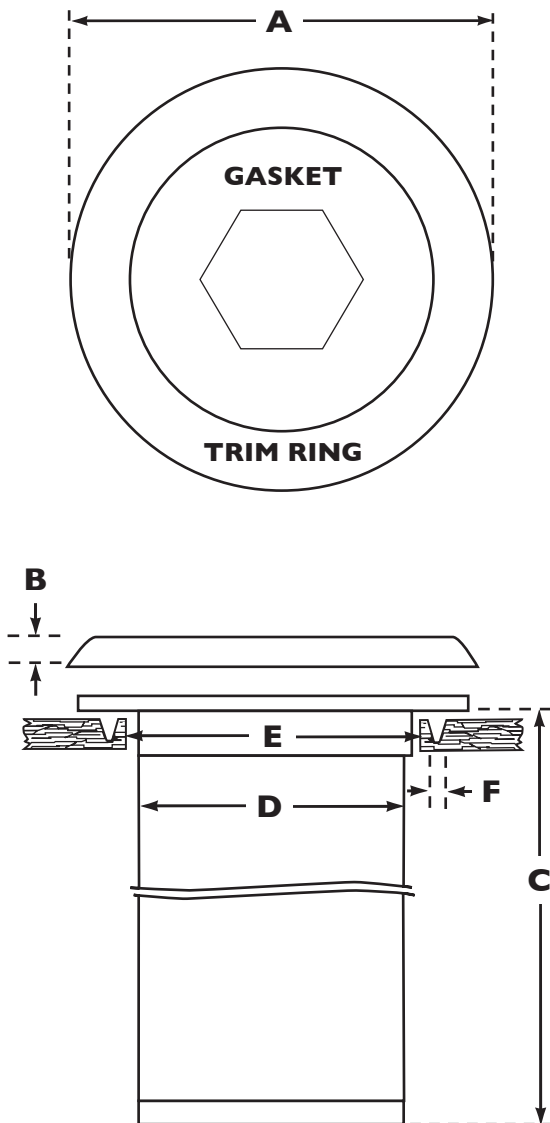




EZ-Fit[®]

Gasket Style Counter Mount-Type Lid Dispensers



Specifications for EZ-Fit [®] Dispensers	 L2410 EZ-Fit [®] Hot Lid Dispenser Large	 L2210 EZ-Fit [®] Hot Lid Dispenser Small
Trim Ring Diameter A	6 13/16" (173 mm)	6 1/16" (154 mm)
Trim Ring Height B	11/16" (18 mm)	11/16" (18 mm)
Tube Length C	23 1/4" (590 mm)	23 1/4" (590 mm)
Tube Diameter D	5 5/8" (143 mm)	4 3/4" (121 mm)
Counter Hole Cut-Out Diameter E	5 3/4" (146 mm)	4 3/4" (124 mm)
Screw Hole Diameter F	3/16" (5 mm)	5/32" (4 mm)
Lid Rim Diameter Range	3"-3 3/4" (76-95mm)	3 3/4"-4" (95-101mm)