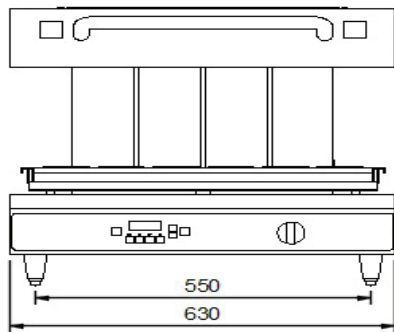
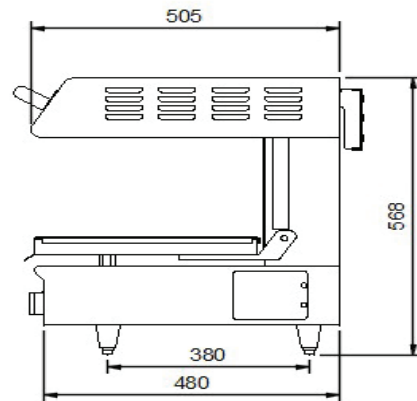


TOP VIEW



FRONT VIEW  
NTS



SIDE VIEW

**TMS2-1H** is Hatco's second generation high-speed Salamander with electronic controls. The **TMS2-1H** is specially designed for versatility in the kitchen with the capabilities to cook, grill, hold and reheat food products. Using a gravity sensor and infrared technology, the optimum temperature is reached instantly and efficiently when food products are placed on the grill plate.

**SPECIFICATION**

|            |                      |
|------------|----------------------|
| Dimensions | 630W x 505D x 568Hmm |
| Weight     | 80Kgs                |
| Voltage    | 230V                 |
| Phase      | 1                    |
| Watts      | 4.1Kw                |
| Amps       | 17.2                 |

**STANDARD FEATURES**

- Instant-On heating elements located in upper housing
- Plate detection feature activates the Instant-On heating elements when a food plate is placed on the grill plate, and deactivates when removed
- Heating elements are only on when in use, eliminating residual heat in the kitchen
- Made of stainless steel for easy cleaning and durability
- Can be placed on a countertop or wall-mounted
- Hold mode could be adjusted to save 25%-50% power
- Adjustable upper housing give (170 mm) of vertical movement
- Flat, tactile control pane
- Standard model shipped with removeable cooking grate & drip tray and wall mounting hardware