

Electronic Sensor Tap

JET4003W

Wall Mounted Electronic Tap with Infrared Sensor and Battery & Mains Power

6-star 6 lpm
(Nominal Flow : 6 lpm)



Product Features



- Digital sensor technology; Sensor range, run timing and hygiene flush programming are adjustable post installation with the use of remote controls (sold separately)
- Extension leads available for both power and sensor
- IP67 rated control box houses the solenoid valve and waterproof connections
- Integral strainer minimises fouling by debris
- Both battery and mains power options available (Configuration can be changed following installation)
- Hygiene flush programming minimises the risk of Legionella from infrequently used fixtures
- Recommended for all types of projects

Technical Information



Materials	Body: DZR Brass Solenoid Valve: Engineering Grade Plastic
Cartridge	6 Volt Solenoid Valve
Cartridge Size	15 mm
Inlet	15 mm Female Flexible Connections (G1/2" BSP)
Outlet	Aerated Flow
Run time	2 seconds (auto on / off)
Working Pressures	50kPa-500kPa
Recommended Working Pressures	350kPa
Working Temperatures	5°C - 50°C
Finish / Colour	Chrome Plated

Product Certifications



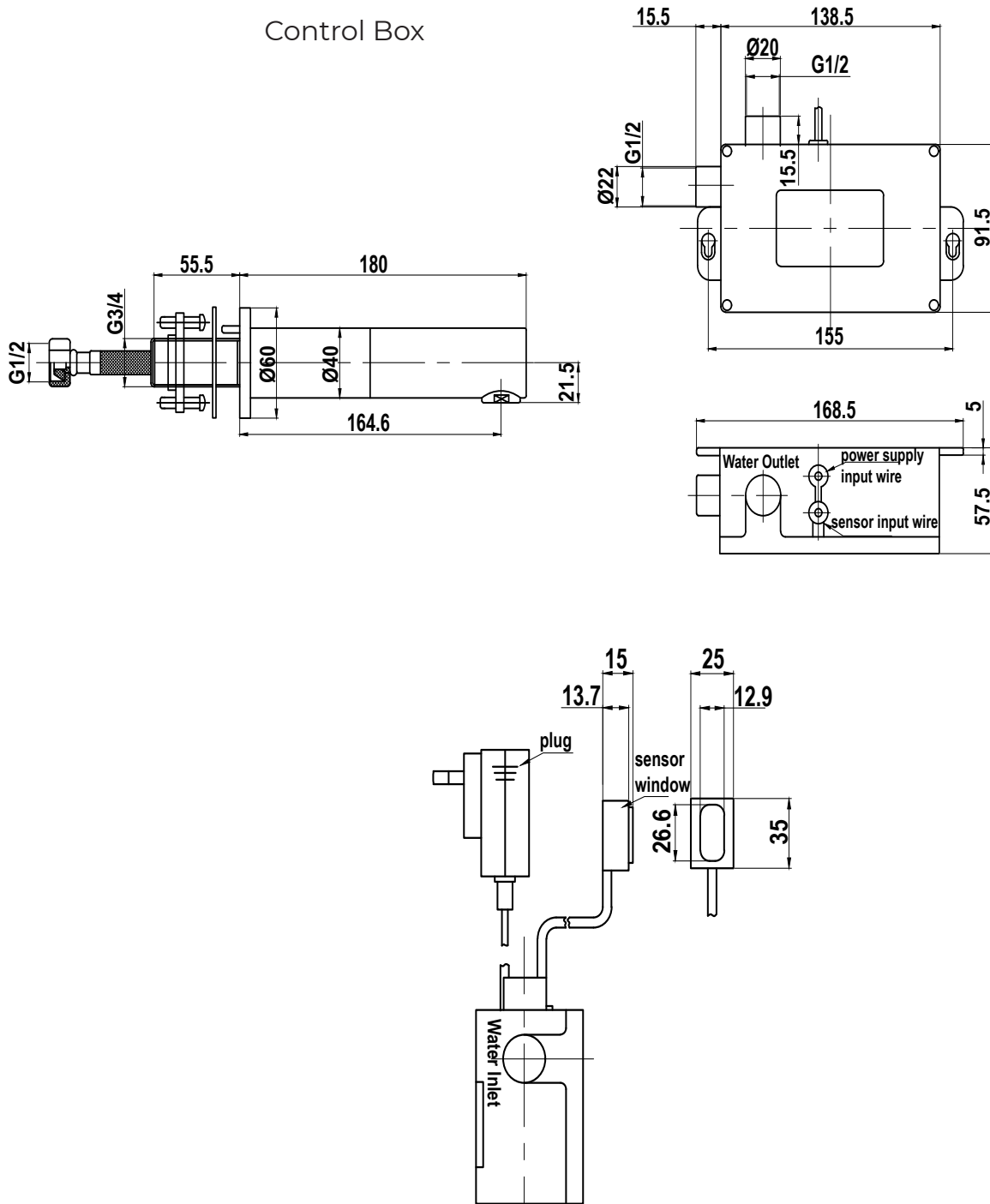
WELS: T17974



WaterMark
AS/NZS 3718: 2005
Licence No. WMKA25617
SAI GLOBAL



Control Box



All measurements are in millimetres and should be used as a guide only



Lever Sink Set

JET3300DCB

Deck Mounted Sink Set with 300mm Square Swivel Spout and 100mm Lever Handles

4 star 7.5 lpm
(Nominal Flow : 7.25 lpm)

Product Features



- No crevices to eliminate bacterial build-up
- Red, Yellow & Blue button indicators supplied
- Soft seal, easy action ceramic disk cartridge
- Allen key fixings for secure handles and outlets
- Product customization available
- Recommended for use in health and aged care projects

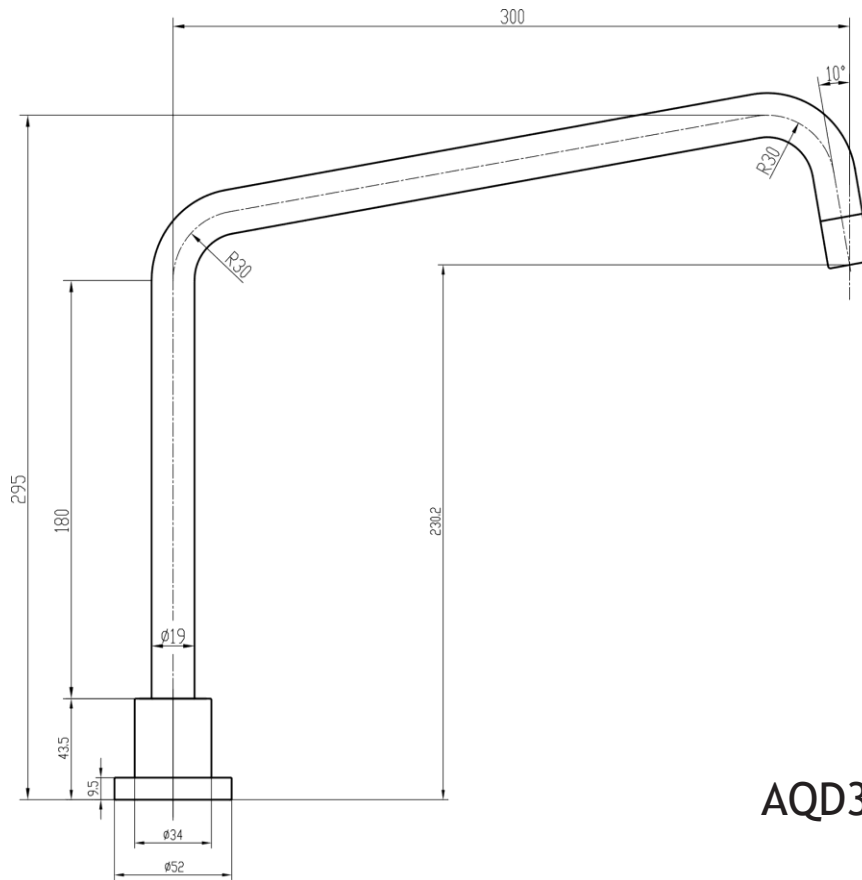
Technical Information



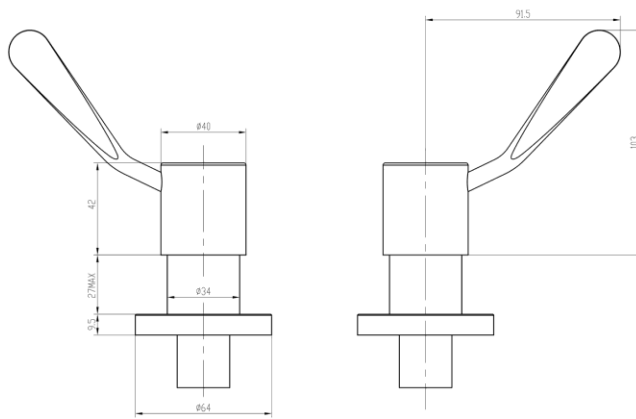
Materials	Body: DZR Brass Handle: Zinc Alloy
Cartridge	Ceramic Disk (Quarter Turn)
Cartridge Size	15mm
Inlet	15mm (G 1/2" BSP)
Outlet	Aerated Flow
Working Pressures	50kPa-500kPa
Recommended Working Pressures	350kPa
Working Temperatures	5°C - 80°C
Finish / Colour	Satin Chrome Plated

Product Certifications





AQR3300CB



All measurement are in millimeters and should be used as a guide only

Timed Flow Valve JET780D



Wall Mounted Single Temperature Timed Flow Knee Operated Valve with Knee Wand Attachment

Product Features



- Soft-close, hydraulically operated time flow means that it's suitable for all markets
- Designed to be durable and anti-vandal Suitable for use in public areas
- One service kit for easy maintenance
- Supplied with inlet strainer
- Recommended for commercial and public projects

Technical Information

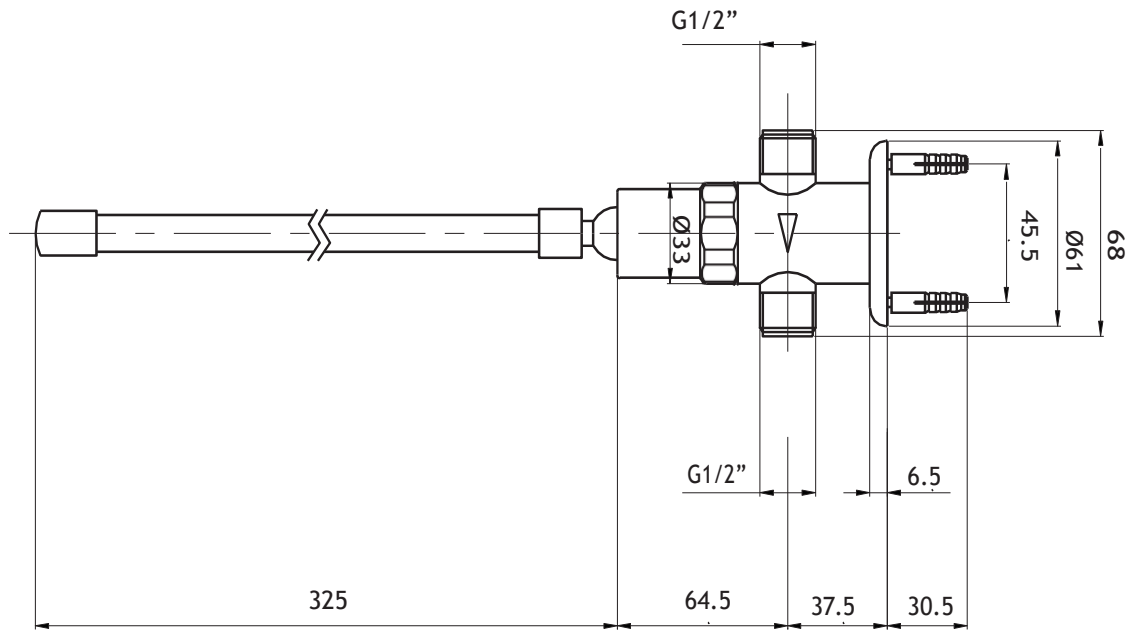


Materials	Body: DZR Brass Wand: Engineering Plastic
Cartridge	Timed Flow (Hydraulic)
Cartridge Size	15mm
Inlet	15mm Male (G 1/2" BSP)
Outlet	15mm Male (G 1/2" BSP)
Run time	15 (+/- 2) seconds (Fixed)
Working Pressures	150kPa-500kPa
Recommended Working Pressures	350kPa
Working Temperatures	5°C - 50°C
Finish / Colour	Chrome Plated
Warranty	5 years*

Product Certifications



WaterMark
AS/NZS 3718: 2005
Licence No. WM 74513
ApprovalMark



All measurements are in millimeters and should be used as a guide only



Single Lever Basin Mixer

JET3000D

Stainless Steel Deck Mounted Gooseneck Swivel Sink Mixer with Red & Blue Printed Handle - 4lpm

6 star 3.5 lpm
(Nominal Flow : 2.9 lpm)

Product Features



- Soft close operation
- Printed indicators eliminate crevices for bacteria build up
- Stainless steel can be rejuvenated at any time over the life of the product
- Environmentally friendly, no electroplating processes used throughout the product lifecycle
- Laminar flow to reduce aerosol at the outlet
- Additional flow rates available
- Recommended for commercial, health and hospitality projects
- Product customization available

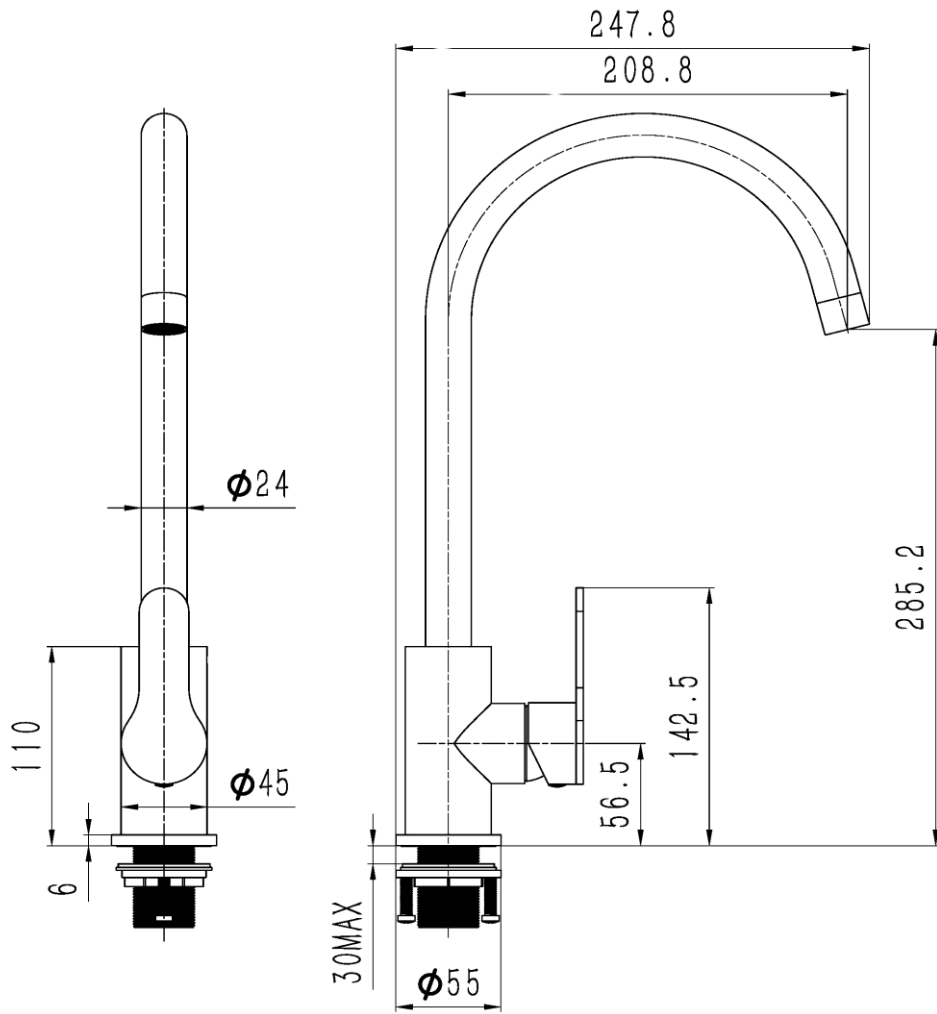
Technical Information



Materials	Body: Stainless Steel (SS304) Handle: Stainless Steel (SS304)
Cartridge	Ceramic Disk
Cartridge Size	35mm
Inlet	15mm Female Flexible Connections (G1/2" BSP)
Outlet	Laminar Flow
Working Pressures	50kPa-500kPa
Recommended Working Pressures	350kPa
Working Temperatures	5°C - 80°C
Finish / Colour	Brushed Stainless Steel
Warranty	2 years*

Product Certifications





All measurements are in millimeters and should be used as a guide only



Single Lever Sink Mixer

JET3150D

Deck Mounted Gooseneck Sink Mixer with Dual Handles

4 star 7.5 lpm
(Nominal Flow : 6.43 lpm)

Product Features



- Soft close operation
- Red, yellow & blue indicators provided
- Supplied with PEX inlet hoses
- Recommended for commercial, health and hospitality projects
- Product customization available

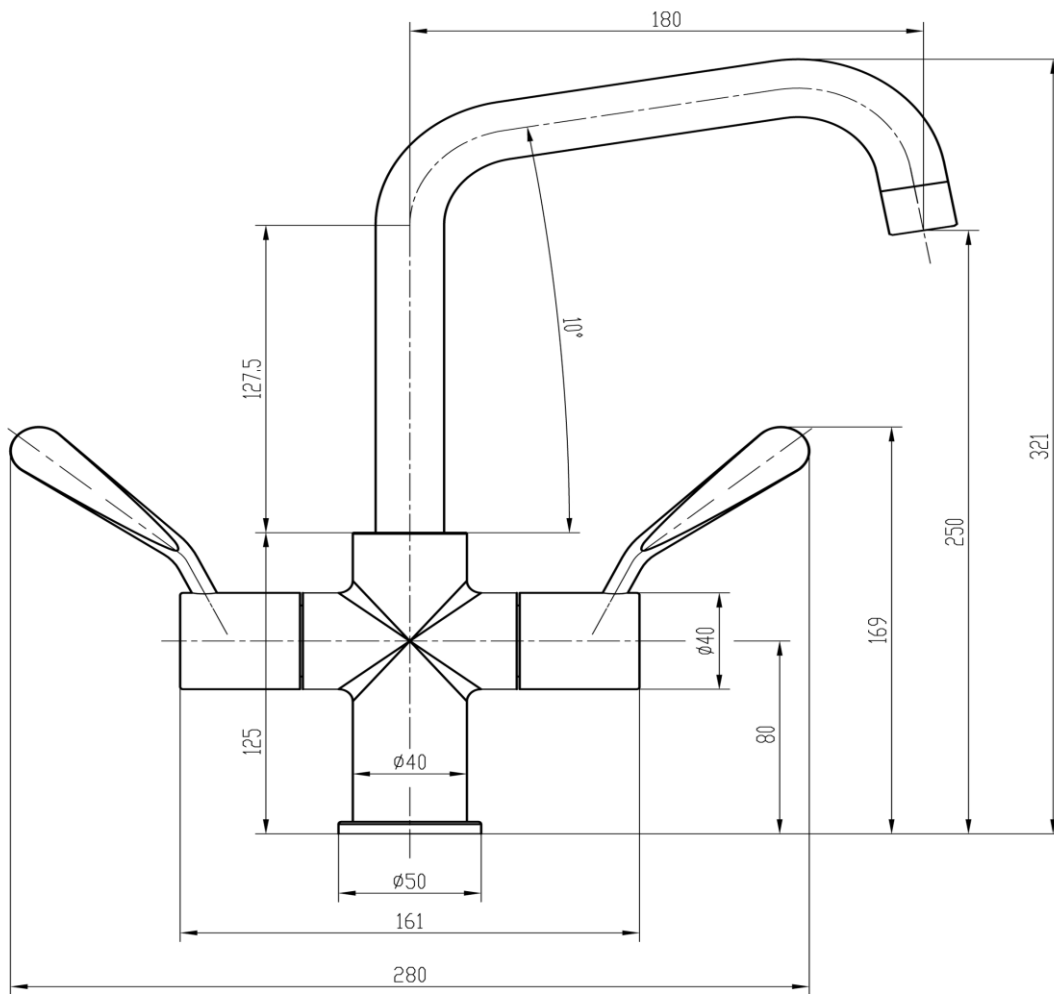
Technical Information



Materials	Body: DZR Brass Handle: Zinc Alloy
Cartridge	Ceramic Disk
Cartridge Size	15mm
Inlet	15mm Female Flexible Connections (G1/2" BSP)
Outlet	Aerated Flow
Working Pressures	150kPa-500kPa
Recommended Working Pressures	350kPa
Working Temperatures	5°C - 80°C
Finish / Colour	Satin Chrome Plated
Warranty	2 years*

Product Certifications





All measurements are in millimeters and should be used as a guide only



Lever Mixing Set

JET3180WCB

Wall Mounted Concealed Mixing Set with 180mm Square Swivel Spout and 100mm Lever Handles

4 star 7.5 lpm
(Nominal Flow : 7.37 lpm)

Product Features



- No crevices to eliminate bacterial build-up
- Red, Yellow & Blue button indicators supplied
- Soft seal, easy action ceramic disk cartridge
- Allen key fixings for secure handles and outlets
- Product customization available
- Recommended for use in health and aged care projects

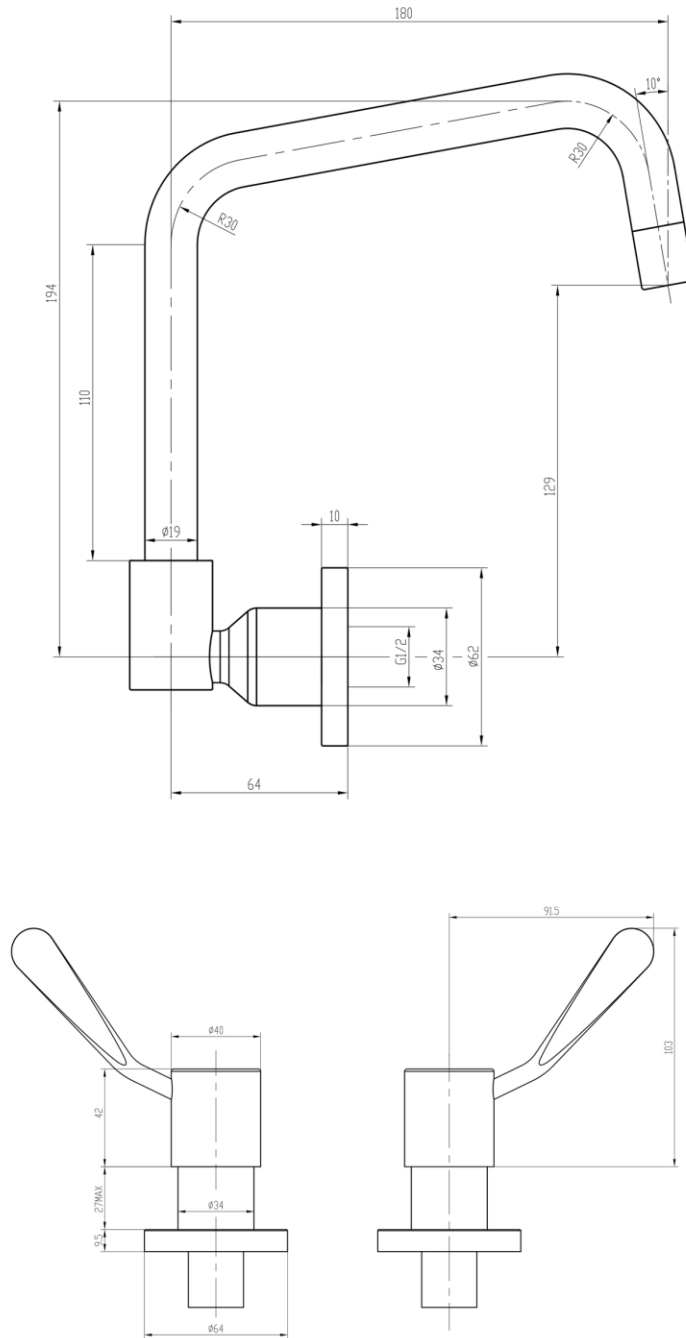
Technical Information



Materials	Body: DZR Brass Handle: Zinc Alloy
Cartridge	Ceramic Disk (Quarter Turn)
Cartridge Size	15mm
Inlet	15mm (G 1/2" BSP)
Outlet	Aerated Flow
Working Pressures	50kPa-500kPa
Recommended Working Pressures	350kPa
Working Temperatures	5°C - 80°C
Finish / Colour	Satin Chrome Plated

Product Certifications





All measurements are in millimeters and should be used as a guide only



Timed Flow Pillar Tap

JET745D

Deck Mounted Single Temperature Timed Flow Pillar Tap

6-star 3.5 lpm
(Nominal Flow : 3.1 lpm)

Product Features



- Soft-close, hydraulically operated time flow means that it's suitable for all markets
- Designed to be durable and anti-vandal Suitable for use in public areas
- One service kit for easy maintenance
- Supplied with inlet strainer and flow controller
- Red, Yellow & Blue button indicators supplied
- Up to 0-40 (+/-10) seconds run time available
- Adjustable Timed Cartridge available
- Recommended for commercial and public projects

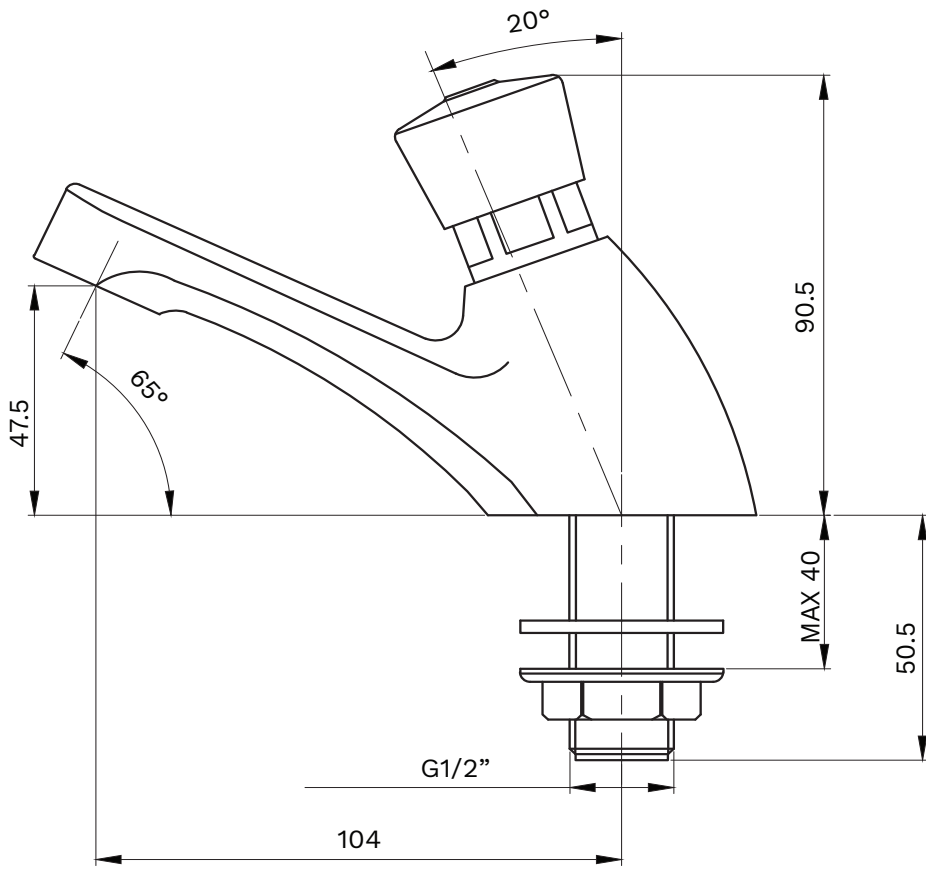
Technical Information



Materials	DZR Brass
Cartridge	Timed Flow (Hydraulic)
Cartridge Size	15 mm
Inlet	15mm Male (G 1/2" BSP)
Outlet	Free Flow
Run time	5 (+/- 1) seconds (Fixed)
Working Pressures	150kPa-500kPa
Recommended Working Pressures	350kPa
Working Temperatures	5°C - 50°C
Finish / Colour	Chrome Plated

Product Certifications







Electronic Sensor Tap **JET1000D**

**Stainless Steel Deck Mounted
Right Angle Electronic Tap with
Laser Sensor and Battery & Mains
Power**

6-star 6.0 lpm
(Nominal Flow : 6.0 lpm)

Product Features



- Advanced laser sensor technology provides precision, consistency and with variable programming. This avoids nuisance triggering and activates on all skin tones
- 100% Lead-Free
- Sensor range is adjustable post installation without the use of tools
- IP67 rated control box enclosure houses the solenoid valve and waterproof connections
- Extension leads available for either power or sensor (not both simultaneously)
- Integral line strainer minimises fouling by debris
- Both battery and mains power options available (Configuration can be changed following installation)
- Factory-set runtime, sensitivity and hygiene flush options available
- Hygiene flush programming minimises the risk of Legionella from infrequently used fixtures
- All waterways are smooth bored for improved infection control
- Recommended for all types projects

Technical Information



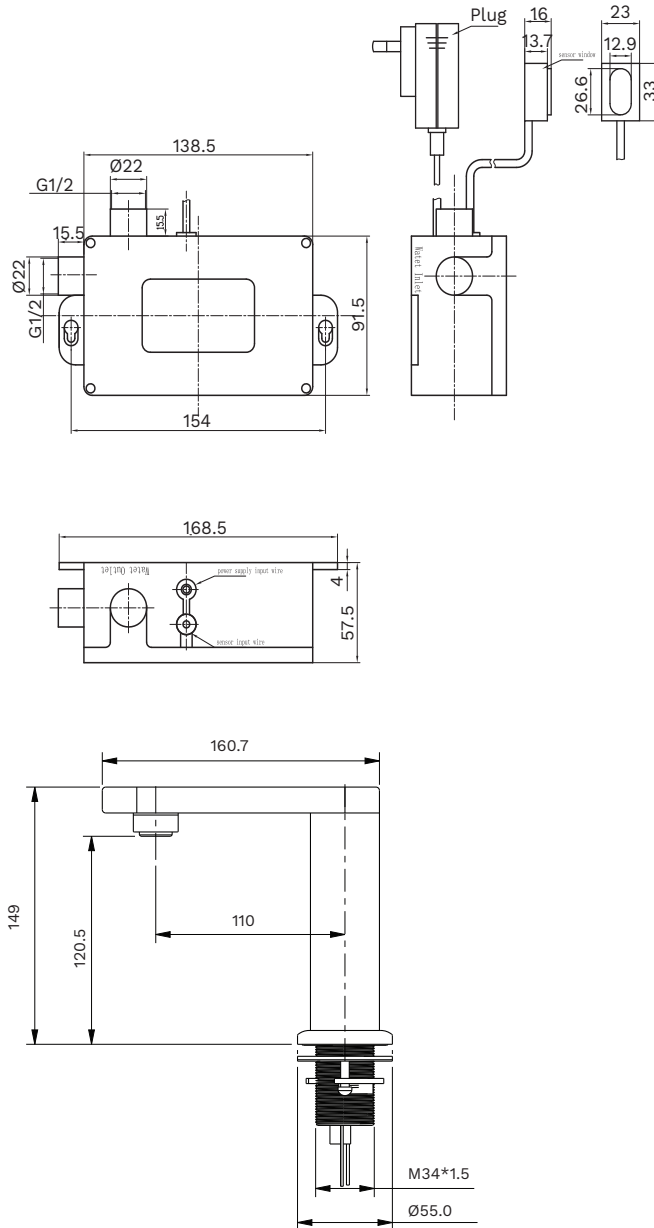
Materials	Body: Stainless Steel (SS316) Solenoid Valve: Engineering Grade Plastic
Cartridge	Solenoid Valve 6 Volt Solenoid 15mm
Cartridge Size	15 mm
Inlet	15 mm Female Flexible Connections (G1/2" BSP)
Outlet	Laminar Flow
Run time	2 seconds (auto on / off)
Working Pressures	50kPa-500kPa
Recommended Working Pressures	350kPa
Working Temperatures	5°C - 50°C
Finish / Colour	Polished Stainless Steel

Product Certifications





Control Box



All measurements are in millimetres and should be used as a guide only



Pre-rinse Unit

JET1200D

Stainless Steel Deck Mounted Pre-rinse Unit with Pot Filler and Mixer

6-star 2.5 lpm
(Nominal Flow : 2.19 lpm)

Product Features



- Lead Free
- Soft Close Operation
- One cartridge used across the Jetstream Food Service range for easy maintenance
- The soft, easy-to-clean hose provides flexibility and ease-of-use
- Soft spring for easy operation
- Double Check Valve
- (SS316) PEX inlet hoses
- Durable stainless steel blade spray for convenient cleaning
- Recommended for commercial kitchens

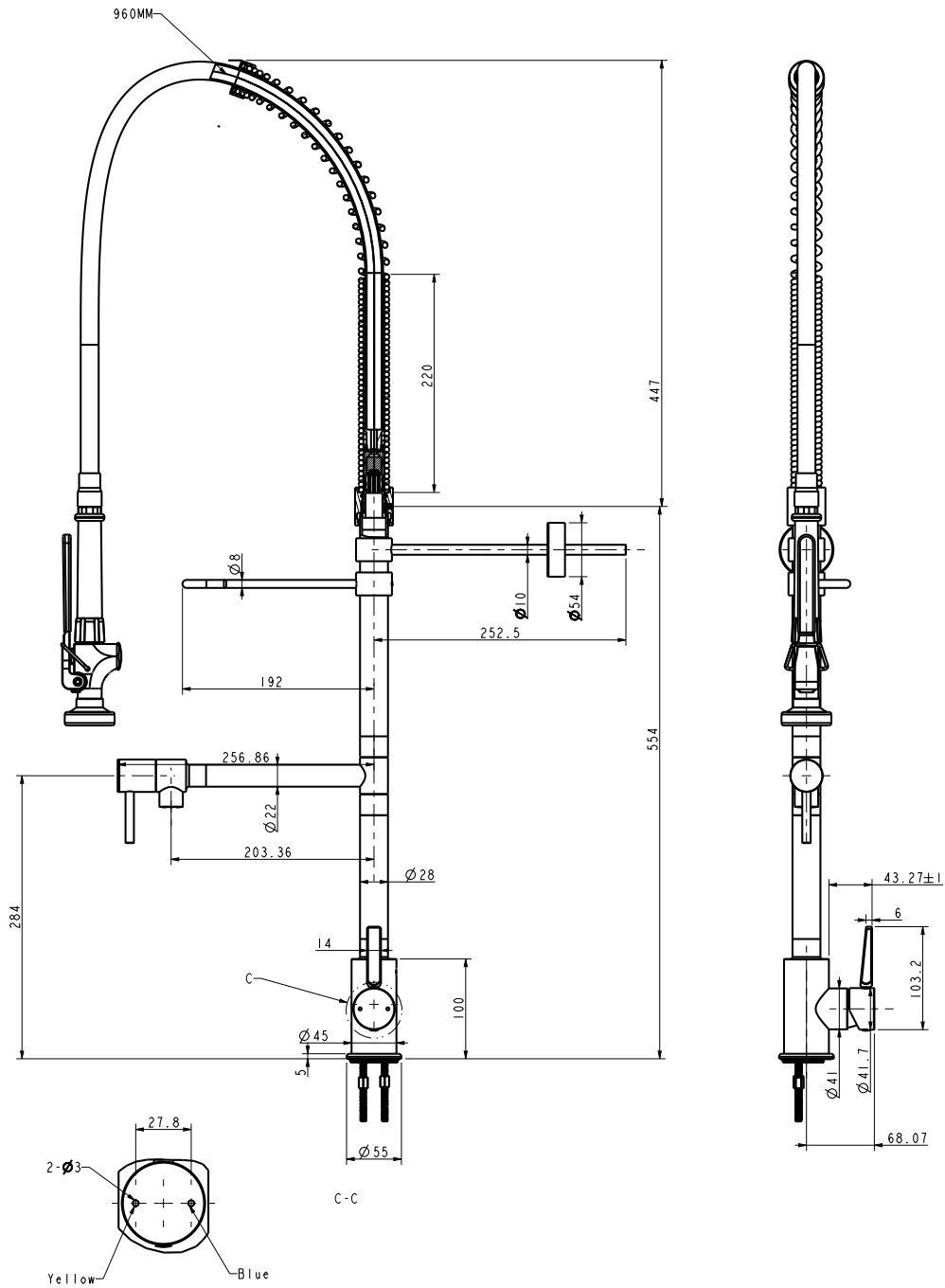
Technical Information



Materials	Stainless Steel (SS304)
Cartridge	Self closing / Ceramic Disk
Cartridge Size	25mm
Inlet	15 mm Female Flexible Connections (G1/2" BSP)
Outlet	Blade Spray / Laminar Flow
Working Pressures Recommended	150kPa-500kPa
Working Pressures	350kPa
Working Temperatures	5°C - 80°C
Finish / Colour	Brushed Stainless Steel

Product Certifications





All measurements are in millimetres and should be used as a guide only

Pre-rinse Unit

JET1500D

Stainless Steel Deck Mounted Pre-rinse Unit with Pot Filler and Dual Handle Mixer

6-star 2.5 lpm
(Nominal Flow : 2.19 lpm)



Product Features



- Lead Free
- Soft Close Operation
- One cartridge used across the Jetstream Food Service range for easy maintenance
- The soft, easy-to-clean hose provides flexibility and ease-of-use
- Soft spring for easy operation
- Double Check Valve
- (SS316) PEX inlet hoses
- Durable stainless steel blade spray for convenient cleaning
- Recommended for commercial kitchens

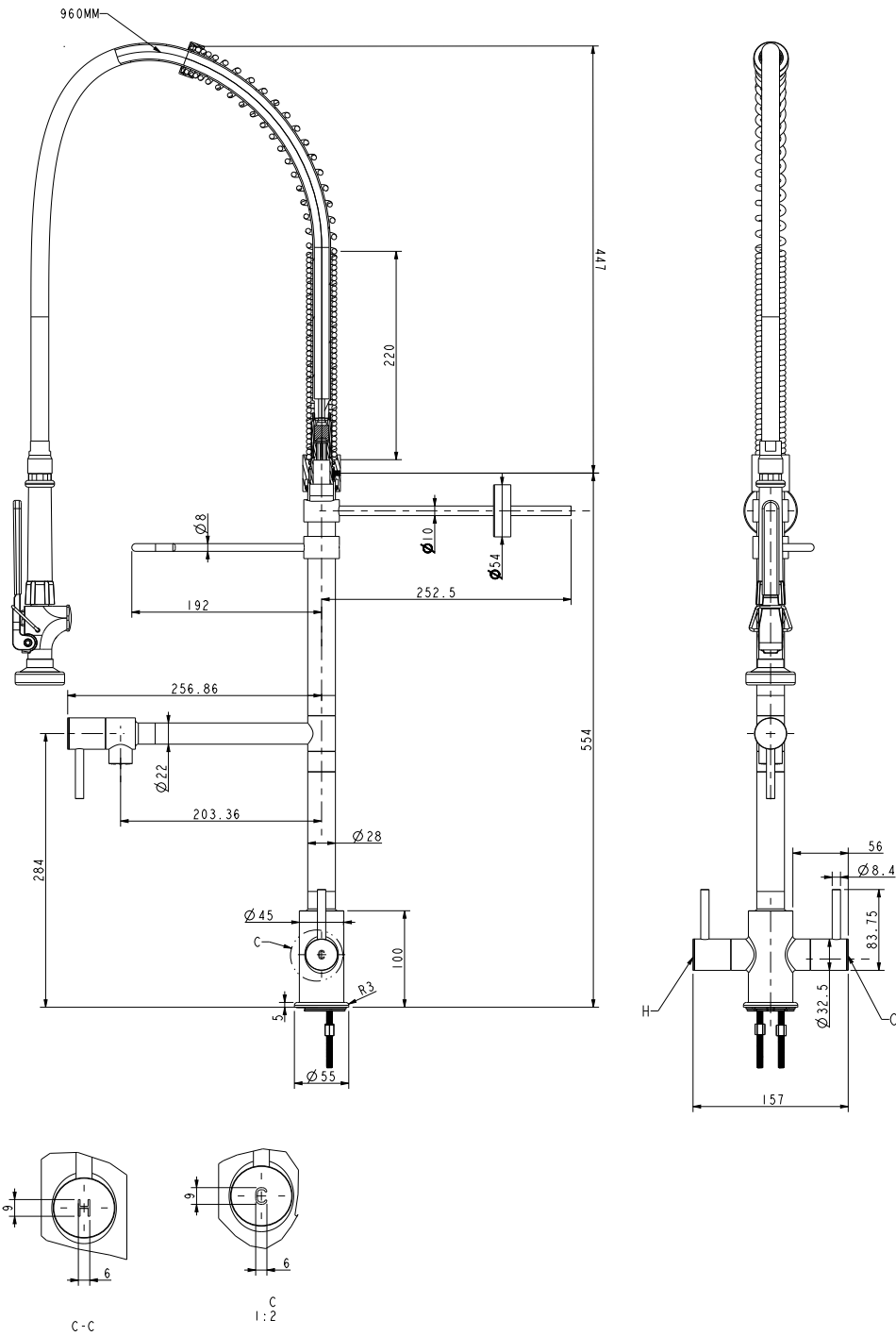
Technical Information



Materials	Stainless Steel (SS304)
Cartridge	Self closing / Ceramic Disk
Cartridge Size	15mm
Cartridge Size	15 mm Female Flexible Connections
Inlet	(G1/2" BSP)
Outlet	Blade Spray / Laminar Flow
Working Pressures Recommended	150kPa-500kPa
Working Pressures	350kPa
Working Temperatures	5°C - 80°C
Finish / Colour	Brushed Stainless Steel

Product Certifications





All measurements are in millimetres and should be used as a guide only

Pre-rinse Unit

JET1500DLH

Stainless Steel Low Height Deck Mounted Pre-rinse Unit with Pot Filler and Dual Handle Mixer
 6-star 2.5 lpm
 (Nominal Flow : 2.19 lpm)



Product Features



- Lead Free
- Soft Close Operation
- One cartridge used across the Jetstream Food Service range for easy maintenance
- The soft, easy-to-clean hose provides flexibility and ease-of-use
- Soft spring for easy operation
- Double Check Valve
- (SS316) PEX inlet hoses
- Durable stainless steel blade spray for convenient cleaning
- Recommended for commercial kitchens

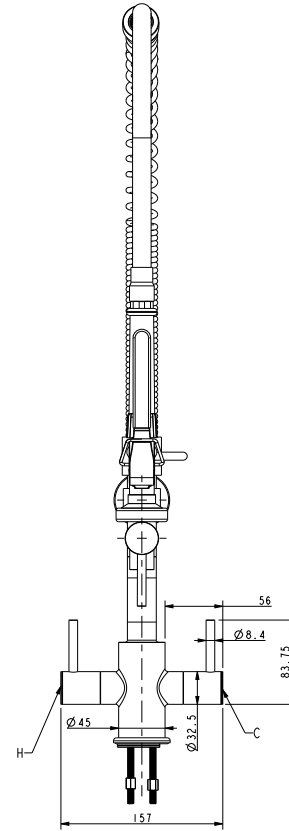
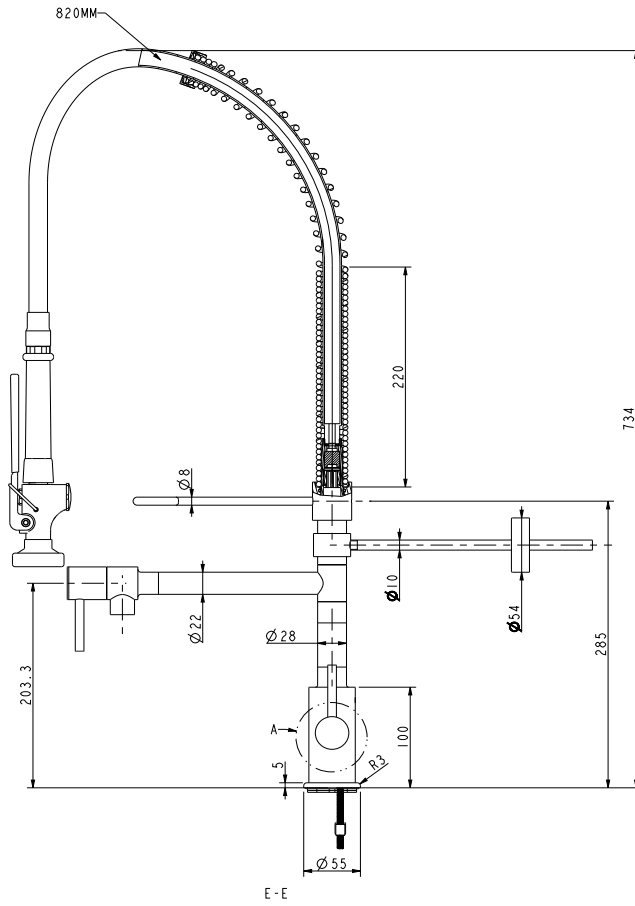
Technical Information



Materials	Stainless Steel (SS304)
Cartridge	Self closing / Ceramic Disk
Cartridge Size	15mm
Cartridge Size	15 mm Female Flexible Connections
Inlet	(G1/2" BSP)
Outlet	Blade Spray / Laminar Flow
Working Pressures Recommended	150kPa-500kPa
Working Pressures	350kPa
Working Temperatures	5°C - 80°C
Finish / Colour	Brushed Stainless Steel

Product Certifications





All measurements are in millimetres and should be used as a guide only



Pre-rinse Unit

JET1500W

Wall Mounted Pre-rinse Unit with Pot Filler, Exposed Mixing Breech and 100mm Lever Handles

6 star 3.0 lpm
(Nominal Flow : 2.74 lpm)

Product Features



- Trigger spray is 6 Star 3lpm
- Jet spray in the trigger spray is created with a stainless-steel blade that retains its shape for longer and provides an easier clean with less water use
- The soft, easy-clean hose provides flexibility and makes using the trigger spray easier
- Soft spring for easy operation
- Adjustable wall bracket
- Double-check valve
- Recommended for Commercial Kitchens

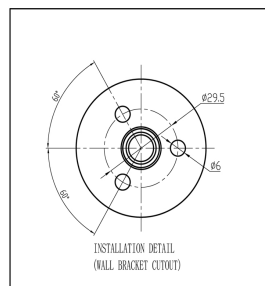
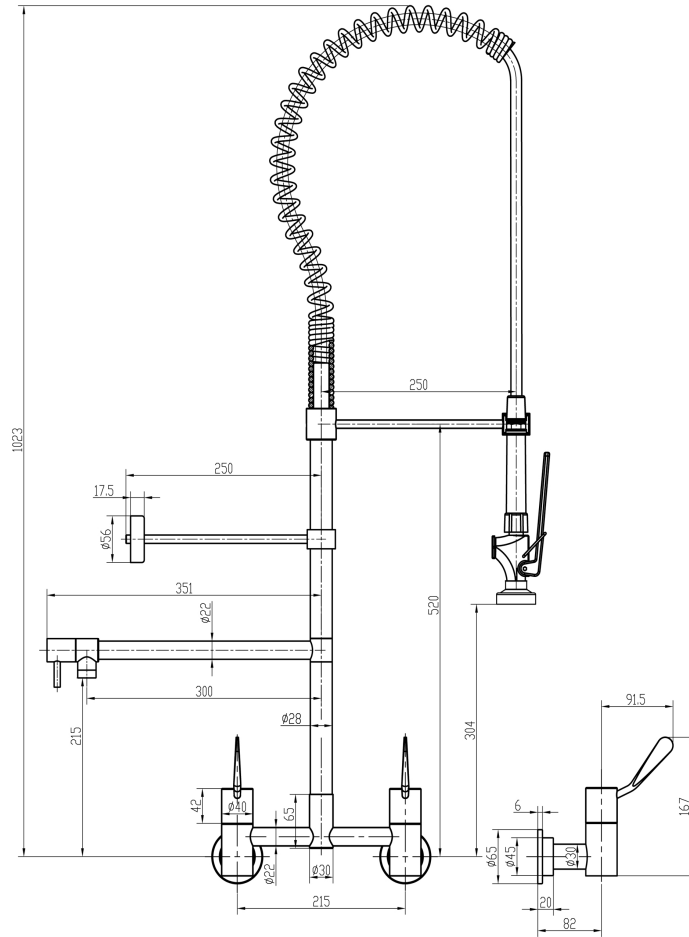
Technical Information



Materials	DZR Brass
Cartridge	Blade Spray: Stainless Steel Ceramic Disk / Self Closing
Cartridge size	15 mm
Inlet	15mm Female (G 1/2" BSP)
Outlet	Blade Spray / Aerated Flow
Working Pressures	150kPa-500kPa
Recommended Working Pressures	350kPa
Working Temperatures	5°C - 80°C
Finish / Colour	Body: Chrome Plated
Finish / Colour 2	Trigger Handle: Plastic Coated

Product Certifications





All measurements are in millimetres and should be used as a guide only



Pre-rinse Unit

JET1500WCB

Wall Mounted Pre-rinse Unit with Pot Filler, Recess Adaptors and 100mm Lever Handles

6 star 3.0 lpm
(Nominal Flow : 2.74 lpm)

Product Features



- Trigger spray is 6 Star 3lpm
- Jet spray in the trigger spray is created with a stainless-steel blade that retains its shape for longer and provides an easier clean with less water use
- The soft, easy-clean hose provides flexibility and makes using the trigger spray easier
- Soft spring for easy operation
- Adjustable wall bracket
- Double-check valve
- Shower Spray available
- Recommended for Commercial Kitchens

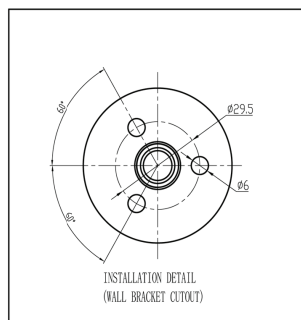
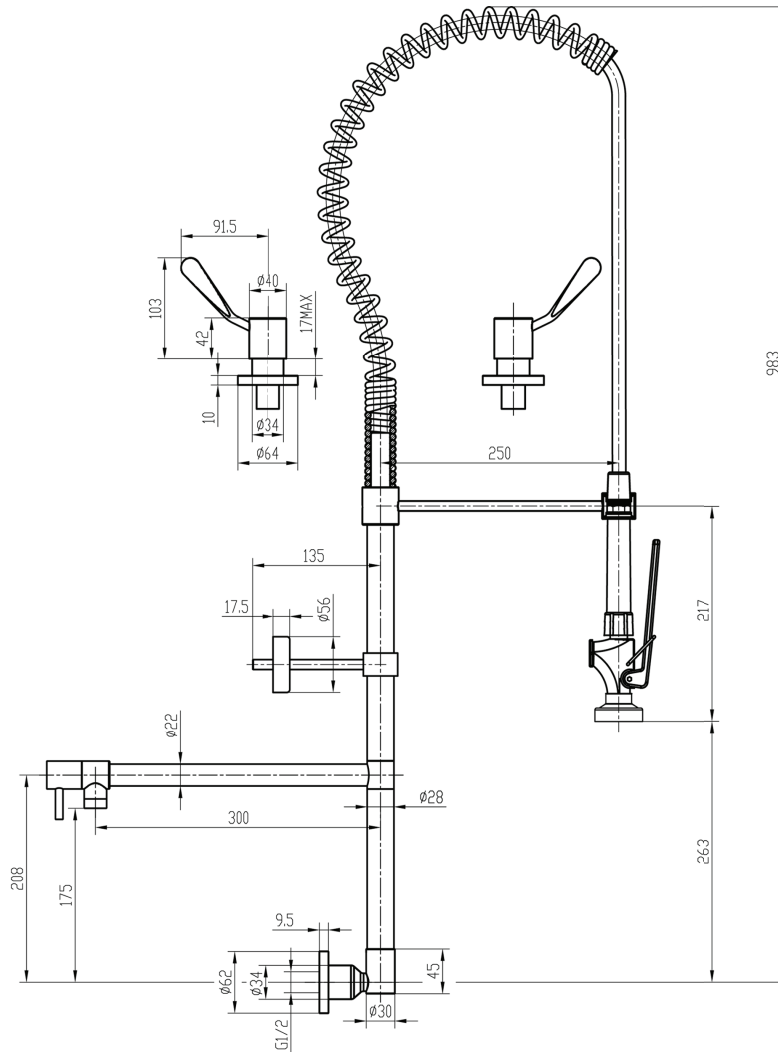
Technical Information



Materials	DZR Brass
Cartridge	Blade Spray: Stainless Steel Ceramic Disk / Self Closing
Cartridge size	15mm
Inlet	15mm (G 1/2" BSP)
Outlet	Blade Spray / Aerated Flow
Working Pressures	150kPa-500kPa
Recommended Working Pressures	350kPa
Working Temperatures	5°C - 80°C
Finish / Colour	Body: Chrome Plated
Finish / Colour 2	Trigger Handle: Plastic Coated

Product Certifications





All measurements are in millimetres and should be used as a guide only

Lever Mixing Set



JET1836W

Wall Mounted Exposed Mixing Set with 165mm Fixed Parallel Spout, Bucket Hook and 100mm Lever Handles

5 star 5.5 lpm

(Nominal Flow : 5.3 lpm)

Product Features



- No crevices to eliminate bacterial build-up
- Red, Yellow & Blue button indicators supplied
- Soft seal, easy action ceramic disk cartridge
- Allen key fixings for secure handles and outlets
- Concentric bases for easier installation
- Recommended for use in health and aged care projects

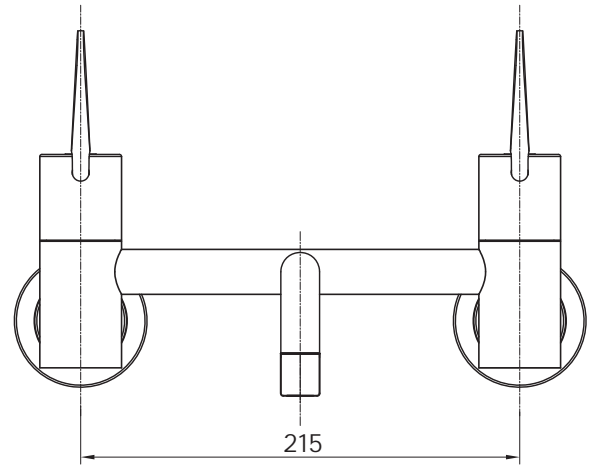
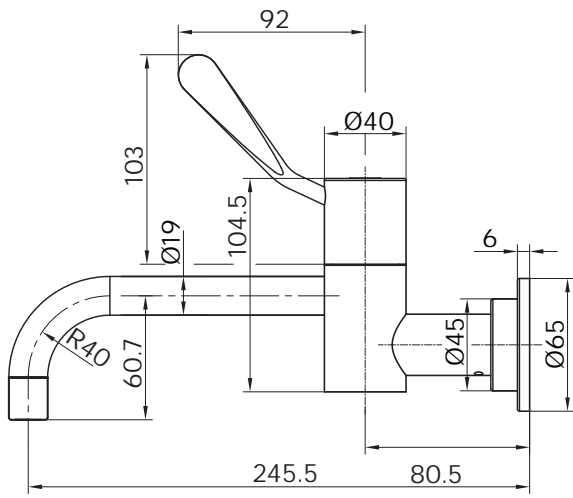
Technical Information



Materials	Body: DZR Brass Handle: Zinc Alloy
Cartridge	Ceramic Disk (Quarter Turn)
Cartridge Size	15mm
Inlet	15mm Female (G 1/2" BSP)
Outlet	Aerated Flow
Working Pressures	50kPa-500kPa
Recommended Working Pressures	350kPa
Working Temperatures	5°C - 80°C
Finish / Colour	Chrome Plated

Product Certifications





All measurements are in millimetres and should be used as a guide only



JET2500W

Stainless Steel Wall Mounted Electronic Tap with Laser Sensor and Battery & Mains Power

6-star 6.0 lpm
(Nominal Flow : 6.0 lpm)

Product Features



- Advanced laser sensor technology provides precision, consistency and with variable programming. This avoids nuisance triggering and activates on all skin tones
- 100% Lead-Free
- Sensor range is adjustable post installation without the use of tools
- IP67 rated control box enclosure houses the solenoid valve and waterproof connections
- Extension leads available for either power or sensor (not both simultaneously)
- Integral line strainer minimises fouling by debris
- Both battery and mains power options available (Configuration can be changed following installation)
- Factory-set runtime, sensitivity and hygiene flush options available
- Hygiene flush programming minimises the risk of Legionella from infrequently used fixtures
- All waterways are smooth bored for improved infection control
- Recommended for all types projects

Technical Information



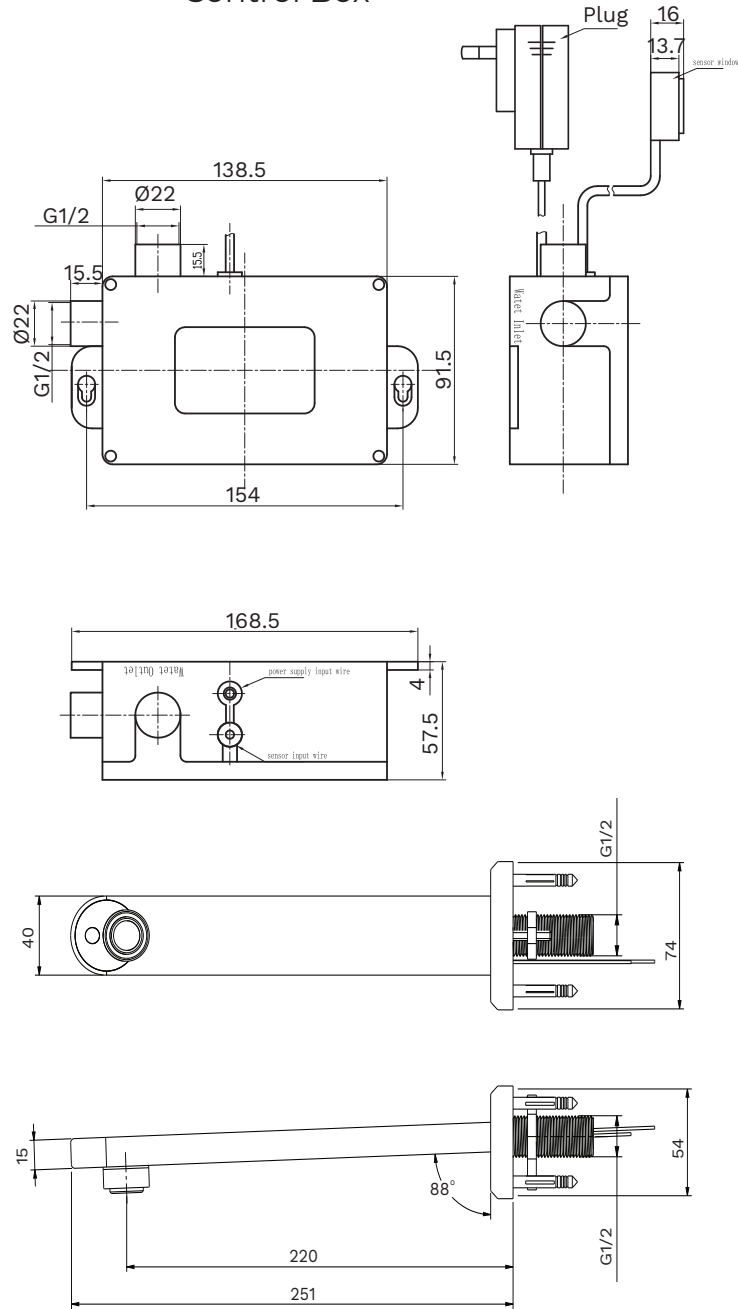
Materials	Body: Stainless Steel (SS316) Solenoid Valve: Engineering Grade Plastic
Cartridge	Solenoid Valve 6 Volt Solenoid 15m
Cartridge Size	15mm
Inlet	15mm Male (G 1/2" BSP)
Outlet	Laminar Flow
Run time	2 seconds (auto on / off)
Working Pressures	50kPa-500kPa
Recommended Working Pressures	350kPa
Working Temperatures	5°C - 50°C
Finish / Colour	Polished Stainless Steel

Product Certifications





Control Box



All measurements are in millimetres and should be used as a guide only

Single Lever Basin Mixer

JET3000D

Stainless Steel Deck Mounted
Gooseneck Swivel Sink Mixer with
Red & Blue Printed Handle - 4lpm

6 star 3.5 lpm
(Nominal Flow : 2.9 lpm)



Product Features



- Soft close operation
- Printed indicators eliminate crevices for bacteria build up
- Stainless steel can be rejuvenated at any time over the life of the product
- Environmentally friendly, no electroplating processes used throughout the product lifecycle
- Laminar flow to reduce aerosol at the outlet
- Additional flowrates available
- Recommended for commercial, health and hospitality projects

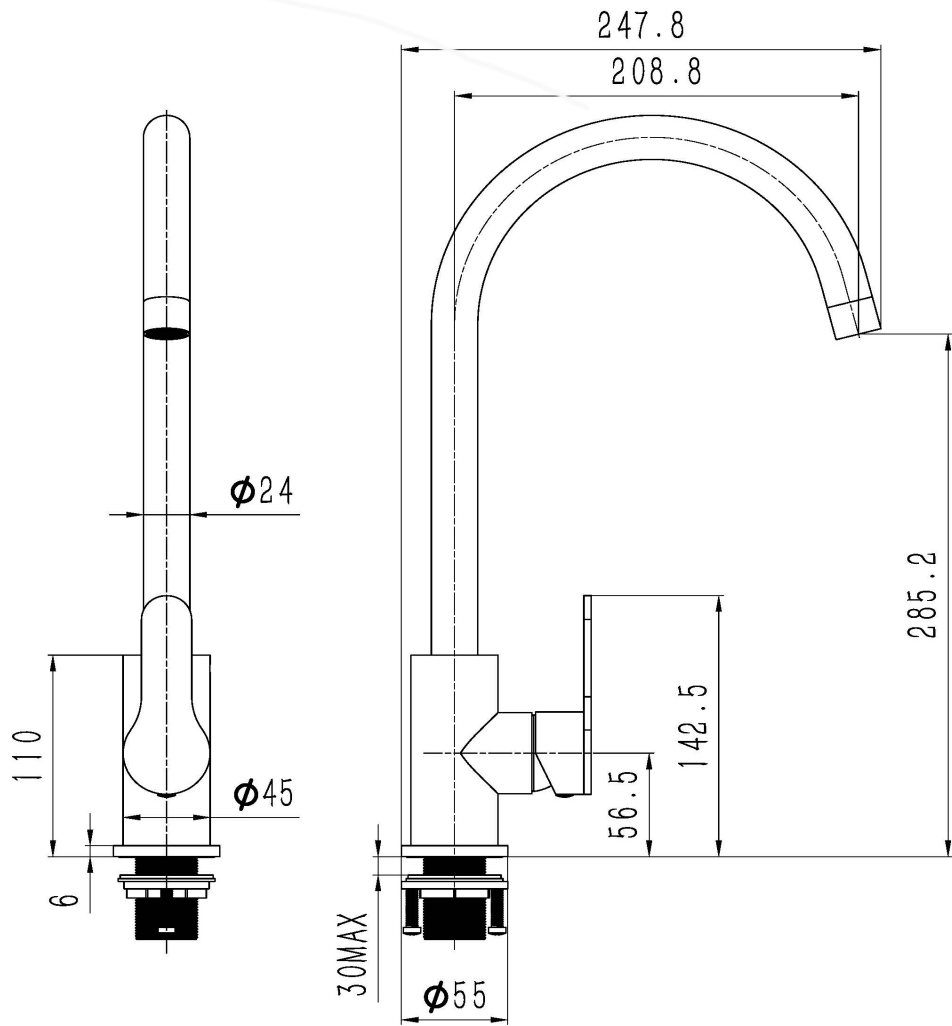
Technical Information



Materials	Body: Stainless Steel (SS304) Handle: Stainless Steel (SS304)
Cartridge	Ceramic Disk
Cartridge Size	35mm
Inlet	15mm Female Flexible Connections (G1/2" BSP)
Outlet	Laminar Flow
Working Pressures	50kPa-500kPa
Recommended Working Pressures	350kPa
Working Temperatures	5°C - 80°C
Finish / Colour	Brushed Stainless Steel

Product Certifications





All measurements are in millimetres and should be used as a guide only



Single Lever Sink Mixer

JET3150D

Deck Mounted Gooseneck Sink Mixer with Dual Handles

4 star 7.5 lpm
(Nominal Flow : 6.43 lpm)

Product Features



- Soft close operation
- Red, yellow & blue indicators provided
- Supplied with PEX inlet hoses
- Recommended for commercial, health and hospitality projects

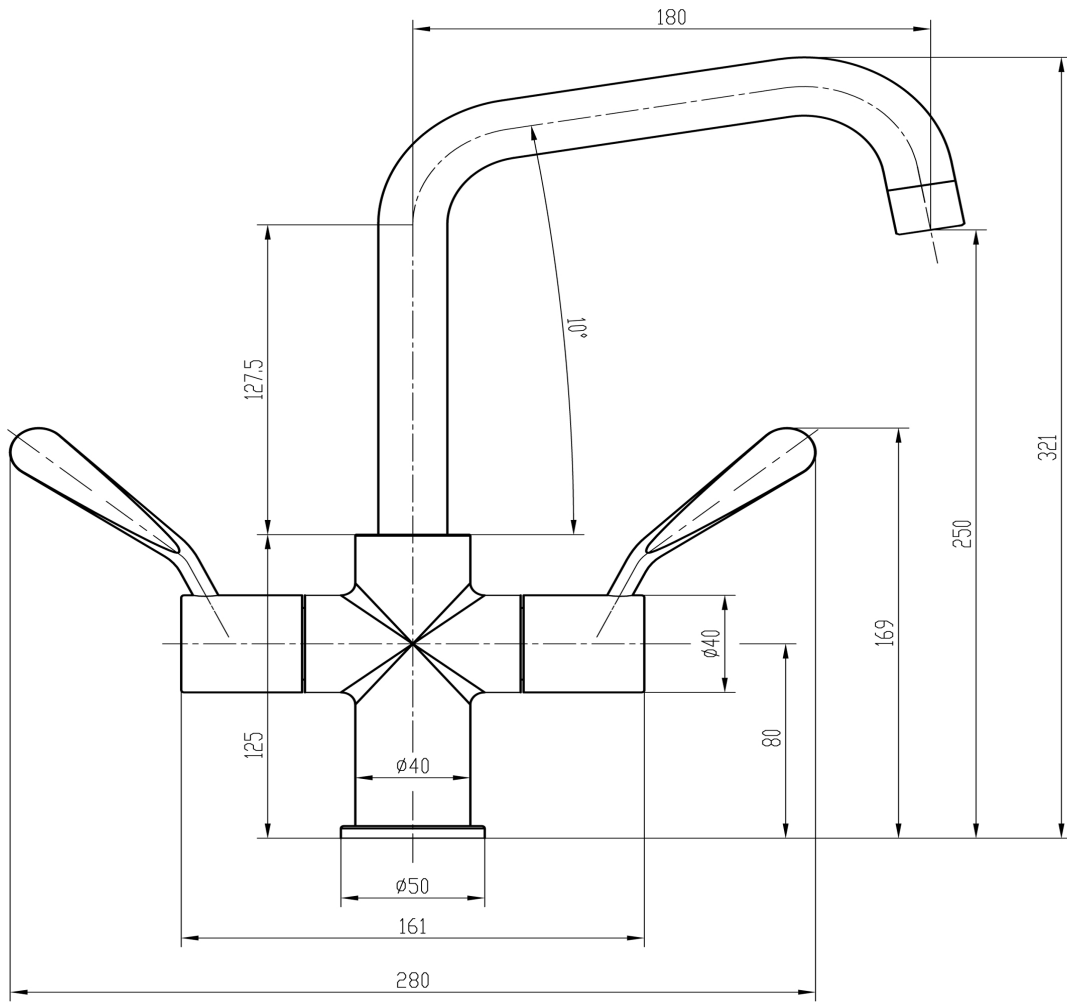
Technical Information



Materials	Body: DZR Brass Handle: Zinc Alloy
Cartridge	Ceramic Disk
Cartridge Size	15mm
Inlet	15mm Female Flexible Connections (G1/2" BSP)
Outlet	Aerated Flow
Working Pressures	150kPa-500kPa
Recommended Working Pressures	350kPa
Working Temperatures	5°C - 80°C
Finish / Colour	Satin Chrome Plated

Product Certifications





All measurements are in millimetres and should be used as a guide only

Lever Sink Set

JET3180DCB

Deck Mounted Sink Set with 180mm Square Swivel Spout and 100mm Lever Handles

4 star 7.5 lpm
(Nominal Flow : 7.25 lpm)



Product Features



- No crevices to eliminate bacterial build-up
- Red, Yellow & Blue button indicators supplied
- Soft seal, easy action ceramic disk cartridge
- Allen key fixings for secure handles and outlets
- Product customisation available
- Recommended for use in health and aged care projects

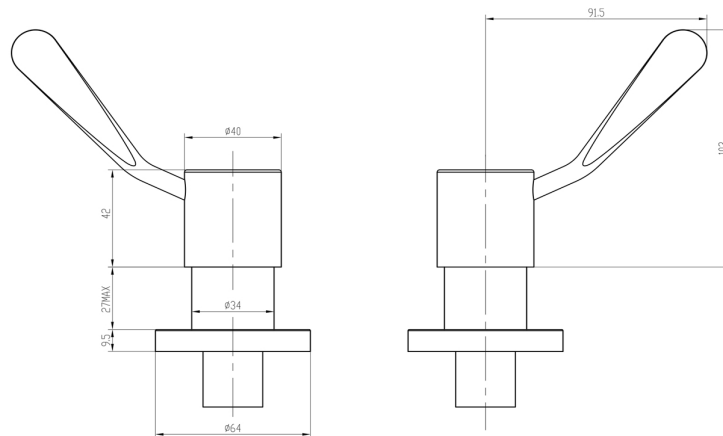
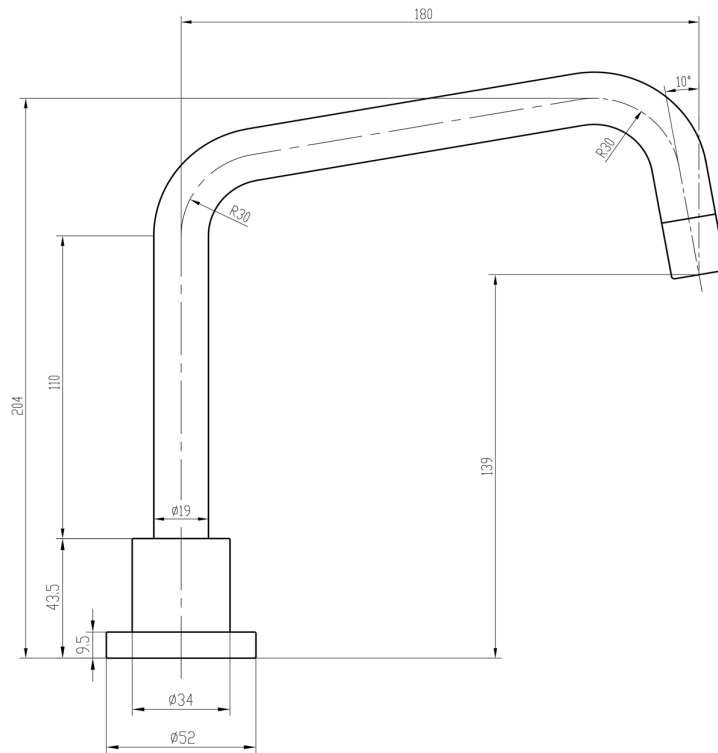
Technical Information



Materials	Body: DZR Brass Handle: Zinc Alloy
Cartridge	Ceramic Disk (Quarter Turn)
Cartridge Size	15mm
Inlet	15mm (G 1/2" BSP)
Outlet	Aerated Flow
Working Pressures	50kPa-500kPa
Recommended Working Pressures	350kPa
Working Temperatures	5°C - 80°C
Finish / Colour	Satin Chrome Plated

Product Certifications





All measurements are in millimetres and should be used as a guide only



Lever Sink Set

JET3300DCB

Deck Mounted Sink Set with 300mm Square Swivel Spout and 100mm Lever Handles

4 star 7.5 lpm
(Nominal Flow : 7.25 lpm)

Product Features



- No crevices to eliminate bacterial build-up
- Red, Yellow & Blue button indicators supplied
- Soft seal, easy action ceramic disk cartridge
- Allen key fixings for secure handles and outlets
- Recommended for use in health and aged care projects

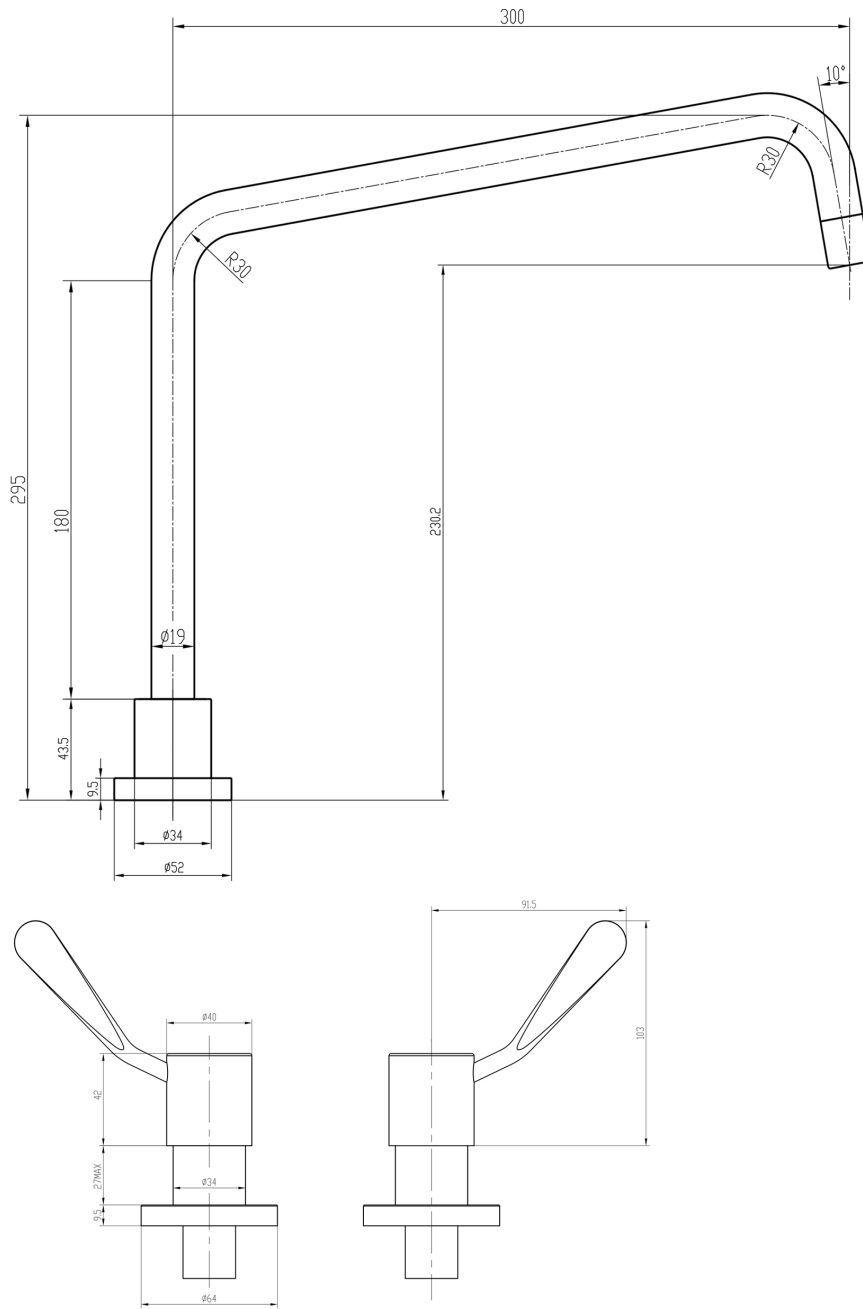
Technical Information



Materials	Body: DZR Brass Handle: Zinc Alloy
Cartridge	Ceramic Disk (Quarter Turn)
Cartridge Size	15mm
Inlet	15mm (G 1/2" BSP)
Outlet	Aerated Flow
Working Pressures	50kPa-500kPa
Recommended Working Pressures	350kPa
Working Temperatures	5°C - 80°C
Finish / Colour	Satin Chrome Plated

Product Certifications





All measurements are in millimetres and should be used as a guide only

Lever Mixing Set

JET3300WCB

Wall Mounted Concealed Mixing Set
with 300mm Square Swivel Spout
and 100mm Lever Handles

4 star 7.5 lpm
(Nominal Flow : 7.37 lpm)



Product Features



- No crevices to eliminate bacterial build-up
- Red, Yellow & Blue button indicators supplied
- Soft seal, easy action ceramic disk cartridge
- Allen key fixings for secure handles and outlets
- Recommended for use in health and aged care projects

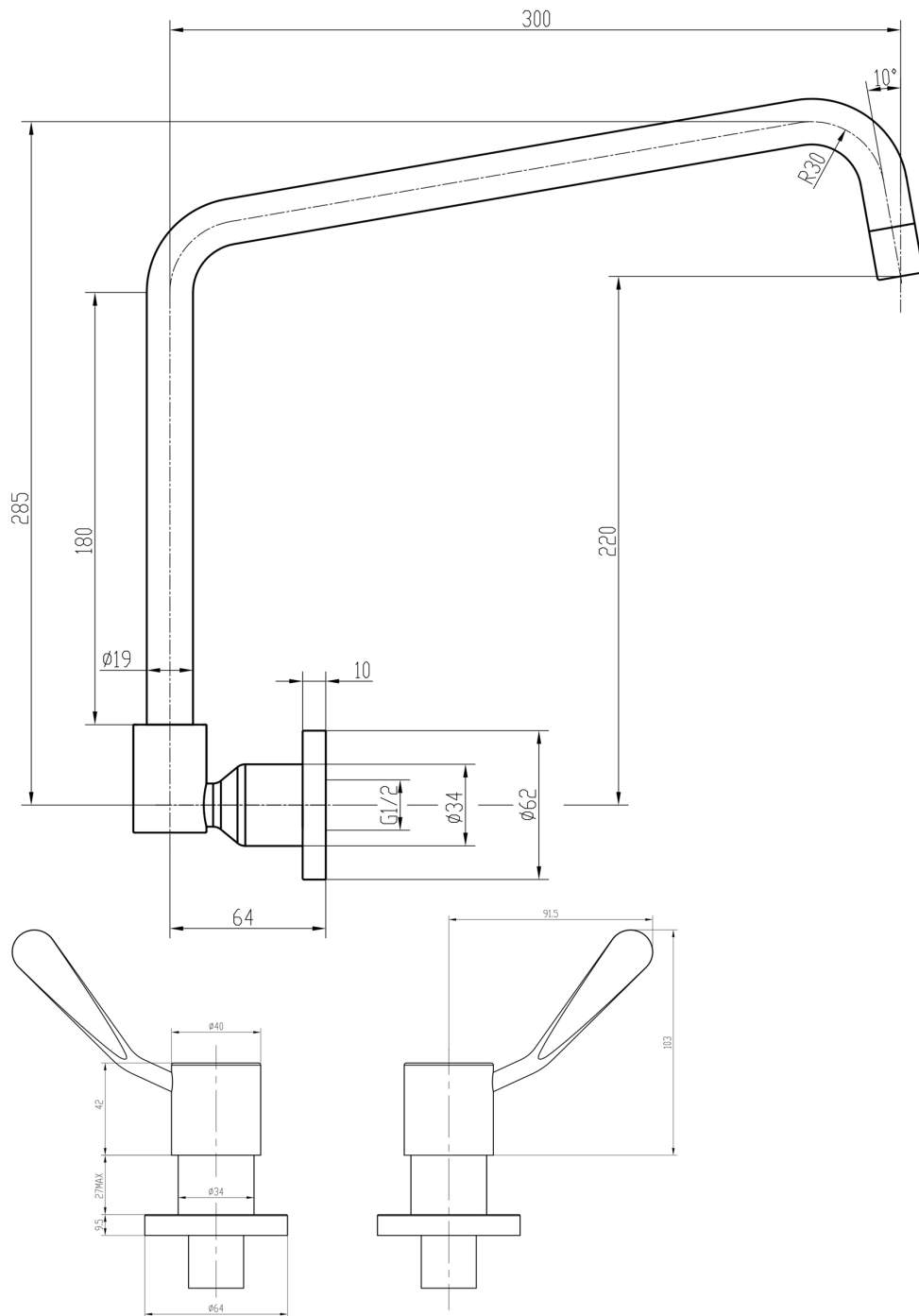
Technical Information



Materials	Body: DZR Brass Handle: Zinc Alloy
Cartridge	Ceramic Disk (Quarter Turn)
Cartridge Size	15mm
Inlet	15mm (G 1/2" BSP)
Outlet	Aerated Flow
Working Pressures	50kPa-500kPa
Recommended Working Pressures	350kPa
Working Temperatures	5°C - 80°C
Finish / Colour	Satin Chrome Plated

Product Certifications





All measurements are in millimetres and should be used as a guide only



JET4001D

Deck Mounted Right Angle Electronic Tap with Infrared Sensor and Battery & Mains Power

6-star 6.0 lpm
(Nominal Flow : 6.0 lpm)

Product Features



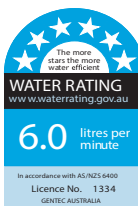
- Digital sensor technology; Sensor range, run timing and hygiene flush programming are adjustable post installation with the use of remote controls (sold separately)
- Extension leads available for both power and sensor
- IP67 rated control box houses the solenoid valve and waterproof connection
- Integral strainer minimises fouling by debris
- Both battery and mains power options available (Configuration can be changed following installation)
- Hygiene flush programming the risk of Legionella from infrequently used fixtures
- Recommended for all types of projects
- Product customisation available

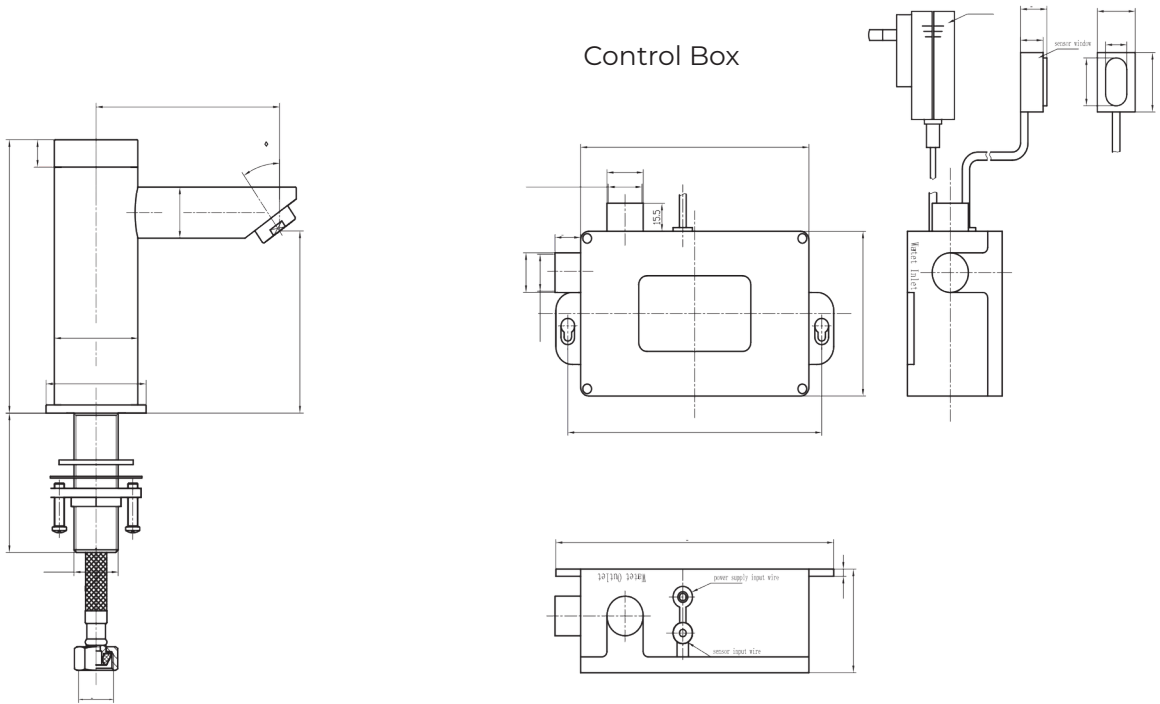
Technical Information



Materials Engineering	Solenoid Valve: Grade Plastic Body: DZR Brass
Cartridge	Solenoid Valve
Cartridge Size	15mm
Inlet	15mm Female Flexible Connections (G1/2" BSP)
Outlet	Aerated Flow
Run time	2 seconds (auto on / off)
Working Pressures	50kPa-500kPa
Recommended Working Pressures	350kPa
Working Temperatures	5°C - 50°C
Finish / Colour	Chrome Plated
Warranty	2years

Product Certifications





All measurements are in millimetres and should be used as a guide only



Single Lever Basin Mixer

JET5100D

Stainless Steel Deck Mounted Basin Mixer with Red & Blue Printed Handle - 4lpm

6 star 3.5 lpm
(Nominal Flow : 3.03 lpm)

Product Features



- Soft close operation
- Printed indicators eliminate crevices for bacteria build up
- Stainless steel can be rejuvenated at any time over the life of the product
- Environmentally friendly, no electroplating processes used throughout the product lifecycle
- Laminar flow to reduce aerosol at the outlet
- Recommended for commercial, health and hospitality projects
- Lead free

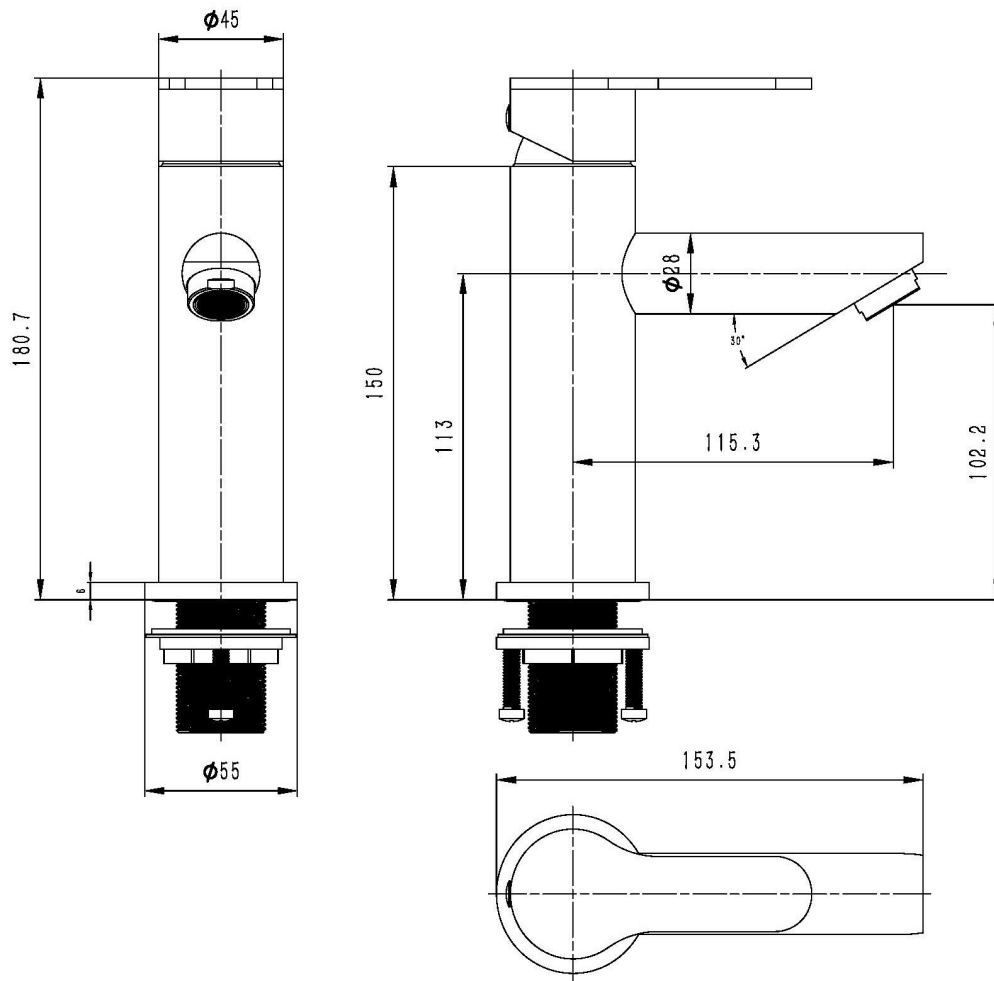
Technical Information



Materials	Body: Stainless Steel (SS304) Handle: Stainless Steel (SS304)
Cartridge	Ceramic Disk
Cartridge Size	35mm
Inlet	15 mm Female Flexible Connections (G1/2" BSP)
Outlet	Laminar Flow
Working Pressures	50kPa-500kPa
Recommended Working Pressures	350kPa
Working Temperatures	5°C - 80°C
Finish / Colour	Brushed Stainless Steel
Warranty	5 years*

Product Certifications





All measurements are in millimetres and should be used as a guide only

Single Lever Basin Mixer



JET5200D

Stainless Steel Deck Mounted Low Line Swivel Sink Mixer with Red & Blue Printed Handle - 4lpm

6 star 3.5 lpm
(Nominal Flow : 3.05 lpm)

Product Features



- Soft close operation
- Printed indicators eliminate crevices for bacteria build up
- Stainless steel can be rejuvenated at any time over the life of the product
- Environmentally friendly, no electroplating processes used throughout the product lifecycle
- Laminar flow to reduce aerosol at the outlet
- Additional flow rates available
- Recommended for commercial, health and hospitality projects
- Product customisation available

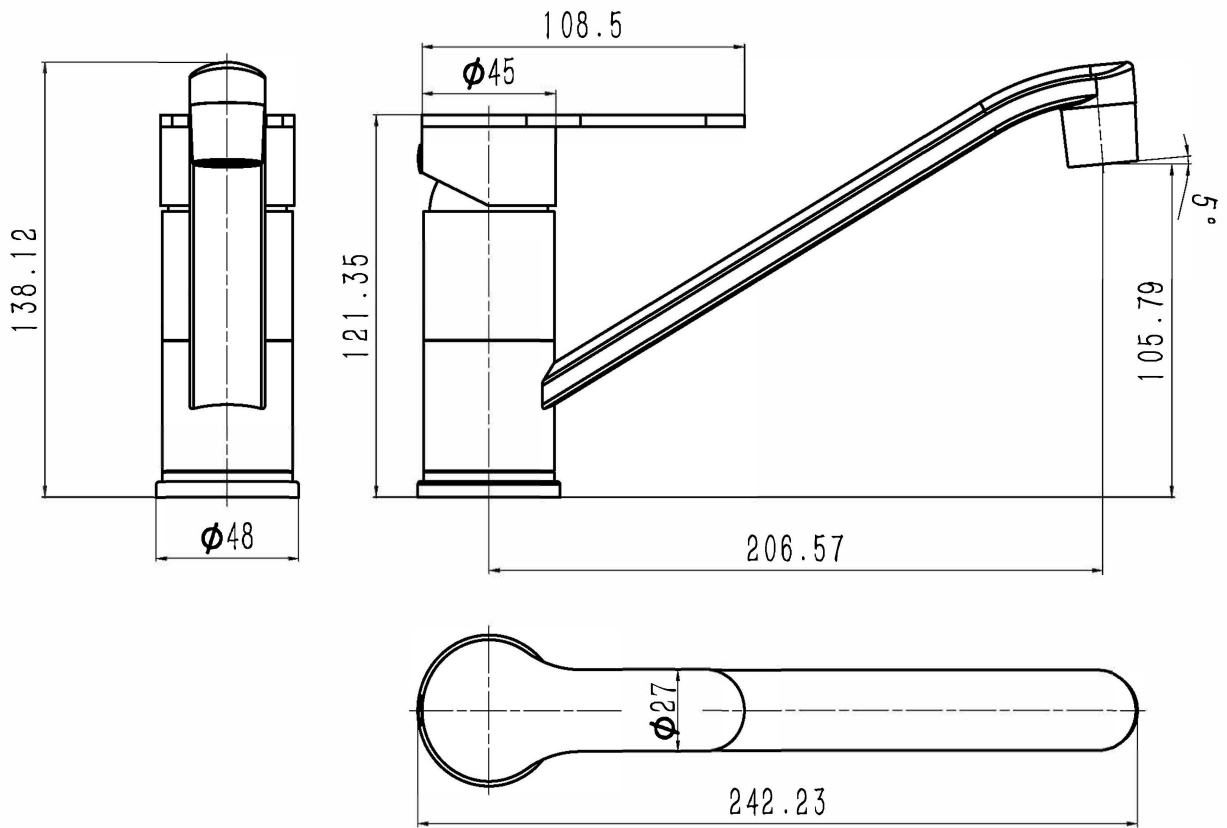
Technical Information



Materials	Body: Stainless Steel (SS304) Handle: Stainless Steel (SS304)
Cartridge	Ceramic Disk
Cartridge Size	35mm
Inlet	15 mm Female Flexible Connections (G1/2" BSP)
Outlet	Laminar Flow
Working Pressures	50kPa-500kPa
Recommended Working Pressures	350kPa
Working Temperatures	5°C - 80°C
Finish / Colour	Brushed Stainless Steel
Warranty	5 years*

Product Certifications



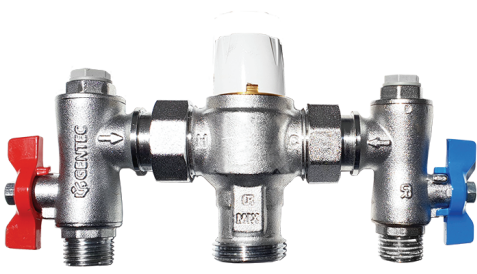


All measurements are in millimetres and should be used as a guide only

Thermostatic Mixing Valve

JET6000

NSW Health Approved Thermostatic Mixing Valve with Strainers, Isolation and Non Return Valves



Product Features



- NSW Health approved
- In-built hygiene flush
- Can support up to 6 connections (depending on flow rate)
- High performing / high flow rates - 54lpm at 500kpa
- Easy, low cost maintenance requirements
- Removable strainers and isolation points in the hot and cold sections allow for easy maintenance
- Recommended for any project

Technical Information



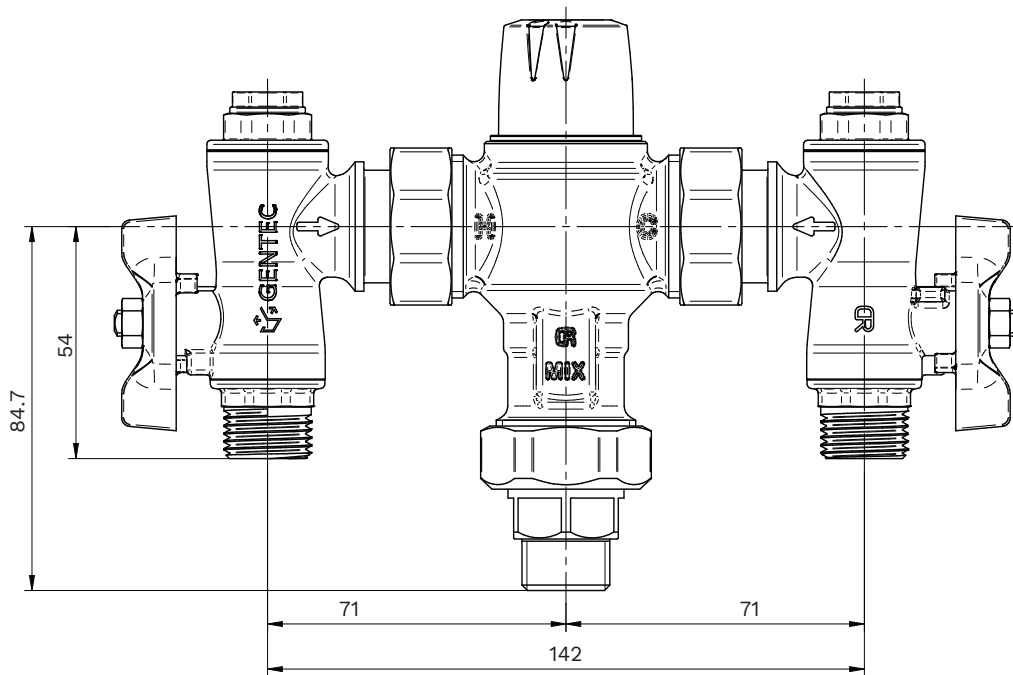
Materials	DZR Brass
Cartridge	Mechanical / Wax Element
Cartridge Size	N/A
Inlet	15mm Male (G 1/2" BSP)
Outlet	20mm Male (G 3/4" BSP) - 15mm Male (G 1/2" BSP) Adaptor provided
Working Pressures	50kPa-500kPa
Recommended Working Pressures	350kPa
Minimum Outlet Flow Rate	4lpm
Finish / Colour	Chrome Plated
Warranty	5 years*
Mixed Outlet Temperature	35°C - 50°C
Hot Inlet Temperature	Min 55°C - Max 80°C
Cold Inlet Temperature: Min	5°C - Max 30°C
Max Differential Inlet Pressure	10:1 Ratio

Product Certifications



WaterMark

AS 4032.1-2005
Licence No.WM 74512
ApprovalMark



All measurements are in millimetres and should be used as a guide only



Timed Flow Pillar Tap

JET7500D

Stainless Steel Deck Mounted Angled Single Temperature Timed Flow Pillar Tap

6-star 4 lpm
(Nominal Flow : 3.45 lpm)

Product Features



- Lead Free
- Soft-close, hydraulically operated time flow means that it's suitable for all markets
- Designed to be durable and anti-vandal. Suitable for use in public areas
- One service kit for easy maintenance
- Supplied with inlet strainer and flow controller
- Red, Yellow & Blue button indicators supplied
- Run time is easily changeable post installation
- Recommended for commercial and public projects
- Product customisation available

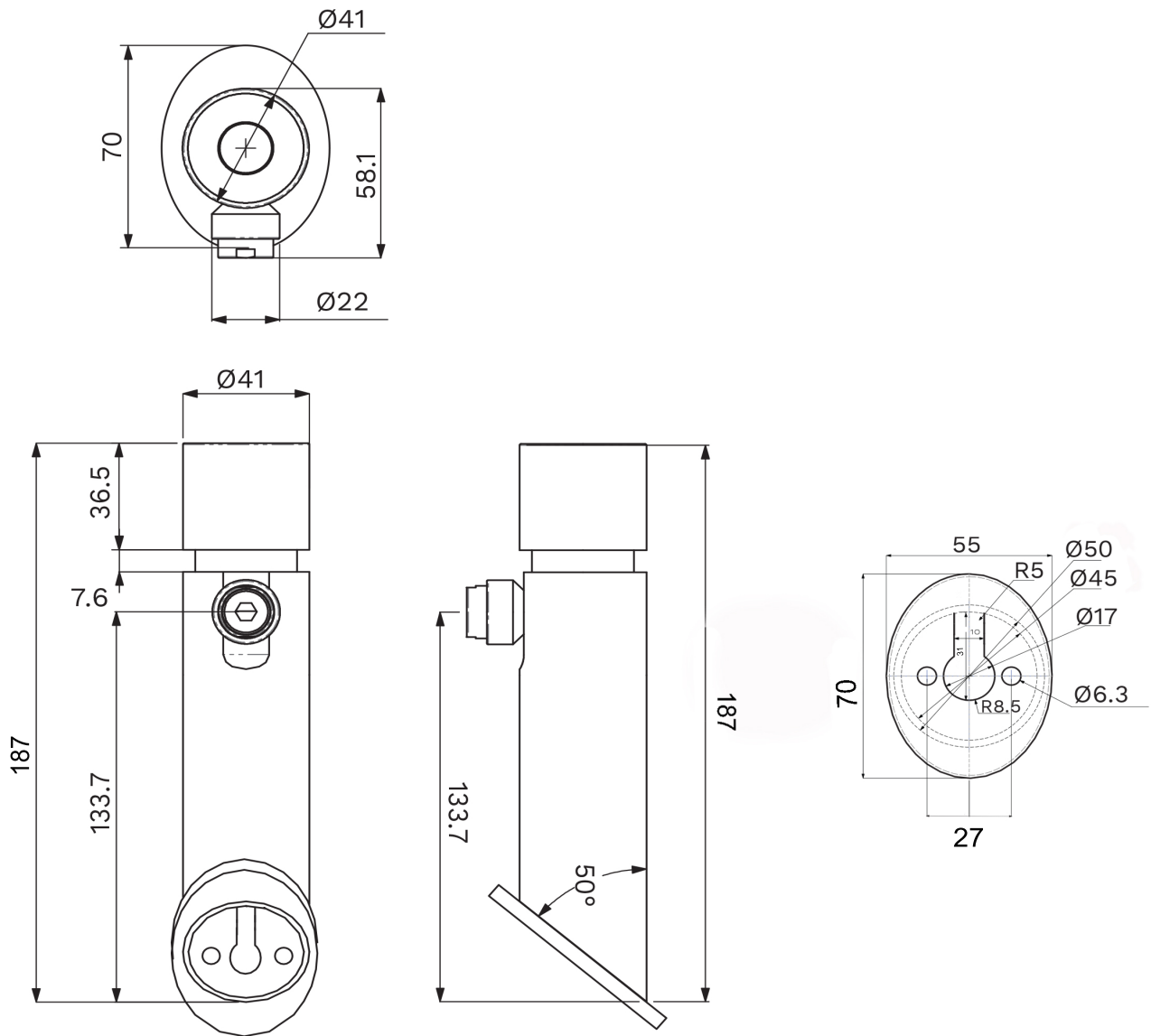
Product Certifications



Technical Information



Materials	Stainless Steel (SS316)
Cartridge	Timed Flow (Hydraulic)
Cartridge Size	15 mm
Inlet	15 mm Female Flexible Connections (G1/2" BSP)
Outlet	Laminar Flow
Run time	0-20 (+/-5) seconds (Adjustable)
Working Pressures	150kPa-500kPa
Recommended Working Pressures	350kPa
Working Temperatures	5°C - 50°C
Finish / Colour	Polished Stainless Steel
Warranty	10 years*



All measurements are in millimetres and should be used as a guide only

JET8000

Paper Towel Dispenser

Description

Stainless Steel Paper Towel Dispenser

Technical Information

Materials	Grade 304 Stainless Steel
Lockable	Yes
Colour	Satin
Servicing	Regular Maintenance
Warranty	2 Years*

Product Features

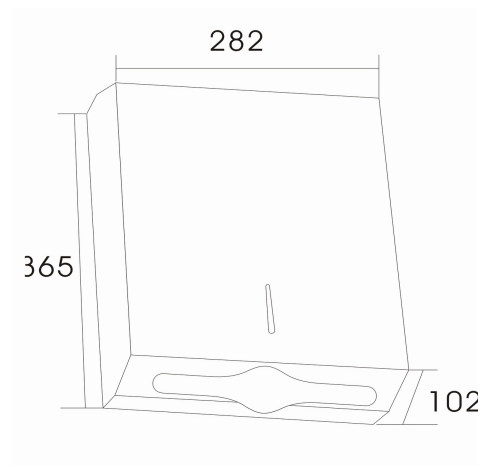
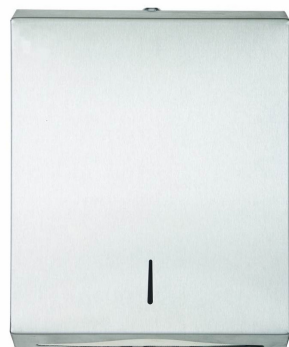
- Durable, heavy-duty product
- Complete range of washroom accessories
- Recommended for any Commercial project

Product Information

Product Standards and Certifications



Technical Drawings



All measurements are in millimeters and are to be used as a guide only

JET7000

Soap Dispenser

Stainless Steel Hand Operated Soap Dispenser

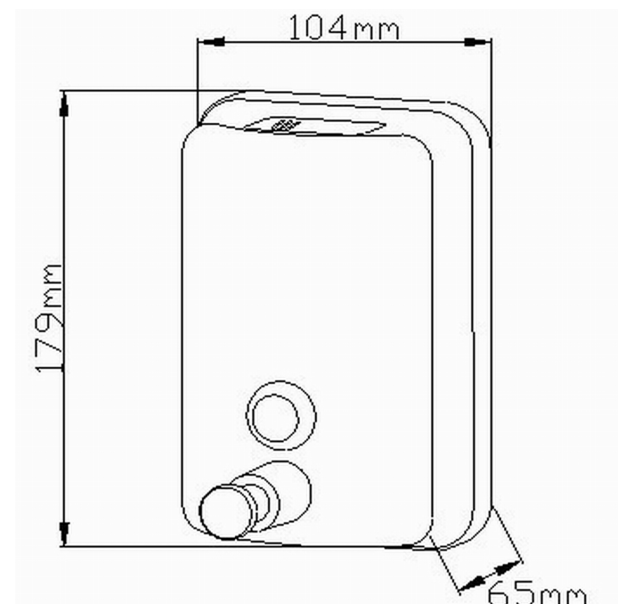
Technical Information:

Material	Grade 304 Stainless Steel
Lockable	Yes
Colour	Satin
Servicing	Regular Maintenance
Warranty	2 Years*
Soap Viscosity	Between 1-3500mPa.s (cP) <i>Suggested viscosity is 1800Pa.s (cP)</i>



Features:

- Durable, heavy-duty product
- Complete range of washroom accessories
- Recommended for any Commercial project



All measurements are in millimetres and are to be used as a guide only.
*Subject to terms and conditions