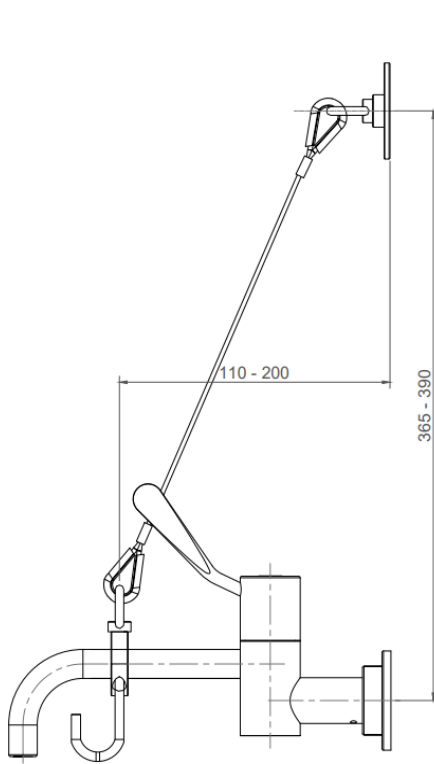
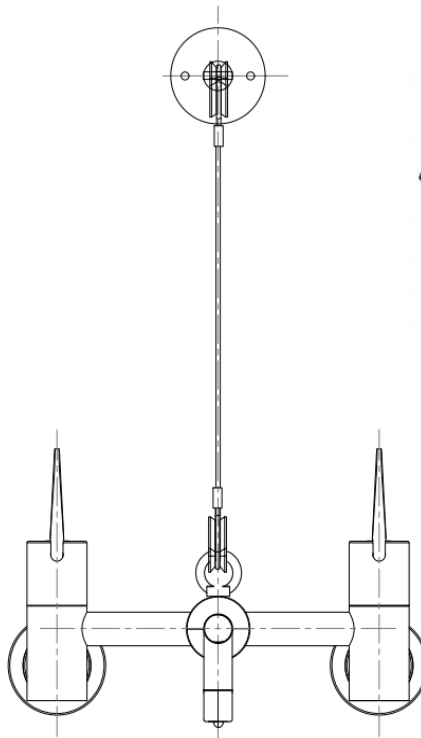




FIVE YEAR ON-SITE WARRANTY



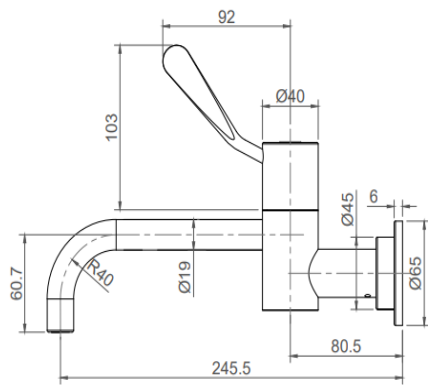
SIDE VIEW
NTS



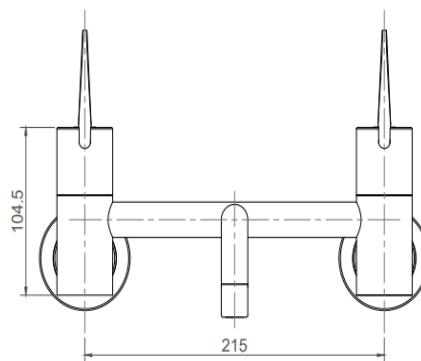
FRONT VIEW



CLEANERS SINK FAUCER



SIDE VIEW
NTS

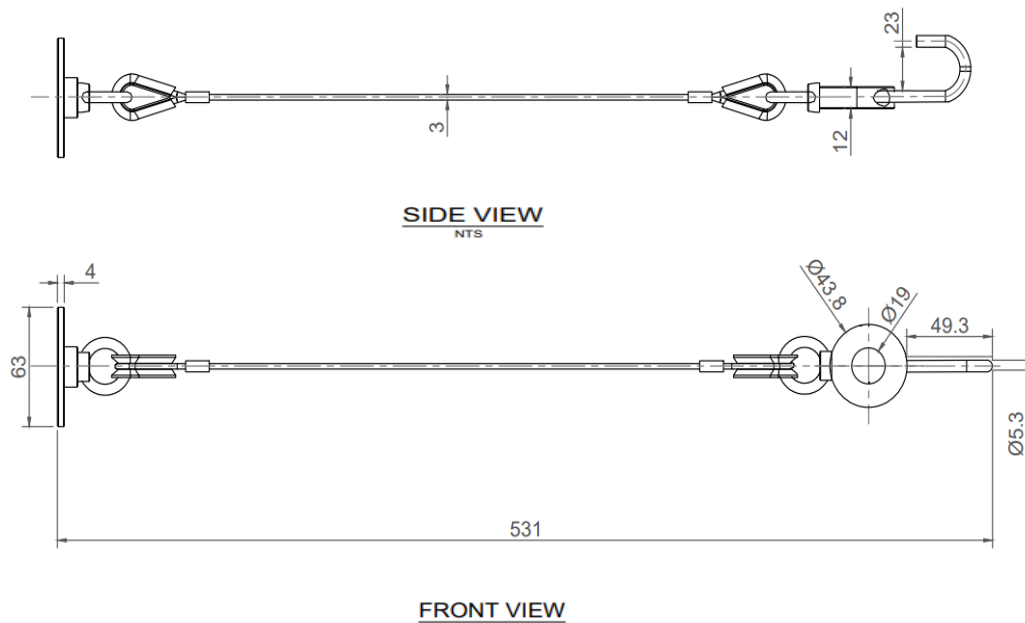


FRONT VIEW



FIVE YEAR ON-SITE WARRANTY

CABLE SUPPORT SPROUT AND BRACKET



FEATURES INCLUDE:

Quality Wall mounted Cleaners Sink model with cable supported Sprout and Bucket Hook

4 Star rated

Operating water pressure Min 50kPA, Max 350kPA