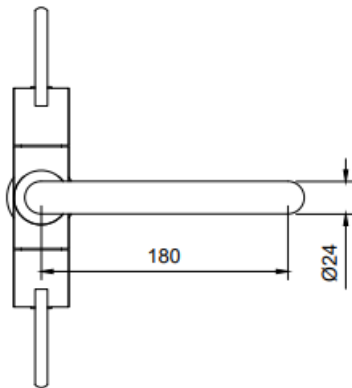
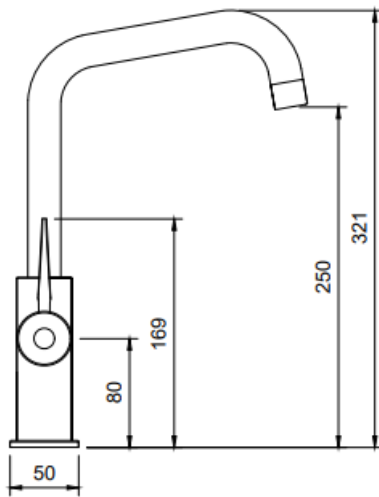




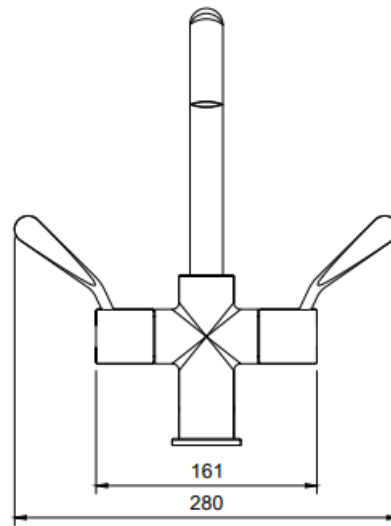
FIVE YEAR ON-SITE WARRANTY



TOP VIEW



SIDE VIEW
NTS



FRONT VIEW

FEATURES INCLUDE:

- Deck Mounted 1800mm Swing Faucet

- 100mm lever operation

- One hole mount

- Complete with flexible fittings

- Ceramic cartridges

- 1/4 turn levers

- Rugged construction and high quality finish

- 4 Star rated

- Operating water pressure Min 50kPA, Max 350kPA

The **Jetstream Plumbing** range of quality tapware and prerinse units heralds a new era of reliable, quality tapware to the Australian market with an industry leading FIVE YEAR on-site parts and labour warranty* designed by professionals with the features you would expect for your kitchen.