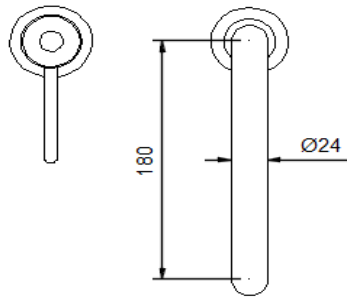
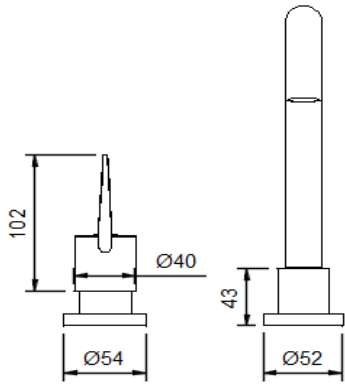




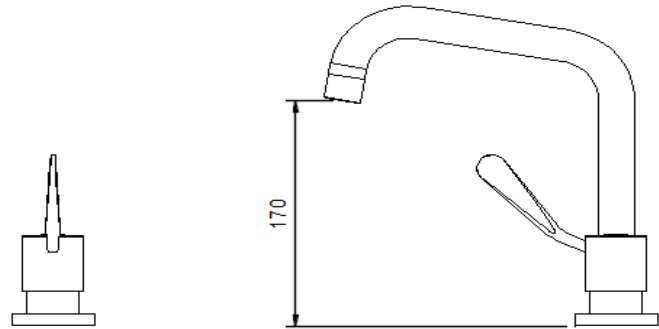
**FIVE YEAR ON-SITE WARRANTY**



TOP VIEW



FRONT VIEW  
NTS



SIDE VIEW

**FEATURES INCLUDE:**

- Deck Mounted 180 mm Swing Faucet,

---

- Lever operation

---

- Concealed breech

---

- Three hole mount

---

- Ceramic cartridges

---

- 1/4 turn 100mm levers

---

- Rugged construction and high quality finish

---

- 4 Star rated

---

- Operating water pressure Min 50kPA, Max 350kPA

---

The **Jetstream Plumbing** range of quality tapware and perinse units heralds a new era of reliable, quality tapware to the Australian market with an industry leading FIVE YEAR on-site parts and labour warranty\* designed by professionals with the features you would expect for your kitchen.