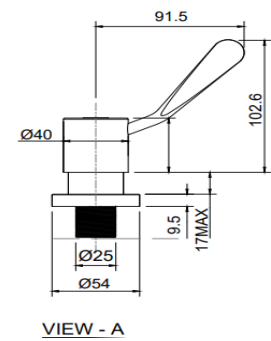
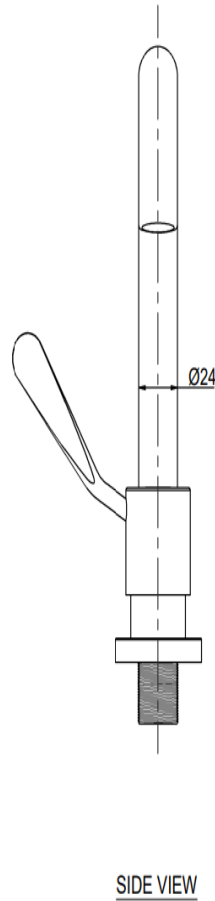
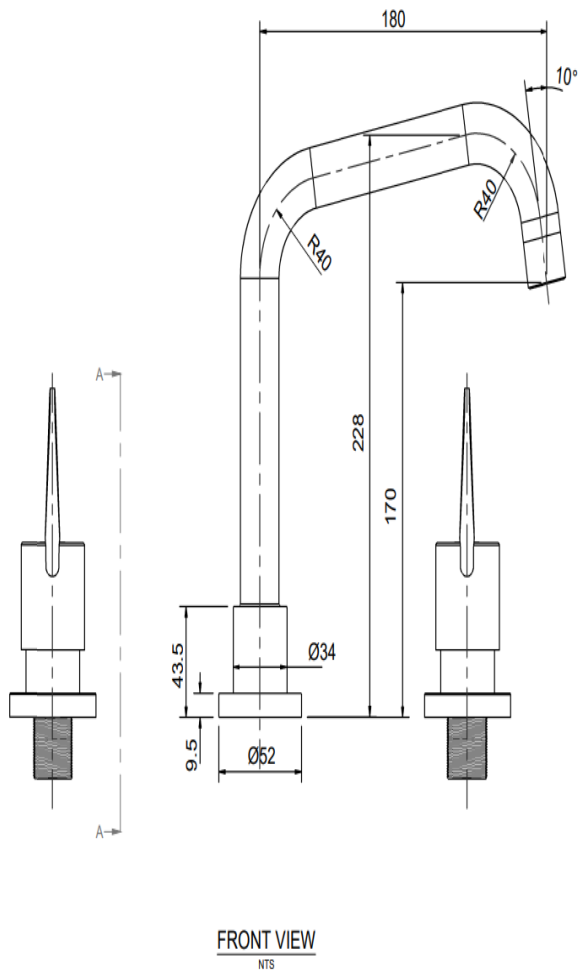




**FIVE YEAR ON-SITE WARRANTY**



**FEATURES INCLUDE:**

- Deck Mounted 180 mm Swing Faucet,
- Lever operation
- Concealed breech
- Three hole mount
- Ceramic cartridges
- 1/4 turn 100mm levers
- Rugged construction and high quality finish
- 4 Star rated
- Operating water pressure Min 50kPA, Max 350kPA