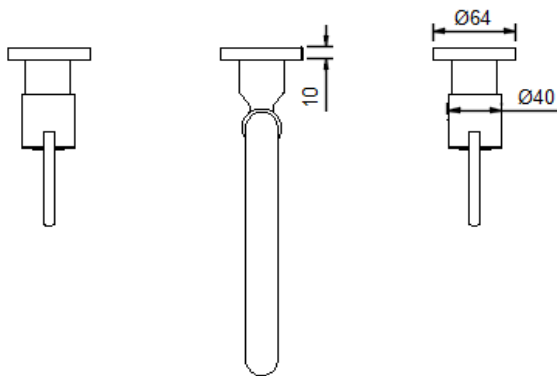
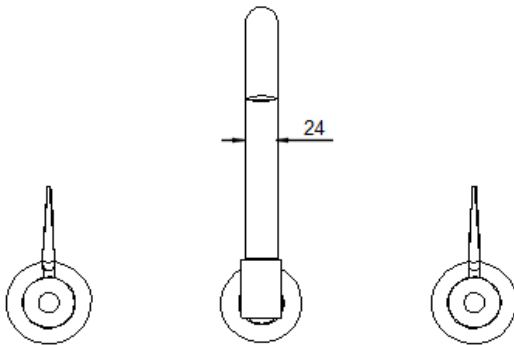




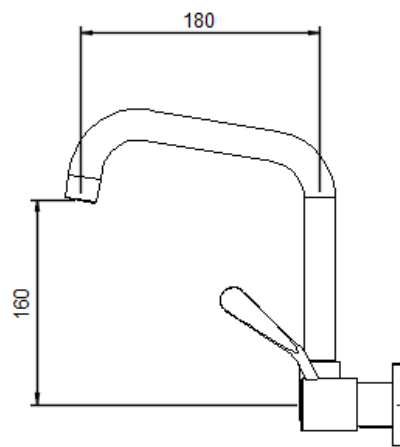
FIVE YEAR ON-SITE WARRANTY



TOP VIEW



FRONT VIEW
NTS



SIDE VIEW

FEATURES INCLUDE:

- Deck Mounted 180 mm Swing Faucet,

- Lever operation

- Concealed breech

- Three hole mount

- Ceramic cartridges

- 1/4 turn 100mm levers

- Rugged construction and high quality finish

- 4 Star rated

- Operating water pressure Min 50kPA, Max 350kPA

The **Jetstream Plumbing** range of quality tapware and prerinse units heralds a new era of reliable, quality tapware to the Australian market with an industry leading **FIVE YEAR** on-site parts and labour warranty* designed by professionals with the features you would expect for your kitchen.