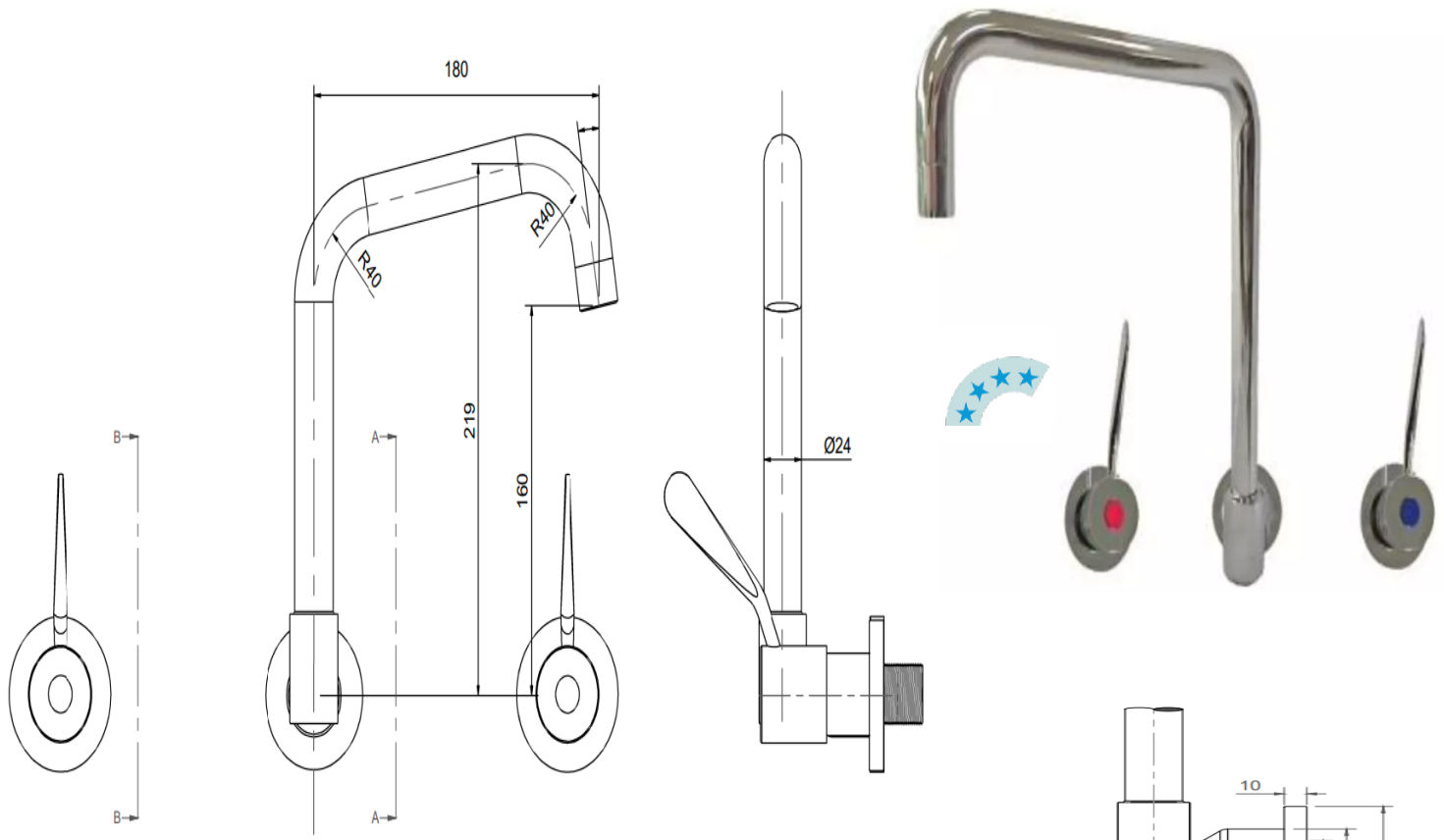


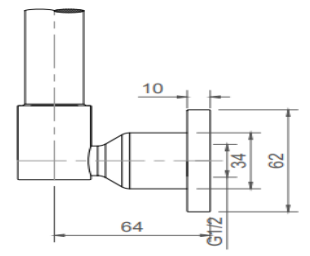


FIVE YEAR ON-SITE WARRANTY

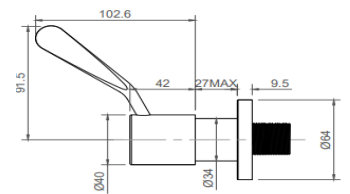


FRONT VIEW
NTS

SIDE VIEW



VIEW - A



VIEW - B

FEATURES INCLUDE:

- Deck Mounted 180 mm Swing Faucet,

- Lever operation

- Concealed breech

- Three hole mount

- Ceramic cartridges

- 1/4 turn 100mm levers

- Rugged construction and high quality finish

- 4 Star rated

- Operating water pressure Min 50kPA, Max 350kPA
