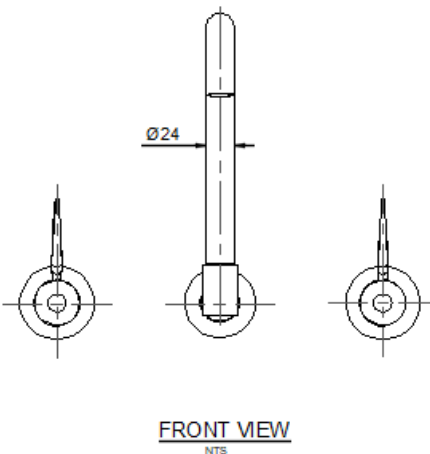
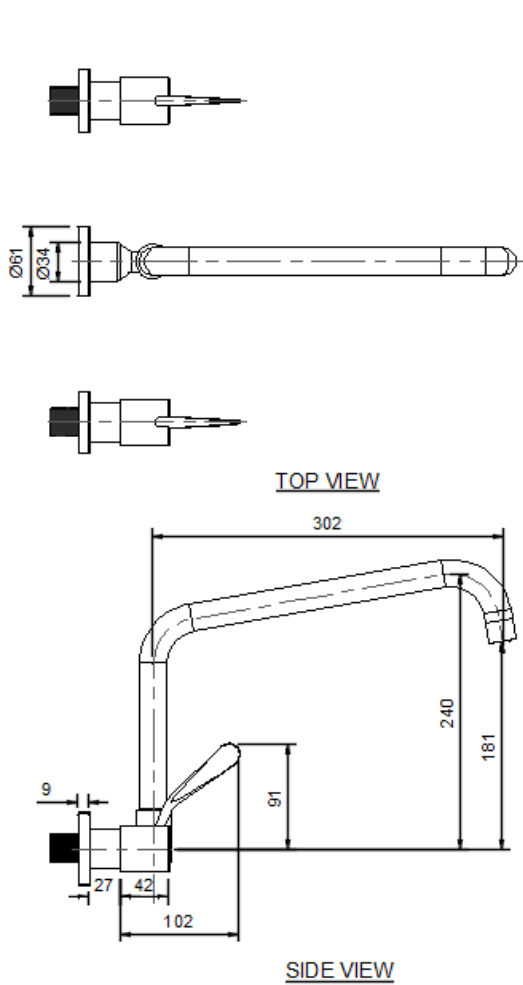




FIVE YEAR ON-SITE WARRANTY



FEATURES INCLUDE:

- Deck Mounted 300mm Swing Faucet,
- Lever operation
- Concealed breech
- Three hole mount
- Ceramic cartridges
- 1/4 turn 100mm levers
- Rugged construction and high quality finish
- 4 Star rated
- Operating water pressure Min 50kPA, Max 350kPA

The **Jetstream Plumbing** range of quality tapware and prerinse units heralds a new era of reliable, quality tapware to the Australian market with an industry leading FIVE YEAR on-site parts and labour warranty* designed by professionals with the features you would expect for your kitchen.