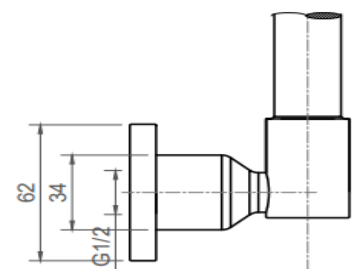
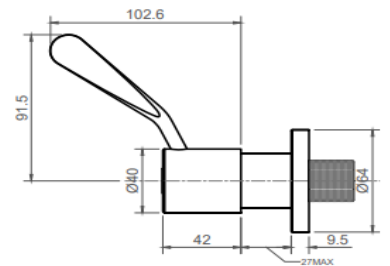
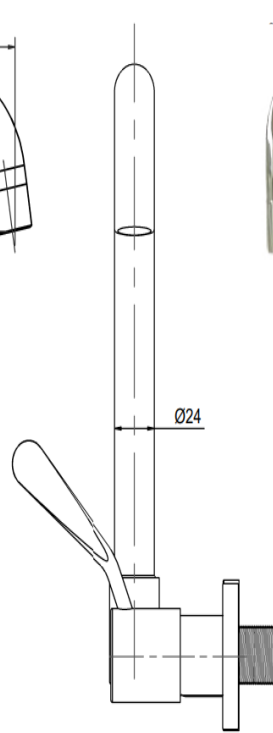
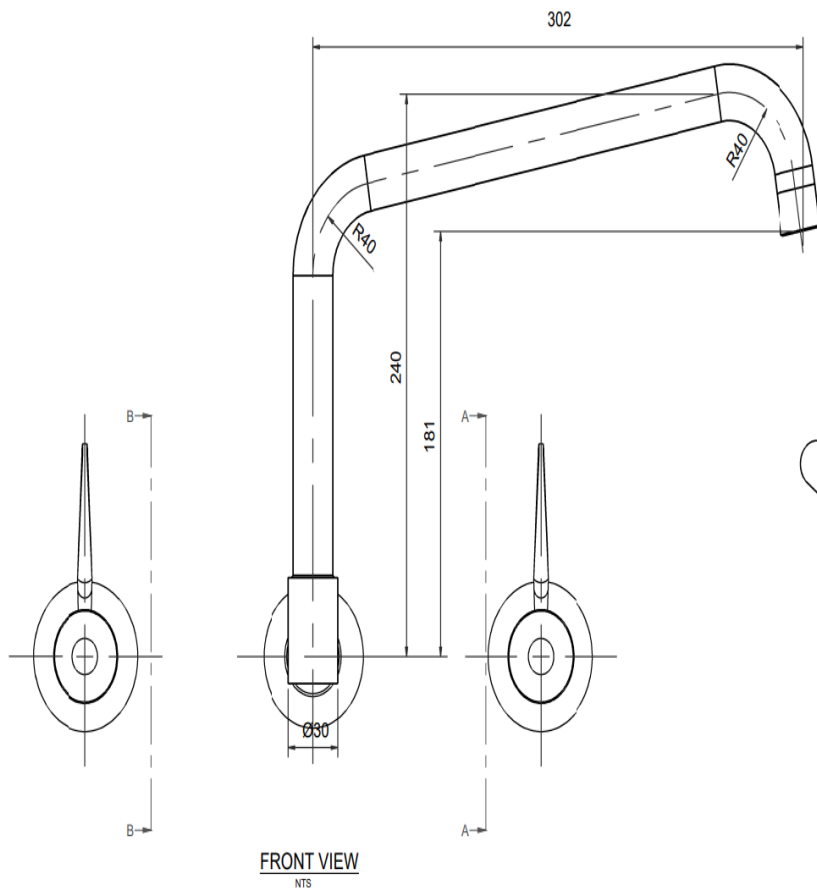




FIVE YEAR ON-SITE WARRANTY



FEATURES INCLUDE:

Deck Mounted 300mm Swing Faucet,

Lever operation

Concealed breech

Three hole mount

Ceramic cartridges

1/4 turn 100mm levers

Rugged construction and high quality finish

4 Star rated

Operating water pressure Min 50kPA, Max 350kPA