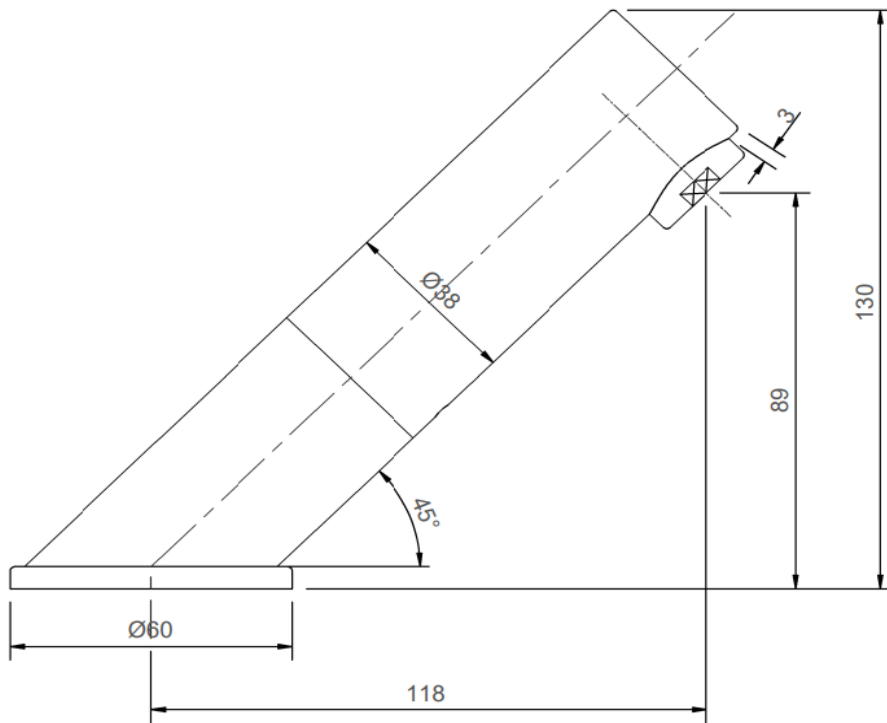




FIVE YEAR ON-SITE WARRANTY



SICE VIEW
NTS

FEATURES INCLUDE:

- Modern Deck Mounted hands Free Sensor Tap

- Single hole mount

- Complete with Flexible fittings

- Downwards facing sensor

- 6 Star rating

- Main and battery backup

- Includes one connection tail and hardware

- Stop taps recommended (not supplied)

- Operating water pressure Min 50kPA, Max 350kPA
