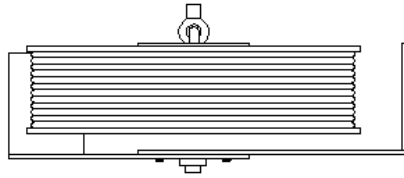
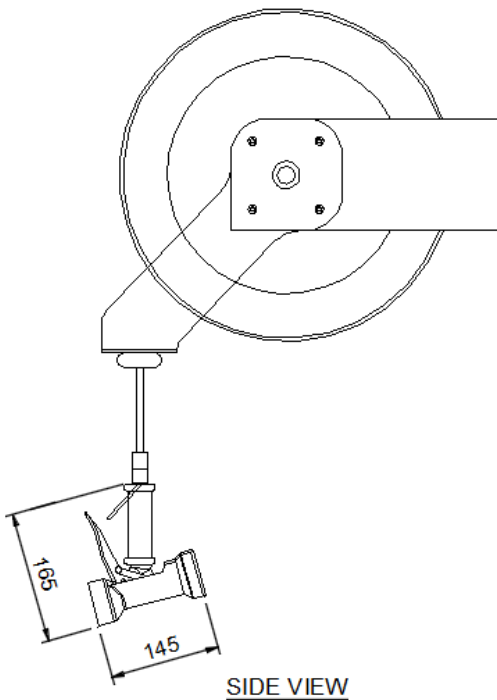




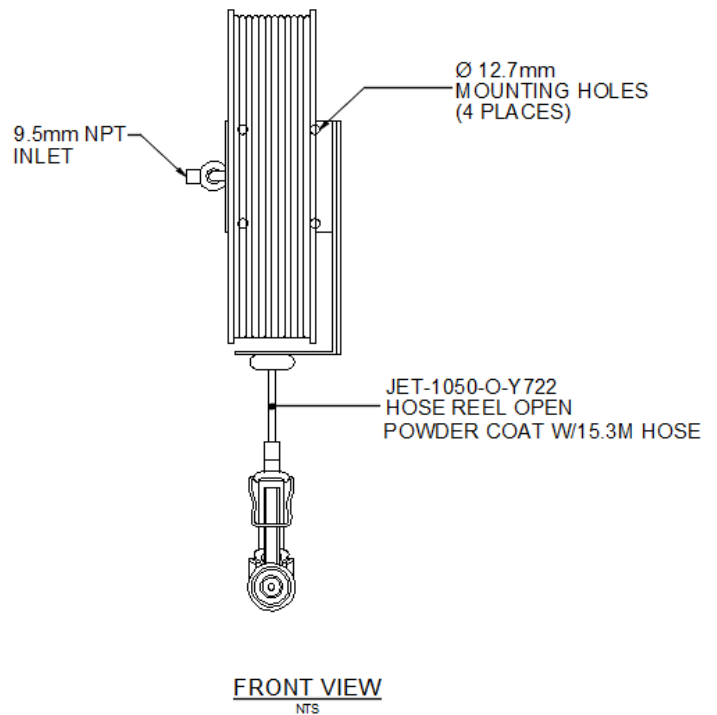
HEAVY DUTY HOSE REELS



TOP VIEW



SIDE VIEW



FRONT VIEW

FEATURES INCLUDE:

- Grey Powder Coated

- 15.3m Hose supplied

- Y722 spray gun

- 22Kg of shipping weight

- Open Hose Reel Assembly

- Can be ceiling or wall mounted

- Positive latch mechanism holds hose at desired length.

Jetstream Plumbing Heavy Duty Retractable Hose Reels are manufactured to commercial grade standards with heavy gauge steel construction and springs/latches for reliable operation. Available in various hose lengths as well as stainless steel option (kHR 1035 Models). Positive latch system holds hose at desired length. Wall, ceiling or floor mount. All hoses are suitable for up to 82 degree celcius and up to 500kpa. On-site 13 month warranty* on parts and labour.