



Project _____

Item # _____

Quantity _____

R-290 Drop-In Frost Tops

Models: FTBP-1, -2, -3
FTBP-S2, -S3

Hatco R-290 Drop-In Frost Tops use an environmentally friendly R-290 refrigerant to keep pre-chilled beverages, snacks, hors d'oeuvres and side dishes cool and ready to serve. The frost tops are also available in a slim configuration. They are placed lengthwise to allow for easy, reachable access to products.

Standard features

- Available in 1-, 2- and 3-pan models, as well as 2- and 3-pan slim configurations
- Accommodates full-size and half-size sheet pans
- NSF 7 component approved cold wall construction utilizes an environmentally friendly refrigerant that keeps food product cold without drying it out
- Condenser utilizes environmentally friendly R-290 refrigerant
- Auto-defrost is activated through an advanced electronic controller programmed at the customer location
- 1" brass drain (excluding FTBP-1)
- Electronic adjustable temperature control is available to mount on either side of the condensing unit or remotely mounted up to 4' (1219 mm) from the unit (cannot be mounted over the condensing coil)



Accessories

- Half-Size Pan (18"W x 13"D [457 x 330 mm])
- Full-Size Pan (18"W x 26"D [457 x 660 mm])



R-290 Drop-In Frost Tops

Models: FTBP -1, -2, -3, -S2, -S3

Ordering Instructions:

Please specify the following with each order:

1. Desired Voltage:

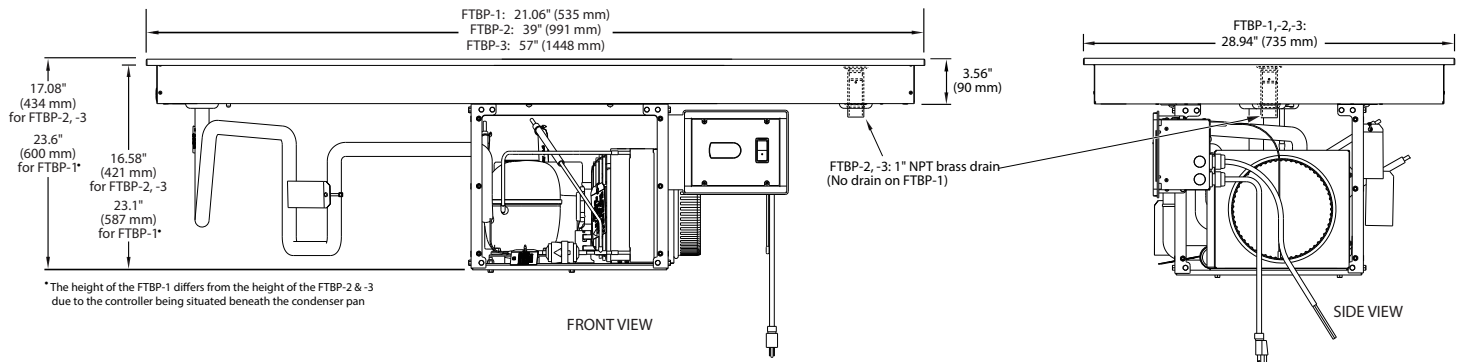
120 or 220-240V

2. Number of Full-Size

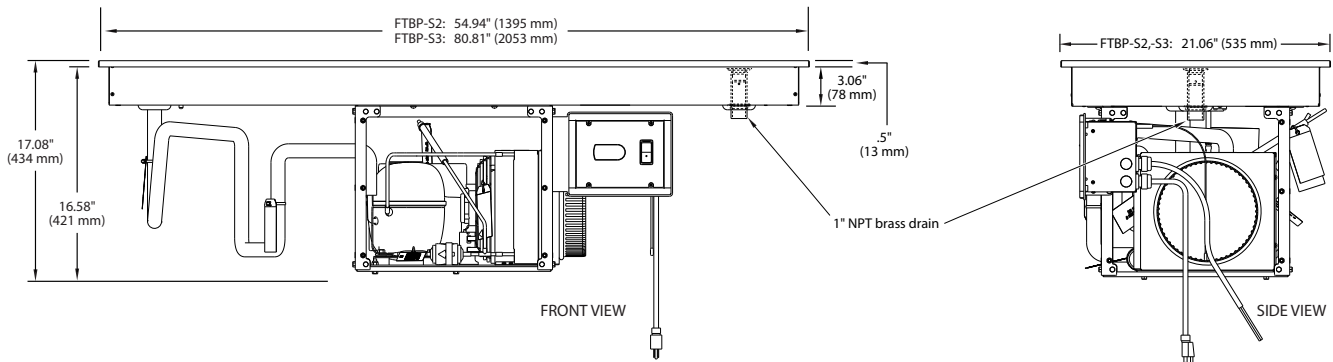
Sheet Pans Accommodated:

1-, 2-, 3-pan as rectangular, sheet pans with Slim or Standard configuration

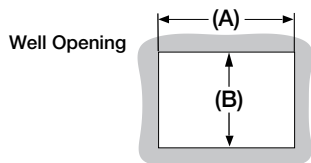
Model FTBP-1, -2, -3



Model FTBP-S2, -S3



Cutout Dimensions for R-290 Drop-In Frost Tops



Model	Minimum Width (A)	Maximum Width (A)	Minimum Depth (B)	Maximum Depth (B)
FTBP-1	19.44" (494 mm)	20.125" (511 mm)	27.5" (699 mm)	28.125" (714 mm)
FTBP-2	37.375" (949 mm)	38" (965 mm)	27.31" (694 mm)	28" (711 mm)
FTBP-3	55.375" (1407 mm)	56" (1422 mm)		
FTBP-S2	53.31" (1354 mm)	54" (1372 mm)	19.44" (494 mm)	20.125" (511 mm)
FTBP-S3	79.19" (2011 mm)	79.875" (2029 mm)		



R-290 Drop-In Frost Tops

Models: FTBP-1, -2, -3, -S2, -S3

SPECIFICATIONS R-290 Drop-In Frost Tops

The shaded areas contain electrical information for International models

Model†	Dimensions (Width x Depth x Height)	Voltage	HZ	HP Compressor Size	Watts	Amps	Phase	Plug	Total Heat of Rejection (BTU/Hr)	Approx. Ship Weight
FTBP-1	21.06" x 28.94" x 23.60" (535 x 735 x 600 mm)	120	60	1/5	345	5.2	Single	NEMA 5-15P	1441	132 lbs. (60 kg)
		220/230/240	50	1/3	333/364/396	3.0/3.2/3.3		BS-1363, CEE 7/7, AS 3112	1615	
			60							
FTBP-2	39" x 28.94" x 17.08" (991 x 735 x 434 mm)	120	60	1/5	345	5.2		NEMA 5-15P	1681	170 lbs. (77 kg)
		220/230/240	50	1/3	333/364/396	3.0/3.2/3.3		BS-1363, CEE 7/7, AS 3112	1855	
			60							
FTBP-3	57" x 28.94" x 17.08" (1448 x 735 x 434 mm)	120	60	1/5	345	5.2		NEMA 5-15P	1921	213 lbs. (97 kg)
		220/230/240	50	1/3	333/364/396	3.0/3.2/3.3		BS-1363, CEE 7/7, AS 3112	2095	
			60							
FTBP-S2	54.94" x 21.06" x 17.08" (1395 x 535 x 434 mm)	120	60	1/5	345	5.2		NEMA 5-15P	1681	182 lbs. (83 kg)
		220/230/240	50	1/3	333/364/396	3.0/3.2/3.3		BS-1363, CEE 7/7, AS 3112	1855	
			60							
FTBP-S3	80.81" x 21.06" x 17.08" (2053 x 535 x 434 mm)	120	60	1/5	345	5.2	NEMA 5-15P	1921	239 lbs. (108kg)	
		220/230/240	50	1/3	333/364/396	3.0/3.2/3.3	BS-1363, CEE 7/7, AS 3112	2095		
			60							

† Models shipped with electronic temperature control, and condensing unit includes a compressor and filter-drier

R-290 REFRIGERANT OPERATING SPECIFICATIONS IN 75°F (24°C) AMBIENT



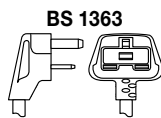
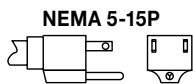
Refer to the Installation section in the Installation and Operating Manual on the Hatco website

- Suction Pressure: 13-23 PSIG (0.9-1.6 Bar)
- Discharge Pressure : 140-180 PSIG (9.7-12.4 Bar)
- Superheat: 4-10° F (2.2-5.6° C)
FTBP-1, -2, -3, FTBP-S2, FTBP-S3
- Subcooling: 5-10° F (2.8-5.6° C)
FTBP-1, -2, -3, FTBP-S2, FTBP-S3

RECOMMENDED FACTORY FILL RATES FOR R-290 REFRIGERANT

Model	Fill Weight	Model	Fill Weight
FTBP-1	3.4 oz. (0.1 kg)	FTBP-S2	4.1 oz. (0.12 kg)
FTBP-2	4.1 oz. (0.12 kg)	FTBP-S3	4.6 oz. (0.13 kg)
FTBP-3	4.6 oz. (0.13 kg)		

PLUG CONFIGURATIONS



PRODUCT SPECS R-290 Drop-In Frost Tops

The R-290 Drop-In Frost Top shall be a Model ... as manufactured by the Hatco Corporation, Milwaukee, WI 53234 U.S.A.

The Frost Top shall be rated at ... watts, ... volts and be ... inches (millimeters) in overall width. It shall utilize R-290 refrigerant and consist