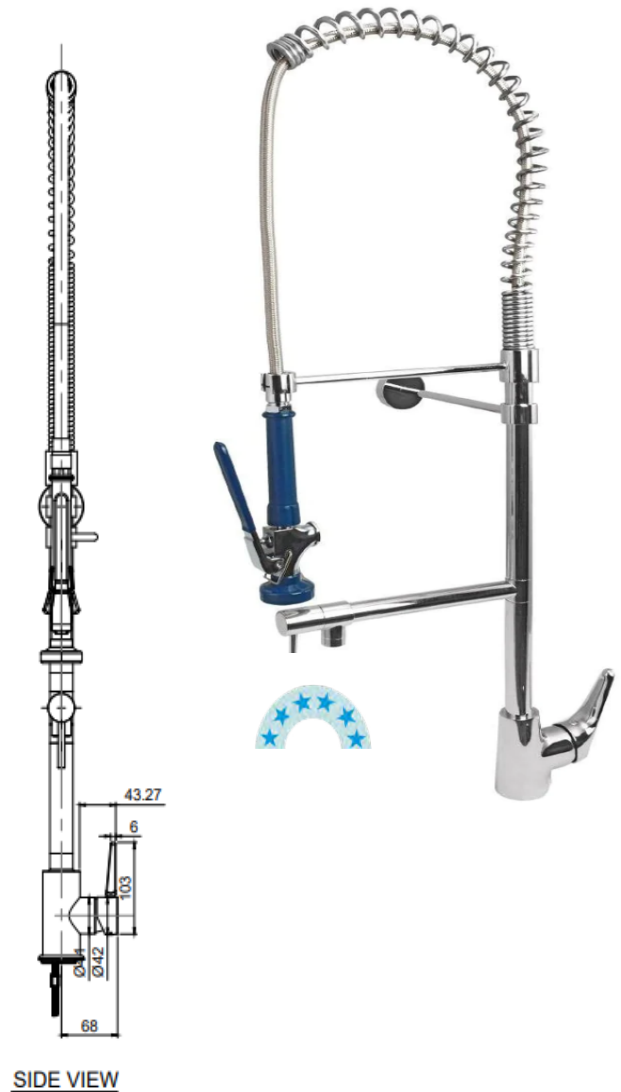
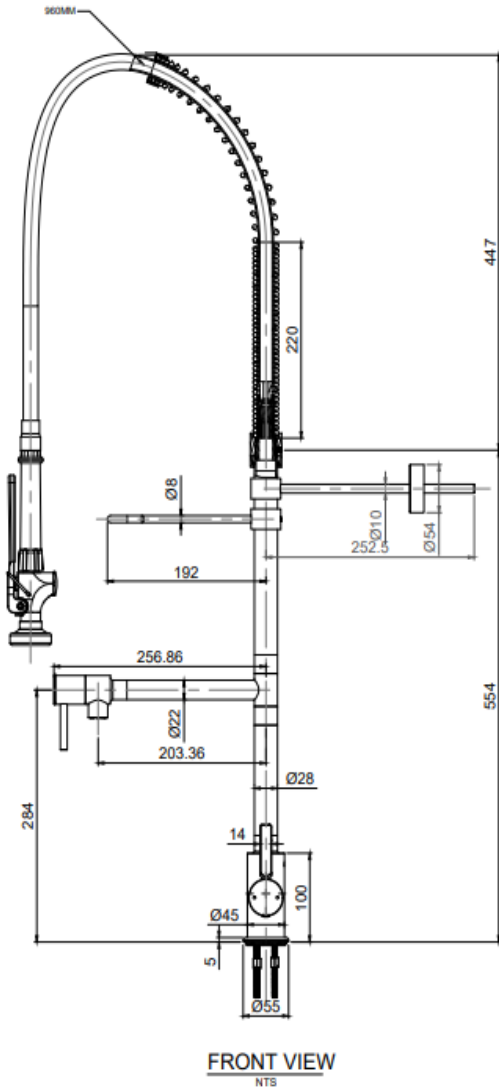




**FIVE YEAR ON-SITE WARRANTY**



**FEATURES INCLUDE:**

- Deck mount Pre Rinse,
- Complete with all bracket
- 256mm swing faucet
- Single lever flow and temperature control
- 6 Star rated spray gun
- 4 Star rated pot filler
- Single hole mount
- Overall height: 960-1030 mm
- Hose length 845mm
- Operating water pressure Min 50kpa, Max 350kpa.

The **Jetstream Plumbing** range of quality tapware and pre-rinse units heralds a new era of reliable, quality tapware to the Australian market with an industry leading **FIVE YEAR** on-site parts and labour warranty\* – designed by professionals with the features you would expect for your kitchen.